

# BUNN®

## BTX ThermoFresh® Coffee Brewer



**Model BTX**

### Features

#### 10 Cup Home ThermoFresh Brewer

BUNN brewing perfection with the convenience and consistency of a thermal carafe. Coffee lovers can have hot fresh coffee ready to pour anywhere without overheating.

- Stainless steel vacuum insulated carafe keeps coffee hot without overheating
- Unbreakable double wall carafe is dishwasher safe
- Convenient close-and-brew lid
- No warmer needed
- Brews ten cups of perfect coffee in 3 minutes
- Produces exceptional, cafe quality coffee
- Stainless steel tank holds ready-to-brew hot water
- Internal thermostat keeps water at ideal brewing temperature
- Patented sprayhead design improves coffee flavor extraction
- Vacation switch turns tank heat off
- Decanter holds 50 ounces (10 cups)
- High altitude models available
- Color: Black with stainless

For current specification sheets and other information, go to [www.bunn.com](http://www.bunn.com) or call your BUNN sales representative.

**Nothing brews like a BUNN.**

BUNN Paper Filters



Thermal Carafe



BCG Coffee Grinder



Model	Agency Listing	International Model	Agency Listing
BTX-B	UL	No International Model	

Patents Apply

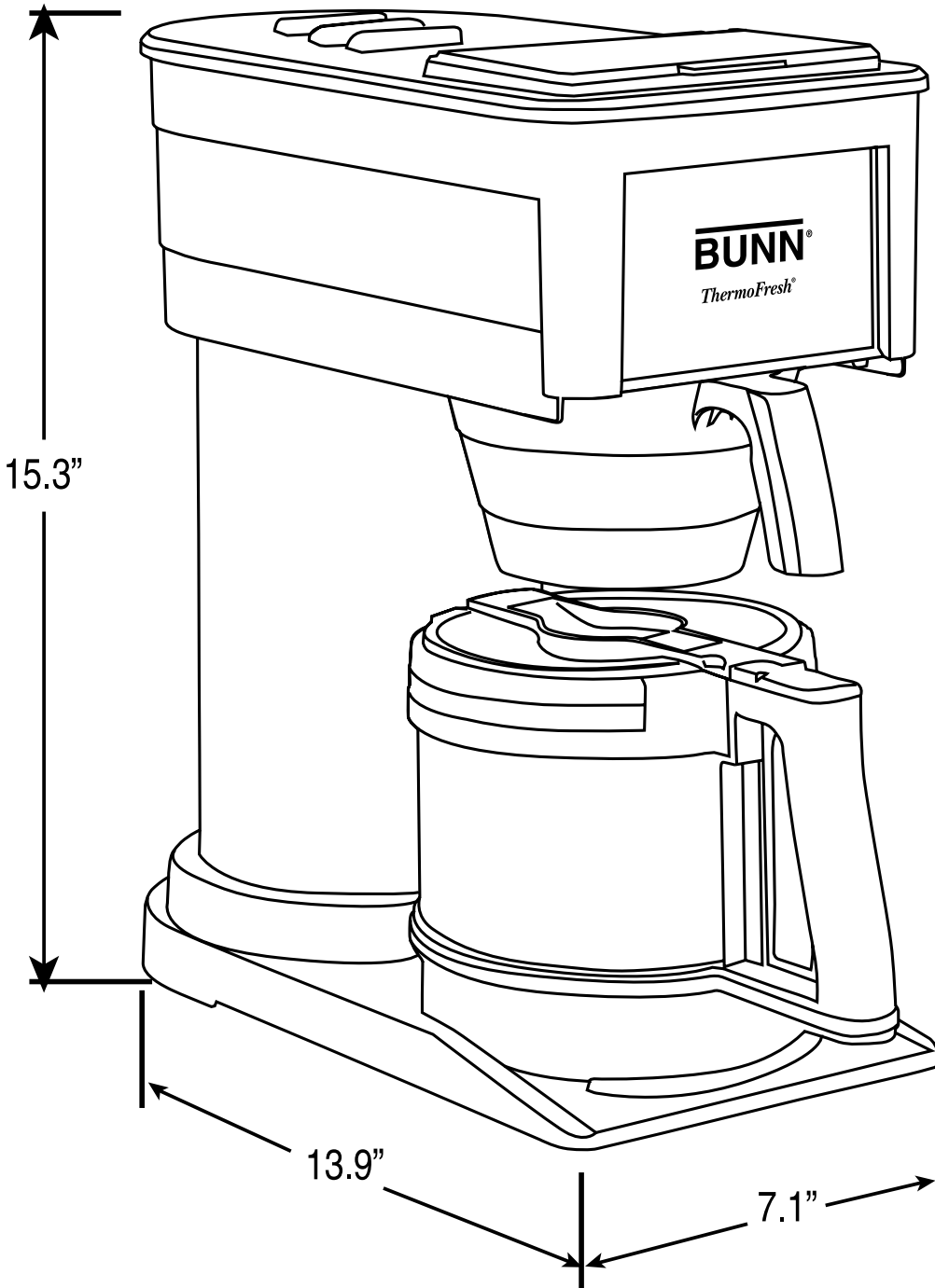
1/06

R6

## Dimensions & Specifications

Model	Volts	Amps	Tank Heater Watts	Total Watts	Brewing Capacity	Shipping Weight
BTX-B (Black)	120	7	800	900	50 oz.(10 cups)	7.8 lbs. (3.5 kg)

Electrical: Model has attached cordset and requires 2-wire grounded service rated 120V, single phase, 60 Hz.



BUNN Corporation - 1400 Stevenson Drive Springfield, Illinois 62703 • 800-637-8606 • 217-529-6601 • Fax 217-529-6644 • [www.bunn.com](http://www.bunn.com)

BUNN® practices continuous product research and improvement. We reserve the right to change specifications and product design without notice. Such revisions do not entitle the buyer to corresponding changes, improvements, additions or replacements for previously purchased equipment.

All dimensions shown in inches. Bunn Corporation owns all copyrights relating to materials in this publication. Please contact Bunn Corporation to request permission to reproduce any portion of this publication.