

## INSULATED HEATED STAINLESS STEEL BANQUET CABINET MODEL EB-120

### FEATURES AND BENEFITS:

- Fully insulated banquet cabinet designed to transport and hold up to (120) 11" plated covered meals.
- Lower height cabinet for better vision during transport.
- Supplied with three heavy-duty wire grid shelves spaced on 16-1/2" centers.
- Bottom mount power unit lifts out for easy cleaning of the inside of the cabinet.
- Standard 1500 Watts, 120 Volts, 15 Amps. Provides quick heat up to 200°F (93°C).
- Stainless steel construction throughout for ease of cleaning.
- Bridge handles made of impact and scratch resistant material on both sides of cabinet.
- One piece welded base with perimeter bumper provides solid foundation to support heavy loads.
- Heavy duty 6" wheels, two swivel with brakes. Rolls easily, even over carpeted surfaces. Staggered mounting provides mobility when fully loaded especially over uneven surfaces.
- Magnetic grease board included.
- Many accessories and options to best fit your needs.



EB-120  
(Shown with accessory options)

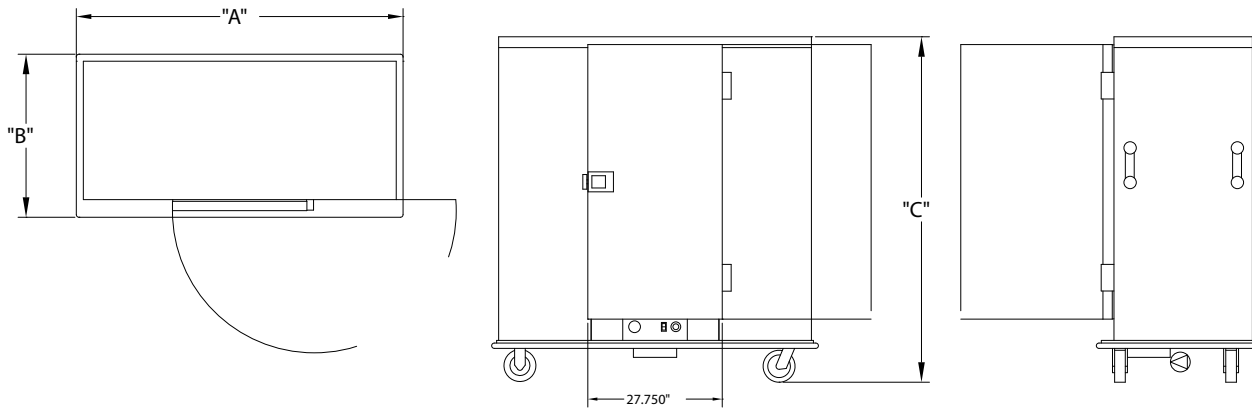


### ACCESSORIES and OPTIONS

(Available at extra cost, contact factory for pricing):

- Gravity Transport Latch
- Humidity Pan
- Sterno Drawers
- Top Rails With Anti-Skid Mats
- Drop Handle
- Adjustable Shelves
- Tow Package
- Pigtail Coil Cord (120 Volt)
- 6" Polyurethane Caster
- 8" Cushion Caster
- 8" Polyurethane Caster
- 208/240 Volt Service

See page F-4 for accessory details.



CRES COR MODEL NO.	MEAL CAPACITY COVERED PLATE DIA.			DIM "A"	DIM "B"	DIM "C"		INSIDE DIMENSIONS*			WEIGHT ACT.	
	11"	12"	13"	WIDTH	DEPTH	HEIGHT		WIDTH	DEPTH	HEIGHT		
EB-120	120	96	60	62-3/4	30-5/8	55-7/8	IN	55-11/16	22-15/16	46	LB	370
				1595	780	1420	MM	1415	585	1170	KG	168
EB-120 w/Tow Package	120	96	60	68-1/4	30-5/8	55-7/8	IN	55-11/16	22-15/16	46	LB	375
				1735	780	1420	MM	1415	585	1170	KG	170

\*Door opening 26-1/2 X 42 (675 X 1065).  
Capacity based on covered plate dia. with nesting height of 3" for plate and cover.

**CABINET:**

- Body: 20 ga. stainless steel.
- Reinforcement: Internal framework of 14 ga. Aluminized steel.
- Insulation: Fiberglass, thermal conductivity (K factor) is .23 at 75°F. 1-1/2" in back wall, side walls, door; 2" in top.
- Bridge Handles (2): Impact and scratch resistant material.

**BASE:**

- One piece construction, .190 aluminum, welded.
- Casters: 6" dia., rubber tires, 2-1/8" wide, load cap. 450 lbs. each, temp: 120°F continuous. Zerk fittings in hub. Two rigid type; two swivel type equipped with brakes.
- Perimeter bumper: Gray, non-marking rubber, 1 x 1.

**DOORS:**

- Formed 20 ga. magnetic stainless steel.
- Latches: Polished stainless steel, slam type; mounted inboard.
- Door gaskets: Perimeter type, silicone.
- Hinges: 11 ga. stainless steel, butt type.

**SHELVES:**

Three shelves. Each shelf made up of nickel chrome plated heavy duty wire grids. Three wire grids total. Shelves fixed on 16-1/4" (420 mm) centers. 15.75" clearance between shelves. 7-3/8" clearance for top shelf.

**HOT UNIT COMPONENTS:**

- Removable without tools.
- Body: Formed 20 ga. non-magnetic stainless steel
- Thermostat: Electro-mechanical, ambient to 200°F (93°C).
- Thermometer: Analog type.
- Switch: ON-OFF rocker type, lighted
- Power cord: Permanent, 10 ft., 14/3 ga. with molded plug.
- Heater (1): 1500 Watt.
- Blower motor.

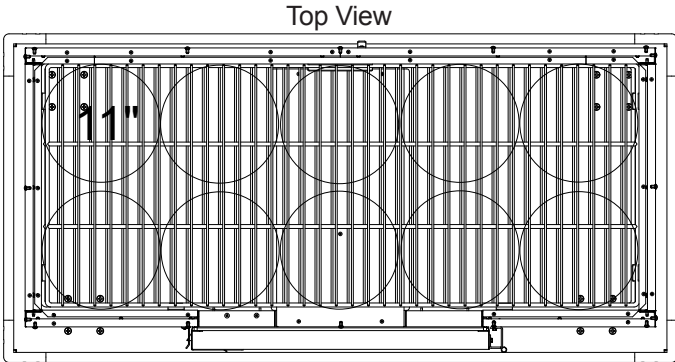
**POWER REQUIREMENTS:**

- 1500 Watts, 120 Volts, 60 Hz., single phase, 13.8 Amps., 15 Amp. service.

**SHORT FORM SPECIFICATIONS**

Cres Cor Heated Banquet Cart Model EB-120. Removable 20 ga. stainless steel bottom mounted power unit, 1500 Watts, 120 Volts, 60 Hz, single phase, 15 Amp service. Cabinet 20 ga. stainless steel, Aluminized steel internal frame. Fiberglass insulation in sides 2", back, door and base 1-1/2". Bridge handles made of impact and scratch resistant material. Three fixed shelf positions with nickel chrome plated wire grids. Capacity 120 covered meals. Base one piece .190 aluminum, welded and finished, perimeter bumper. Six inch cushion balloon casters with zerk fittings. Load capacity 450 lbs. each. 2-Year parts / 1-Year labor warranty. Provide the following accessories: \_\_\_\_\_ . CSA-US, CSA-C and CSA to NSF4 listed.

*In line with its policy to continually improve its products, CRES COR reserves the right to change materials and specifications without notice.*



11" Covered Plate Configuration stacked two shelves 5 high, and one shelf 2 high.



Scan QR code to view Spec Sheet, Operating Manual, Wiring Diagram or to call Customer Service.

If you need a QR reader visit your App Store on your Smartphone or Tablet.



5925 Heisley Road • Mentor, OH 44060-1833  
Phone: 877/CRES COR • Fax: 440/350-7267  
www.crescor.com