



# VITROCERAMIC INFRARED CONCEPT

## VITRO SPEED GRILLS (VG)

- Ideal for out-front display cooking, banquets, catering, and room service
- Faster preheat and cook times - EASY to CLEAN
- Highly portable and convenient operation
- Rapid cooking with combined infrared radiant and contact heat
- Heavy duty vitroc ceramic cooking plates available with ribbed top/smooth bottom or smooth top/smooth bottom
- Non-porous plate surface assures easy cleaning and prevents carbon build up
- Perfectly counterbalanced top plate effectively accommodates wide range of food products
- Thermostatically controlled up to 570°F with fast preheating and even heat distribution
- Stainless steel body with front grease drawer
- Extra high power output on 208/240V models
- Robust heavy-duty construction
- Three position electronic timer
- Toasting Collar creates a heat chamber to reduce toasting, warming and cooking times

### PANINI-VG

208/240 V



120 V

### DIABLO-VG

208/240 V



### TOASTING COLLAR



\*speeds up toasting, warming and cooking  
 \*removable for easy cleaning

### PVG400

120 V



\*internal drip tray  
 \*temperature up to 570°F



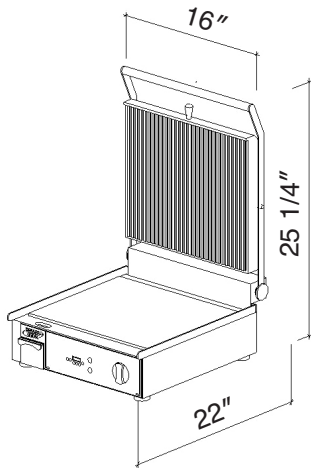
100 NIANTIC AVENUE; SUITE 104 PROVIDENCE, RI 02907  
 TEL: (401)273-3300 FAX: (401)273-3328 E-mail: sales@equipex.com  
 www.equipex.com



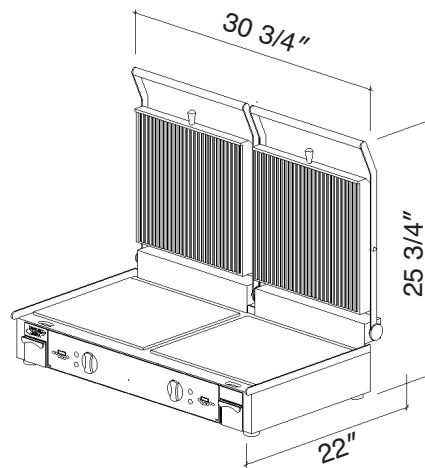


# INFRARED PANINI PRESSES & GRIDDLE

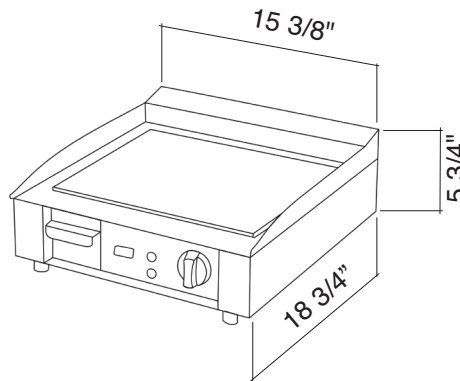
## PANINI-VG



## DIABLO-VG



## PVG 400



## SPECIFICATIONS

INSTALLATION CLEARANCE: 2" EACH SIDE

| MODEL     | ELECTRICAL   | DIMENSIONS                | WORK SURFACE      | SHIPPING WEIGHT | NEMA           |
|-----------|--|---------------------------|-------------------|-----------------|----------------|
| PANINI VG | 120V, 1PH, 1.75KW, 14Amps<br>208/240V, 1PH, 3.0KW, 12/14Amps | 16"Wx22"Dx25 1/4"H        | 13 1/4"Wx12"D     | 50 lbs          | 5-15P<br>6-20P |
| DIABLO VG | 208/240V, 1PH<br>6.0KW, 22/25Amps                            | 30 3/4"Wx22"Dx25 3/4"H    | (2) 13 1/4"Wx12"D | 68 lbs          | 6-50P          |
| PVG 400   | 120V, 1PH<br>1.75KW, 14Amps                                  | 15 3/8"Wx18 3/4"Dx5 3/4"H | 13"Wx12"D         | 21 lbs          | 5-15P          |

**WARRANTY: Limited one year parts and labor**



100 NIANTIC AVENUE; SUITE 104 PROVIDENCE, RI 02907  
 TEL: (401)273-3300 FAX: (401)273-3328 E-mail: sales@equipex.com  
 www.equipex.com