



# THE G5™



Project \_\_\_\_\_

Item No. \_\_\_\_\_

Quantity \_\_\_\_\_

### PERFORMANCE

The G5 is the first TurboChef multi-shelf oven, integrating patented convection and microwave technologies. The G5 offers increased throughput from the world leader in rapid-cook technology.

### EXTERIOR CONSTRUCTION

- 304 stainless steel side panels
- 430 stainless steel door
- Single-stage, locking door handle for added safety

### INTERIOR CONSTRUCTION

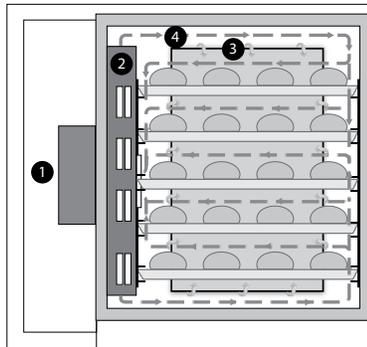
- 316 stainless steel interior
- Fully welded and insulated cook chamber
- Removable baffle for easy cleaning

### STANDARD FEATURES

- Simple and intuitive touch controls
- Reversible fan controls
- Menu mode with up to 19,440 unique cooking profiles
- Manual mode with microwave assist for on-the-fly cooking
- Cook compensation feature to help ensure even cooking
- USB menu updates and firmware flashing
- Smart Voltage Sensor Technology\* (U.S. only)
- Includes plug and cord (6 ft. nominal)
- Warranty – 1 year parts and labor

### COMES WITH STANDARD ACCESSORIES

- 5 Cooking Racks (G5-9168)
- 1 Bottle Oven Cleaner (103180)
- 1 Bottle Oven Guard (103181)
- 2 Trigger Sprayers (103182)

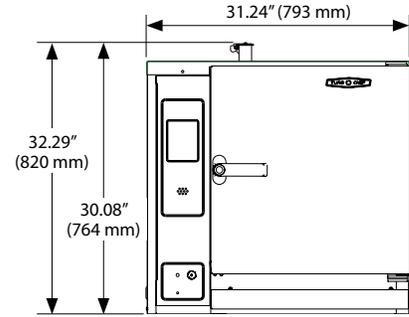
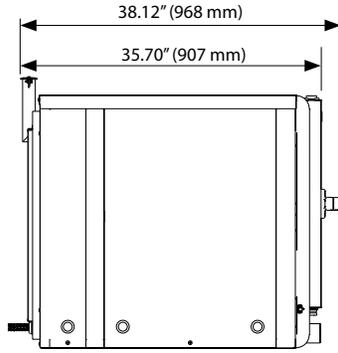


1. Blower Motor
2. Removable Convection Baffle
3. Microwave
4. Inlet Air



\* Smart Voltage Sensor Technology does not compensate for lack of or over voltage situations. It is the responsibility of the owner to supply voltage to the unit according to the specifications on the back of this sheet.

TurboChef reserves the right to make substitutions of components or change specifications without prior notice.



DIMENSIONS		
Height	30.08"	764 mm
with vent tube	32.29"	820 mm
Width	31.24"	793 mm
Depth	35.70"	907 mm
with handle	38.12"	968 mm
with door open	57.12"	1451 mm
Weight	475 lb.	215 kg
Cook Chamber		
Height (min/max)	3.25" per shelf / 18"	83 mm per shelf / 457 mm
Width	15"	381 mm
Depth	21"	533 mm
Volume (min/max)	0.59 cu.ft. per shelf / 3.28 cu.ft.	16.7 l per shelf / 92.88 l
Cooking Rack		
Width	14.6"	371 mm
Depth	18.1"	460 mm
Max Food Height	17"	432 mm
Wall Clearance (Oven not intended for built-in installation)		
Top	2"	51 mm
Sides	2"	51 mm
ELECTRICAL SPECIFICATIONS - USA		
G5-9500-1-DL		
Phase	3 Phase	<p>NEMA 15-50P</p>
Voltage	208/240 VAC	
Frequency	50/60 Hz	
Current Draw	42 - 45 Amp	
Supply	4 Wire	
Breakers	50 Amp	
ELECTRICAL SPECIFICATIONS - CANADA		
G5-9500-2-ED		
Phase	3 Phase	<p>IEC 309, 4-pin, 63 A</p>
Voltage	220 - 240 VAC	
Frequency	50/60 Hz	
Current Draw	45 Amp	
Supply	4 Wire	
Breakers	50 Amp	

ELECTRICAL SPECIFICATIONS - INTERNATIONAL		
G5-9500-3-EW		
Phase	3 Phase	<p>IEC 5 Pin, 32 Amp</p>
Voltage	380 - 415 VAC	
Frequency	50/60 Hz	
Current Draw	20 Amp	
Supply	5 Wire	
Breakers	32 Amp	

ELECTRICAL SPECIFICATIONS - AUSTRALIA		
G5-9500-4-AU		
Phase	3 Phase	<p>Clipsal, 5-pin</p>
Voltage	380 - 415 VAC	
Frequency	50/60 Hz	
Current Draw	20 Amp	
Supply	5 Wire	
Breakers	32 Amp	

SHIPPING INFORMATION	
All ovens are packaged in a double-wall corrugated box inside a wooden crate.	
Box size: 39.125" (994 mm) x 44.125" (1121 mm) x 59.125" (1502 mm)	
Crate size: 45" (1143 mm) x 41" (1041 mm) x 64" (1626 mm)	
Item class: 85 NMFC #26770 HS code 8419.81	
Approximate boxed weight: 475 lb (215 kg)	
Approximate crated weight: 610 lb (277 kg)	
Minimum entry clearance required for box: 39.625" (1006 mm)	
Minimum entry clearance required for crate: 41.5" (1054 mm)	

TurboChef recommends installing a type D circuit breaker for all installations.

**TurboChef Global Operations**  
 4240 International Pkwy, Suite 105 / Carrollton, Texas 75007 USA  
 US: 800.90TURBO (800.908.8726) / International: +1 214.379.6000  
 Fax: +1 214.379.6073 / turbochef.com