



**TRUE FOOD SERVICE EQUIPMENT, INC.**

2001 East Terra Lane • O'Fallon, Missouri 63366-4434 • (636)240-2400  
 Fax (636)272-2408 • Toll Free (800)325-6152 • Intl Fax# (001)636-272-7546  
 Parts Dept. (800)424-TRUE • Parts Dept. Fax# (636)272-9471 • www.truemfg.com

Project Name: \_\_\_\_\_

Location: \_\_\_\_\_

Item #: \_\_\_\_\_ Qty: \_\_\_\_\_

Model #: \_\_\_\_\_

A/A #

SIS #

Model:  
**TAC-48SM-LD**

**Vertical Air Curtains:**  
*Specialty Merchandiser Refrigerator with LED Lighting*



**TAC-48SM-LD**

- ▶ True's air curtain merchandisers are designed with enduring quality that protects your long term investment.
- ▶ Designed using the highest quality materials and components to provide the user with colder product temperatures and lower utility costs in an attractive merchandiser that brilliantly displays food and beverages.
- ▶ Large, open front allows easy access to display levels and places maximum attention on merchandising.
- ▶ Oversized, factory balanced, refrigeration system holds 35°F to 40°F (1.6°C to 4.4°C).
- ▶ Patented reversing condenser fan motors. Fan motors reverse during defrost off cycles to help keep condenser coil free from dirt, dust and debris, between regularly scheduled thorough cleaning of coils. Keeping coils clean optimizes the unit's performance providing colder holding temperatures and increased energy efficiency.
- ▶ Exterior - powder coated cold rolled steel decorative cabinet end caps and sides with matching high-impact styrene grill and flat profile sign panel. Double pane tempered glass sides with plexiglass Lower front. Durable and break resistant, maximizes product visibility.
- ▶ White aluminum interior and stainless steel floor and deck pans.
- ▶ Four (4) white cantilever shelves, adjustable for up to 15° tilt in 5° increments.
- ▶ LED interior lighting provides more even lighting throughout the cabinet. Safety shielded.
- ▶ Entire cabinet structure is foamed-in-place using a high-density, polyurethane insulation that has zero ozone depletion potential (ODP) and zero global warming potential (GWP).

**ROUGH-IN DATA**

Specifications subject to change without notice.  
 Chart dimensions rounded up to the nearest 1/8" (millimeters rounded up to next whole number).

Model	Shelves	Cabinet Dimensions (inches) (mm)			HP	Voltage	Amps	NEMA Config.	Cord Length (total ft.) (total m)	Crated Weight (lbs.) (kg)
		L	D	H						
TAC-48SM-LD	4	48½ 1232	30⅞ 785	80⅞ 2055	1½ N/A	208/230/60	8.0 N/A	6-15P	6.5 1.98	560 254

Requires 208-230/60 Hz, single phase, NEMA 6-15R.



APPROVALS:

AVAILABLE AT:

Model:  
**TAC-48SM-LD**

**Vertical Air Curtains:**  
*Specialty Merchandiser Refrigerator with LED Lighting*



**STANDARD FEATURES**

**DESIGN**

- Designed using the highest quality materials and components to provide the user with colder product temperatures and lower utility costs in an attractive merchandiser that brilliantly displays packaged food and beverages.

**REFRIGERATION SYSTEM**

- Factory engineered, self-contained, capillary tube system using environmentally friendly (CFC free) R404A refrigerant.
- Time-initiated, time-terminated off cycle defrost system.
- Extra large evaporator coil and condenser balanced with higher horsepower compressor; maintains cabinet temperatures of 35°F to 40°F (1.6°C to 4.4°C) for the best in food preservation.
- Sealed, self-lubricating evaporator fan motors.
- Bottom mounted condensing unit positioned for easy maintenance.
- Patented reversing condenser fan motors. Fan motors reverse during defrost off cycles to help keep condenser coil free from dirt, dust and debris, between regularly scheduled thorough cleaning of coils. Keeping coils clean optimizes the unit's performance providing colder holding temperatures and increased energy efficiency.

**CABINET CONSTRUCTION**

- Exterior - powder coated cold rolled steel decorative cabinet end caps and sides with matching high-impact styrene grill and flat profile sign panel. Double pane tempered glass sides with plexiglass lower front. Durable and break resistant, maximizes product visibility.

- Interior - attractive, NSF approved, white aluminum liner. Stainless steel interior floor and deck pans.
- Insulation - entire cabinet structure is foamed-in-place using a high density, polyurethane insulation that has zero ozone depletion potential (ODP) and zero global warming potential (GWP).
- Welded, heavy duty steel frame rail, black powder coated for corrosion protection.
- Frame rail fitted with leg levelers.
- Illuminated exterior sign panel. Variety of sign options available.

**SHELVING**

- Four (4) white cantilever shelves, adjustable for up to 15° tilt in 5° increments.

**LIGHTING**

- LED interior lighting provides more even lighting throughout the cabinet. Safety shielded.

**MODEL FEATURES**

- Flat profile sign panel made from high impact styrene (HIPS)
- Plexiglass lower front
- Side panels with aluminum pillars
- Listed under NSF-7 for the storage and/or display of packaged or bottled product.

**ELECTRICAL**

- Unit completely pre-wired at factory and ready for final connection to a 208-230V / 60 Hz single phase, 15 amp dedicated outlet. Cord and plug set included.



**RECOMMENDED OPERATING CONDITIONS**

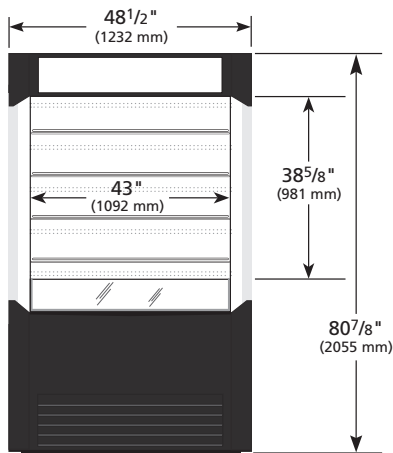
- Designed to operate in an environment where temperature and humidity do not exceed 75°F (24°C) and 55% relative humidity.
- Unit should not be installed near HVAC vents, fans or doorways that will disrupt the air curtain and compromise the function of the cabinet. Unit should not be installed in direct sunlight.
- Model will run most efficiently when completely loaded with product.
- Drain plumbing hookup recommended. Condensate pan heater kit available if there is no access to drain plumbing. Condensate pan heater must be field installed and requires a separate 15 amp, 120V circuit.
- Please be advised Air Curtain models are substantially louder than standard refrigeration models.

**OPTIONAL FEATURES/ACCESSORIES**

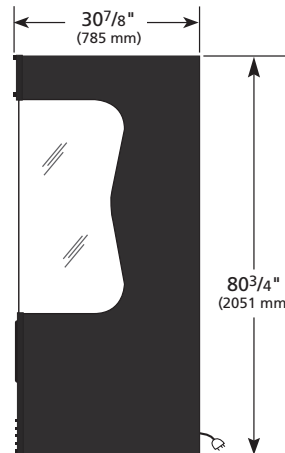
Upcharge and lead times may apply.

- Night shade/night cover
- Product ID strips made from clear PVC
- 2 1/2" (64mm) diameter castors (set of 4).
- Variety of sign panels - see our website for the latest color and sign offerings.
- Black interior liner with black shelves
- Stainless interior
- Additional shelves
- White exterior sides (front of cabinet remains black)

**PLAN VIEW**



ELEVATION



RIGHT VIEW

**WARRANTY\***  
Three year warranty on all parts and labor and an additional 2 year warranty on compressor.  
(U.S.A. only)

METRIC DIMENSIONS ROUNDED UP TO THE NEAREST WHOLE MILLIMETER

SPECIFICATIONS SUBJECT TO CHANGE WITHOUT NOTICE



Model	Elevation	Right	Plan	3D	Back
TAC-48SM-LD					

\*RESIDENTIAL APPLICATIONS: TRUE assumes no liability for parts or labor coverage for component failure or other damages resulting from installation in non-commercial or residential applications.

**TRUE FOOD SERVICE EQUIPMENT**