

Project Name: _____ AIA#: _____

Model #: _____ Location: _____

SIS#: _____ Item #: _____ Quantity: _____



Electric Countertop Pasta Cooker / Boiling Unit

Watch the Pot Boil!

Perfect pasta and more in a pinch with Globe's electric countertop boiling unit. Quality design, durability and performance for great value!



AutoQuotes

Model

GPC16

Standard Features

- 2900/3800W, 208-240V
- Swing-up, locking element for easy cleaning
- Temperature settings from 75°F–215°F
- High limit thermal control with manual reset
- Twin pasta baskets with cool-to-touch insulated handles
- Digital timer
- Attached 4-foot power cord and NEMA plug
- Durable 304 stainless steel construction
- Permanently attached stainless steel boiling pot with front mounted drain
- Heavy-duty nesting bar located on control head for easy basket hanging
- Removable, easy-to-clean control box and element

Warranty

- One year parts and labor

Additional Accessories

Interchangeable baskets:

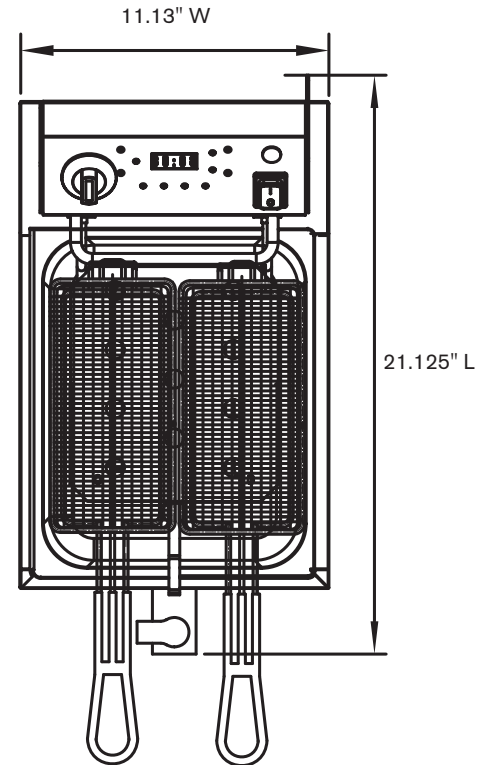
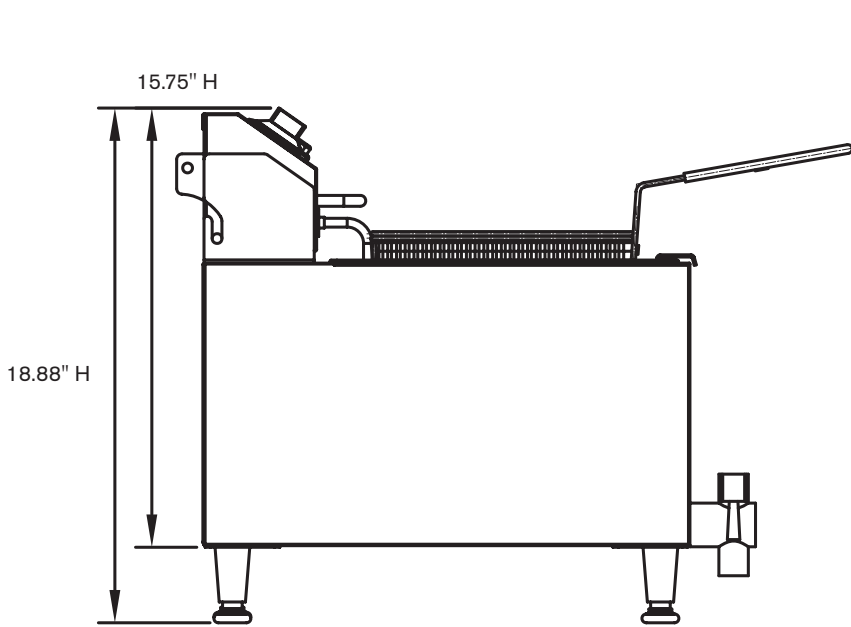
- MINIBASKET - Single serving / (1) small quad basket for the 2 gallon pasta cooker

To select options see back



Approved by: _____ Date: _____

2153 Dryden Rd., Dayton, OH 45439 | 937-299-5493 | 800-347-5423 | Fax: 937-299-4147 | www.globefoodequip.com



For Indoor Use Only

SPECIFICATIONS

- 304 stainless steel construction
- 15 minute digital timer
- Includes 2 fine mesh baskets

- Maximum temperature settings 212°F
- Adjustable foot for leveling unit
- Attached 4 foot power cord and plug

Model	Water Capacity	Thermostat Controls	Preheat to Boiling	Cooking Temps	Voltage	AMPs	Wattage	NEMA Plug Type
GPC16	16 lb	1	21 Min.	75° to 215°F	208/240V	15.8	2900-3800 W	6-20P (1)

IMPORTANT: This item is for boiling foods. Do not attempt to use as a fryer.

STANDARD FEATURES:

Swing Up Element: Heating element and control head swing up for easy access and cleaning of holding pot.

Electronic Timer: Timer has four adjustable timer presets. Adjust in increments of 5 seconds up to 15 minutes.

Front Pot Drain: Easily accessed pot drain located on the front of the pasta cooker for easy removal of water.

Adjustable Feet: Four (4) non-skid feet prevent the unit from sliding on the counter; feet are adjustable for leveling.

Manual Reset: Easily accessed manual reset button located on the back of the control head.

Mesh Basket: Twin (2) fine mesh baskets included. Insulated handles for easy gripping and operator protection. Basket (inner) measurements: 8.75" L x 4.125" W x 5.875" H

DIMENSIONS | SHIPPING INFORMATION

Freight Class 77.5

Model	Overall Dimensions	Net Weight	Shipping Dimensions	Shipping Weight
GPC16	11.13" w x 21.13" d x 18.88" h (cm x cm x cm)	21.6 lbs. (9.8 kg)	23" w x 14" d x 19" h (58.42cm x 35.56cm x 48.26cm)	26 lbs. (11.79kg)