

Project Name: \_\_\_\_\_ AIA#: \_\_\_\_\_

Model #: \_\_\_\_\_ Location: \_\_\_\_\_

SIS#: \_\_\_\_\_ Item #: \_\_\_\_\_ Quantity: \_\_\_\_\_



# Premium Heavy-Duty Automatic Slicer

## Precise - Powerful - Premium Construction

The all-new, heavy-duty S-Series line of premium slicers from Globe delivers **precision, performance, industry-leading convenience, superior cleanability and lasting value.**



S13A

**NEW!** Removable Knife makes cleanup easier while providing more operator protection



### Models

S13A (Standard Model)

### S13A Standard Features

- Patented anodized aluminum design & construction for quick and easy cleaning
- Patent-pending indexing system enables accurate and precise slice thickness adjustment up to 1-1/8"
- 13" steel knife with hardened edge provides quality slices and higher yield
- Tilting carriage accommodates up to 13.75" H, 8" dia., 11" W large products, like prosciutto, mortadella and bacon
- Advanced meat grip design for superior product hold
- 1/2 HP continuous use knife motor combined with the high efficiency knife drive system delivers optimum power
- No Voltage Release prevents inadvertent reactivation of slicer in the event of interlock or power interruption
- Interlock prevents slicer from operating without the knife cover in place
- Variable speed brushless auto mode motor delivers 3ft. lbs. of peak torque
- Patent-pending auto engagement system ensures no slippage
- Lift lever to facilitate ease of cleaning
- Top mounted, removable sharpening system utilizes long-lasting synthetic diamond surfaces and enables quick and easy sharpening and cleaning
- Patent-pending graphic user interface with Clear-Text LCD display provides operator messages, diagnostics and system information in English, Spanish and French
- 2 cut lengths and 2 speeds

### Warranty

- Two year parts and labor
- Lifetime warranty on sharpening stones

### Factory Installed Options

- **NEW!** KNIFE-RMV - Removable Knife includes removal tool
- **NEW!** CARRIAGE-RMV - Removable Carriage
- FRZN - Serrated knife in lieu of standard knife and additional modifications, single speed at 30 strokes per minute
- CORR - Correctional Package
- MEATROOM - High moisture applications (w/ stainless steel knife)
- SSK - Stainless Steel Knife in lieu of Carbon Steel

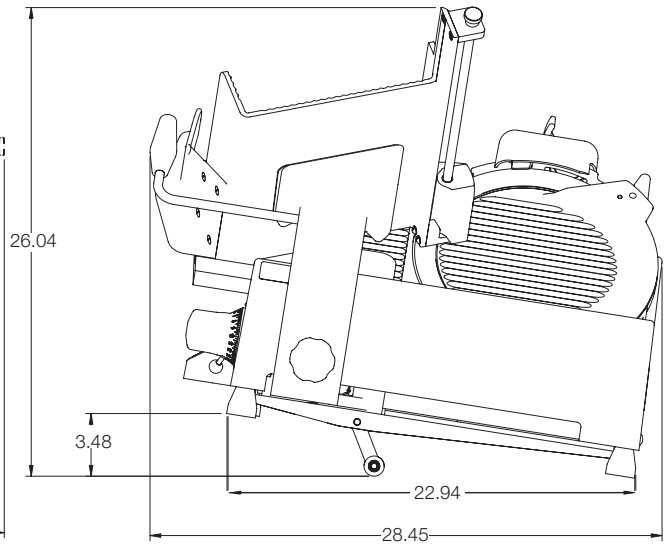
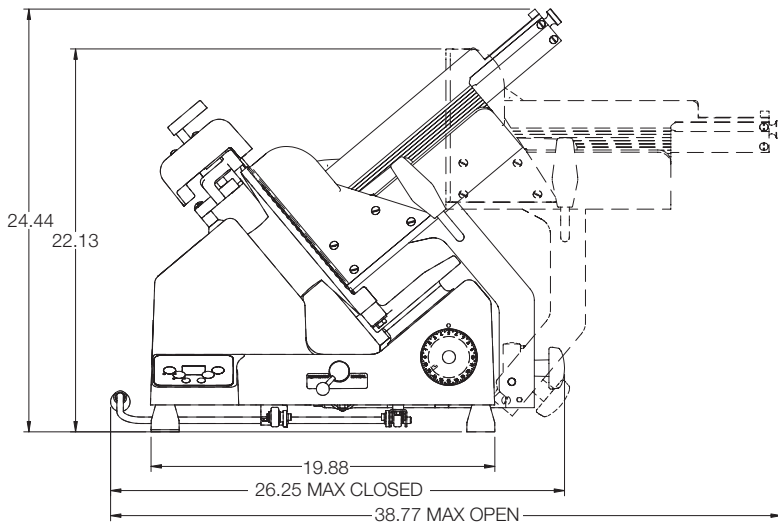
### Optional Accessories

- S-FENCE - Food Fence
- SC-LARGE - Slicer Cover
- S-VEGHOP - Vegetable Hopper
- S-SLAWTRAY - Slaw Tray
- S-LEGS - 2.5" Extension Legs
- S-XDSL A - Extended Warranty

To select factory-installed options and accessories, see back

Approved by: \_\_\_\_\_ Date: \_\_\_\_\_





UNIT: Inches  
 Drawings available through KCL. [www.kclcad.com](http://www.kclcad.com)

**SPECIFICATIONS**

Model	Motor	Volts	Amps	NEMA Plug Type	Drive Type	Slicing Vol. / Day	Cheese Slicing	Blade Diameter	Max Slice	Product Cutting Capacity		
										D (Diameter)	H (Height)	W (Width)
S13A	1/2 HP	115-60-1	2.5	5-15	Poly-V Belt	All Day		13" (33.02 cm)	1-1/8" (2.857 cm)	8" (20.32 cm)	13.75" (35 cm)	11" (27.94 cm)
S13A-05	1/2 HP	220-60-1	1.5	6-15P	Poly-V Belt	All Day		13" (33.02 cm)	1-1/8" (2.857cm)	8" (20.32 cm)	13.75" (35 cm)	11" (27.94 cm)
S13A-07	1/2 HP	220-50-1	1.5	CEE7/7	Poly-V Belt	All Day		13" (33.02 cm)	1-1/8" (2.857cm)	8" (20.32 cm)	13.75" (35 cm)	11" (27.94 cm)

**Cord & Plug:** Attached 7 ft. flexible 3-wire cord with molded plug fits a grounded receptacle. *Please specify desired plug configuration when ordering.*

**DIMENSIONS | SHIPPING INFORMATION**

Reinforced carton for shipping. The weight and dimensions of this reinforced carton are included below and may vary from shipment to shipment. **Shipped on a pallet. Freight class 85.**

Model	Max Overall Dimensions	Net Weight	Shipping Dimensions	Shipping Weight
S13A	38.7" W x 26.7" D x 20.9" H (98.5 cm x 68 cm x 53.1 cm)	127 lbs. (57.61 kg)	31.5" W x 31.5" D x 31.5" H (80 cm x 80 cm x 80 cm)	148 lbs. (67.13 kg)

**FACTORY INSTALLED OPTIONS:**

- NEW!** KNIFE-RMV - Removable Knife includes removal tool
- NEW!** CARRIAGE-RMV - Removable Carriage
- FRZN - Serrated knife in lieu of standard knife and additional modifications
- CORR - Correctional Package
- MEATROOM - High moisture application (w/ stainless steel knife)
- SSK - Stainless steel knife in lieu of Carbon Steel

**OPTIONAL ACCESSORIES:**

- S-FENCE - Food Fence
- S-VEGHOP - Vegetable Hopper
- SC-LARGE - Slicer Cover
- S-SLAWTRAY - Slaw Tray
- S-LEGS - 2.5" Extension Legs
- S-XDSL A - Extended Warranty



KNIFE-RMV



CARRIAGE-RMV

Constructed of anodized aluminum with built-in Clear-Text display/control panel. 1/2 HP motor with overload protection and 13" hardened steel knife. Patent-pending indexing system with slice thickness adjustment up to 1-1/8". Top mounted removable sharpener with synthetic diamond stone wheel and plate. Tilting carriage accommodates up to 13.75" H, 8" dia., 11" W large products. Adjustable cut length and speed. Slicer is ETL listed. No Voltage Release and Knife cover Interlock. Two year parts and labor slicer warranty, lifetime warranty on sharpening stones.