

Follett® Horizon Chewblet ice icemakers are compact, reliable and versatile. Available in both top mount and Satellite-fill™ configurations, Horizon icemakers can fill

- Ice storage bins, ice transport systems, and Ice•Devlce™ chuted bin and cart systems
- Follett Vision™ low-profile ice and beverage dispensers
- Countertop ice and beverage dispensers
- Drop-in dispensers at drive-thrus and server stations
- With the Ice Manager™ diverter valve system, one Horizon icemaker can fill two ice receptacles

Engineered with stainless steel frame and exterior, the Horizon 1000 series icemakers use environmentally friendly R404A refrigerant and are capable of producing up to 1125 lbs (511 kg) of Chewblet compressed nugget ice in a 24-hour period.

Low life cycle cost

- Uses up to 60% less water than cube icemakers
- Rejects up to 30% less heat than typical cuber
- Requires no preventive maintenance other than cleaning

Satellite-fill capability

- Install icemaker up to 75 ft (23 m) away from the bin or dispenser; applications more than 20 ft (6 m) require factory approval
- Improved sanitation, aesthetics, serviceability

Consumer-preferred Chewblet ice

- More reliable dispensing than nugget or pellet ice
- Slow melting, maintains drink temperature and quality
- Drink performance comparable to cubes
- Higher displacement than cube ice

Innovative engineering; unsurpassed reliability

- Horizontally positioned evaporator provides maximum heat transfer for high capacity with compact dimensions
- Unique auger profile design maximizes ice capacity and reduces loads on gearmotor, bearings and seals
- Automatic self-flushing reduces scale build-up
- Easy to read display provides at-a-glance operational status
- Semi-automatic cleaning and sanitizing system lowers maintenance cost
- Quiet operation, no noisy batch harvest cycles

Superior sanitation

- Floatless, sealed design inhibits formation of biofilms
- Aluminum bronze evaporator provides inherent anti-microbial properties

Accessories

- Water filter kit (item# 00130286)
- Wall mount bracket (refer to form# 3311)
- Ice machine stand (refer to form# 3311)
- 35', non-precharged line sets (refer to form# 3311)

Warranty

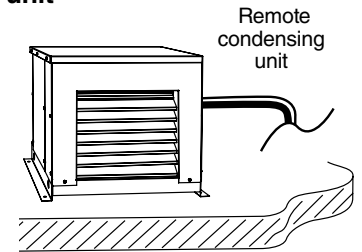
- 3 years parts and labor on all components; 5 year parts on compressor

Horizon 1000 self-contained, with air- or water-cooled condensing unit



Application	Condenser	Top Mount	Satellite-fill
Ice storage bins	air water	HCC1000ABT HCC1000WBT	HCC1000ABS HCC1000WBS
Follett Vision dispensers	air water	not available	HCC1000AVS HCC1000WVS
Ice & beverage dispensers manufactured by others	air water	HCC1000AHT HCC1000WHT (requires Follett Harmony™ top kit.)	HCC1000AHS HCC1000WHS
Drop-in dispensers	air water	not available	HCC1000AJS HCC1000WJS
Ice Manager diverter valve system	air water	not available	HCC1000AMS HCC1000WMS

Horizon 1000 remote with remote air-cooled condensing unit*



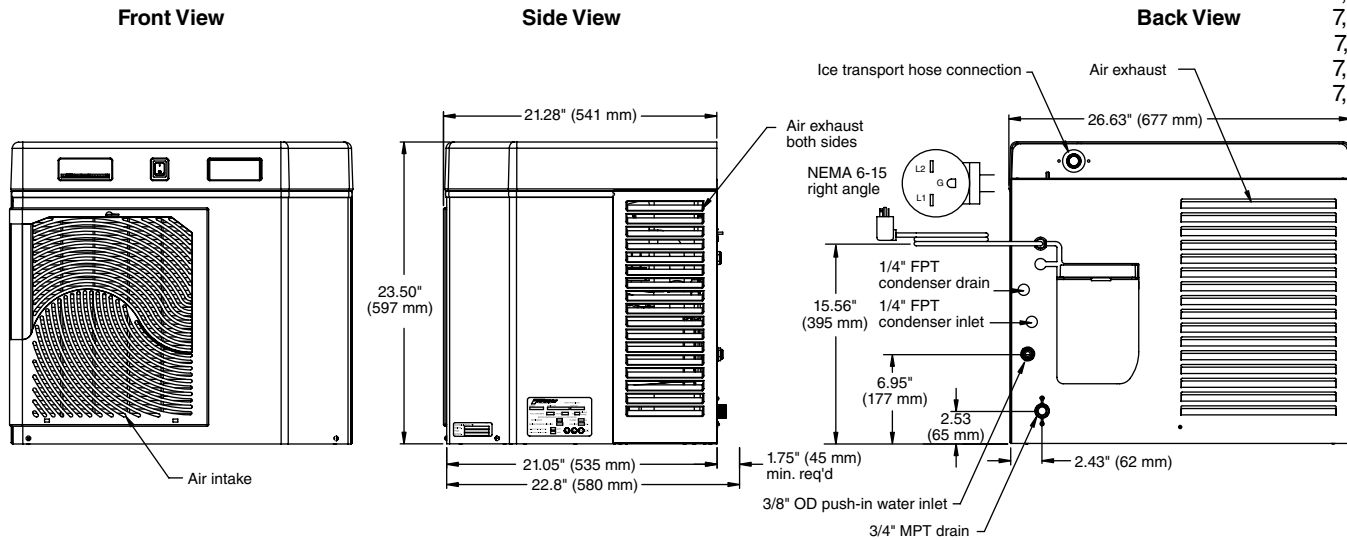
* Available without remote condensing unit for connection to parallel rack system supplied by others

Application	Condenser	Top Mount	Satellite-fill
Ice storage bins	with without	HCD1000RBT HCD1000NBT	HCD1000RBS HCD1000NBS
Follett Vision dispensers	with without	not available	HCD1000RVS HCD1000NVS
Ice & beverage dispensers manufactured by others	with without	HCD1000RHT HCD1000NHT (requires Follett Harmony™ top kit.)	HCD1000RHS HCD1000NHS
Drop-in dispensers	with without	not available	HCD1000RJS HCD1000NJS
Ice Manager diverter valve system	with without	not available	HCD1000RMS HCD1000NMS

Horizon Chewblet ice icemaker - self-contained, air- or water-cooled

HCC1000A
HCC1000W

U.S. Patents
7,263,844
7,096,686
7,322,201
7,409,548
7,469,552



Operating Limits

Ambient air temp. range – 50 F to 100 F (10 C to 38 C).
Water temp. range – 45 F to 90 F (7 C to 32 C).
Potable water pressure – 10 psi to 70 psi (69 kpa to 483 kpa).
Condenser water pressure – 150 psi (1035 kpa) maximum.

Electrical

208-230/60/1, 11 amps; max. icemaker fuse or circuit breaker 15 amps. 6 ft (1.8 m) cord and plug to be provided with each icemaker. Separate circuits required for each icemaker.

Transport Tube (Satellite-fill models only)

10 ft (3 m) of insulated transport tube provided.

Approximate Shipping Weight

260 lbs (118 kg)

Dimensions

Overall Dimensions		
Height	Depth	Width
23.5 in (597 mm)	22.8 in (580 mm)	26.7 in (677 mm)

Water Consumption

13.6 gal (52 L) of potable water usage per 100 lbs (46 kg) of ice.

Heat Rejection

11,300 BTU/hr (2,848 Kcal/hr) for air-cooled.
12,800 BTU/hr (3,226 Kcal/hr) for water-cooled.

Energy Consumption

KWH per 100 lbs (46 kg) ice*	
Air-cooled	5.1
Water-cooled	4.2

*Air temp. 90 F (32 C); water temp. 70 F (21 C)

Water Flow Requirements for Water-Cooled Condensers

Water Temp. F°/C°	50/10	60/16	70/21
Water Flow: Gallons/100 lbs of ice Liters/46 kg of ice	65 246	87 329	108 409

Application	Condenser	Top Mount	Satellite-fill
Ice storage bins ¹	air water	HCC1000ABT HCC1000WBT	HCC1000ABS HCC1000WBS
Follett Vision dispensers ²	air water	not available	HCC1000AVS HCC1000WVS
Ice & beverage dispensers manufactured by others	air water	HCC1000AHT HCC1000WHT (requires Follett Harmony™ top kit.)	HCC1000AHS HCC1000WHS
Drop-in dispensers ³	air water	not available	HCC1000AJS HCC1000WJS
Ice Manager diverter valve system ⁴	air water	not available	HCC1000AMS HCC1000WMS

1 - Ice enters through top of bin in Satellite-fill applications. For side entry, contact factory at (800) 523-9361.

2 - See form# 3105 for additional design information regarding installation of a Horizon icemaker with Follett Vision dispensers.

3 - See form# 3425 for additional design information regarding installation of a Horizon icemaker with drop-in dispensers.

4 - See form# 3265 for additional design information regarding installation of a Horizon icemaker with Ice Manager diverter valve system.

Ice Production

Air-cooled icemaker capacity/24 hrs.

Inlet Water Temperature F/C	Ambient Air Temperature F/C						
	F	60	70	80	90	100	
50	1135	1100	962	828	786	786	lbs
10	515	499	437	376	357	357	kg
60	1070	1000	916	816	728	728	lbs
16	486	454	416	371	331	331	kg
70	1015	938	871	794	686	686	lbs
21	461	426	395	361	312	312	kg
80	967	902	826	755	654	654	lbs
27	439	410	375	343	297	297	kg
90	924	859	782	698	610	610	lbs
32	420	390	355	317	277	277	kg

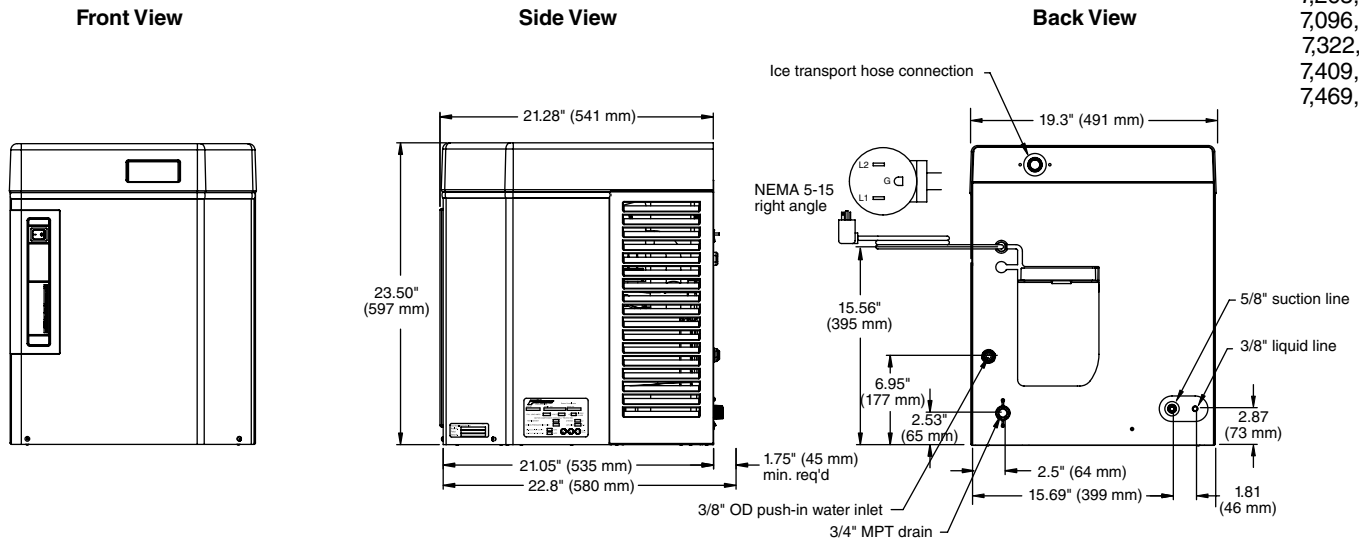
Water-cooled icemaker capacity/24 hrs.

Inlet Water Temperature F/C	Condenser Water Temperature F/C						
	F	60	70	80	90	100	
50	1071	1035	975	885	762	762	lbs
10	486	470	443	402	346	346	kg
60	1025	979	912	826	723	723	lbs
16	465	444	414	375	328	328	kg
70	971	932	870	786	683	683	lbs
21	441	423	395	357	310	310	kg
80	912	888	839	759	642	642	lbs
27	414	403	381	345	292	292	kg
90	849	842	814	745	603	603	lbs
32	386	382	370	338	274	274	kg

Horizon Chewblet ice icemaker with remote condensing unit

HCD1000R
HCD1000N

U.S. Patents
7,263,844
7,096,686
7,322,201
7,409,548
7,469,552



Operating Limits

Ambient air temp. range, condenser – -20 F to 120 F (-29 C to 49 C).
Ambient air temp. range, evaporator – 50 F to 100 F (10 C to 38 C).
Water temperature range – 45 F to 90 F (7 C to 32 C).
Potable water pressure – 10 psi to 70 psi (69 kpa to 483 kpa).
Remote condensing unit capacity of 7,700 BTU/hr (1940 Kcal/hr) at 0 F (-18 C) evaporator, 90 F (32 C) ambient air (HCD1000N units only).
Rack systems require EPR valve (supplied by others) set to 0 F (-18 C).

Installation Limits

Maximum line run length – 100 ft (30.5 m).
Installations with up to 50 ft (15.2 m) line run require 8 lbs (4 kg) of refrigerant (consult installation manual for correct refrigerant charge if line run exceeds 50 ft (15.2 m)).
Maximum line rise
Condensing unit above evaporator unit – 35 ft (10.7 m) (installations with rise over 20 ft (6.1 m) require additional suction line s-trap at midpoint of rise).
Evaporator unit above condensing unit – 15 ft (4.6 m).
Maximum line drop – 15 ft (4.6 m).

Electrical

Evaporator unit – 115/60/1, 6 amps; max. icemaker fuse or circuit breaker 15 amps.
Condensing unit – 208-230/60/1, 7.5 amps; max. fuse or circuit breaker 15 amps.

6 ft (1.8 m) cord and NEMA 5-15 hospital-grade plug provided with evaporator unit. Separate circuits required for each.

Transport Tube (Satellite-fill models only)

10 ft (3 m) of insulated transport tube provided.

Approximate Shipping Weight

Evaporator unit – 180 lbs (68 kg); Condensing unit – 225 lbs (102 kg)

Dimensions

Overall Dimensions		
Height	Depth	Width
23.5 in (597 mm)	22.8 in (580 mm)	19.3 in (491 mm)

Water Consumption

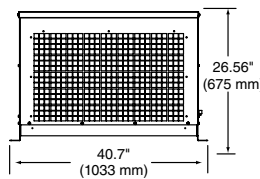
13.6 gal (52 L) of potable water usage per 100 lbs (46 kg) of ice.

Energy Consumption

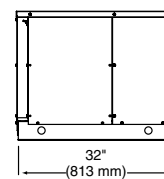
KWH per 100 lbs (46 kg) ice*	
Remote condensing unit	5.1

*Air temp. 90 F (32 C); water temp. 70 F (21 C)

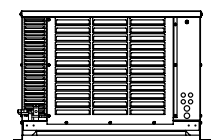
Condensing Unit Front View



Condensing Unit Side View



Condensing Unit Back View



Application	Condenser	Top Mount	Satellite-fill
Ice storage bins ¹	with without	HCD1000RBT HCD1000NBT	HCD1000RBS HCD1000NBS
Follett Vision dispensers ²	with without	not available	HCD1000RVS HCD1000NVS
Ice & beverage dispensers manufactured by others	with without	HCD1000RHT HCD1000NHT (requires Follett Harmony™ top kit.)	HCD1000RHS HCD1000NHS
Drop-in dispensers ³	with without	not available	HCD1000RJS HCD1000NJS
Ice Manager diverter valve system ⁴	with without	not available	HCD1000RMS HCD1000NMS

1 - Ice enters through top of bin in Satellite-fill applications. For side entry, contact factory at (800) 523-9361.

2 - See form# 3110 for additional design information regarding installation of a Horizon icemaker with Follett Vision dispensers.

3 - See form# 3425 for additional design information regarding installation of a Horizon icemaker with drop-in dispensers.

4 - See form# 3265 for additional design information regarding installation of a Horizon icemaker with Ice Manager diverter valve system.

Ice Production

Air-cooled icemaker capacity/24 hrs.

		Ambient Air Temperature F/C					
		F	60	70	80	90	100
Inlet Water Temperature F/C	C	16	21	27	32	38	
	50	944	900	853	819	791	lbs
	10	429	409	387	372	359	kg
	60	887	866	837	800	756	lbs
	16	403	393	380	363	343	kg
	70	833	824	804	765	710	lbs
	21	378	374	365	347	322	kg
	80	784	774	752	714	656	lbs
	27	356	351	342	324	298	kg
	90	740	714	680	640	594	lbs
32	336	324	309	291	270	kg	

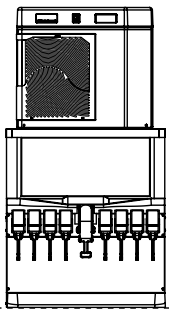
Horizon Series Icemaker Model Number Configurations

HC C 1000 A V S

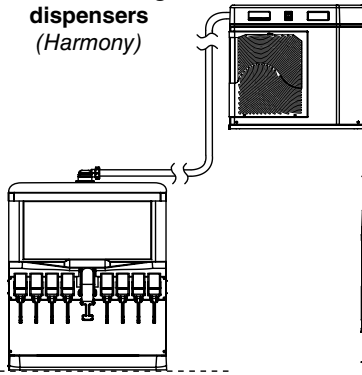
Icemaker	Voltage	Series	Condenser	Application	Configuration
HC Horizon Chewblet®	C 208-230/60/1 <i>(self-contained only)</i>	1000 up to 1036 lbs (471 kg)	A Air-cooled, self-contained	V Vision™	S Satellite-fill™
	D Low side 115/60/1 Condensing unit 208-230/60/1 <i>(remote condensing only)</i>	1400 up to 1450 lbs (658 kg)	W Water-cooled, self-contained	H Harmony™	T Top-mount
	E 230/50/1 <i>(self-contained only)</i>		R Air-cooled, remote condensing unit	B Ice storage bin	
			N Air-cooled, no condensing unit for connection to parallel rack system	J Drop-in	
				M Ice Manager† diverter valve system	

† Ice Manager diverter valve systems can be used to fill two bins or dispensers with a single icemaker.

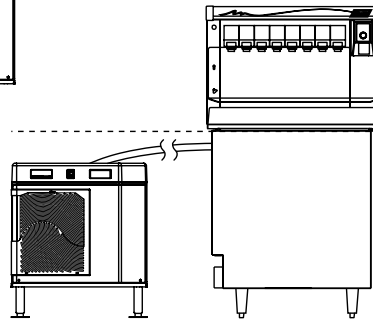
Top mount on ice and beverage dispensers (Harmony)



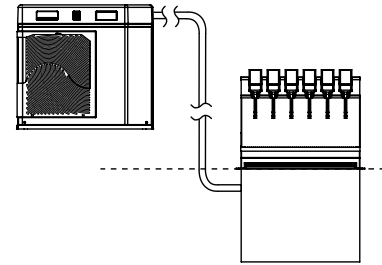
Satellite-fill for ice and beverage dispensers (Harmony)



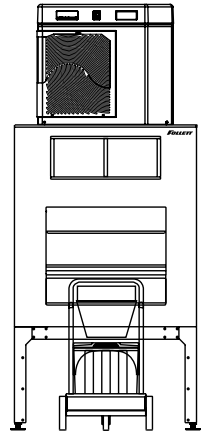
Satellite-fill for Follett Vision dispensers



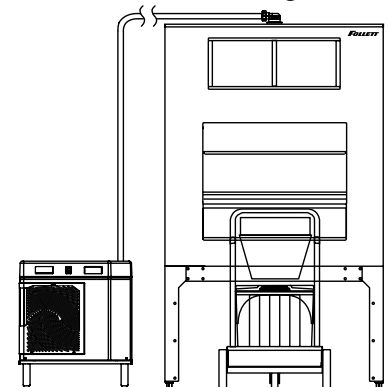
Satellite-fill for drop-in dispenser



Top mount on ice storage bins



Satellite-fill for ice storage bins



Approved Harmony applications and top kits*

Manufacturer/Model Number	W = Width in (mm)	D = Depth in (mm)	H = Height** in (mm)	Harmony top kit – specify “F” for front facing, or “B” for backward facing units	
				HCC1000 Air or Water	HCD1000 Remote Condensing
Lancer dispensers					
4500-22N	22.0 (559)	30.5 (775)	N/A	Satellite-fill only	Satellite-fill only
4500-30N	30.0 (762)	30.5 (775)	36.50 (928)	HTL30SC-10F	HTL30RC-F
FS-22N	22.0 (559)	30.5 (775)	42.13 (1070)	Satellite-fill only	HTL22RC-F
FS-30N	30.0 (762)	30.5 (775)	42.13 (1070)	HTL30SC-10F	HTL30RC- (F or B)
FS-44N #	44.0 (1118)	30.5 (775)	42.13 (1070)	Satellite-fill only	(2) HTL22RC-F
Remcor/Cornelius dispensers					
DB/ED/DF 150 series	22.0 (559)	30.0 (762)	34.38 (873)	Satellite-fill only	HTC22RC-F
DB/ED/DF 200 series	30.0 (762)	30.0 (762)	34.38 (873)	HTC30SC-10F	HTC30RC-F
DB/ED/DF 250 series	30.0 (762)	30.0 (762)	38.38 (975)	HTC30SC-10F	HTC30RC-F
DB/ED/DF 300 series	44.0 (1118)	30.0 (762)	34.00 (864)	HTC44SC-10 (F or B)	HTC44RC- (F or B)
FlavorFusion	30.0 (762)	30.7 (780)	39.38 (1000)	HTC30SC-10F-FF	HTC30RC-10F-FF
IDC200	30.0 (762)	30.7 (780)	39.38 (1000)	HTC30SC-10F-IDC	HTC30RC-10F-IDC
IDC250	30.0 (762)	30.7 (780)	36.38 (924)	HTC30SC-10F-IDC	HTC30RC-10F-IDC
SerVend dispensers					
MDH-302	42.75 (1086)	31.0 (787)	32.38 (820)	HTS44SC-10 (F or B)†	HTS44RC- (F or B)†
MDH-402	60.00 (1524)	30.5 (775)	32.38 (820)	Satellite-fill only	HTS60RC- _ §(F or B)†

*All approved dispensers can be filled with a Satellite-fill Horizon icemaker model without a top kit.
 § 60-inch models: Please specify number of Horizon icemakers and location. D = 2; R = 1 on right side; L = 1 on left side
 † Requires minimum .5" (12.7 mm) clearance between back of dispenser and wall.
 ** Net height after installation of top kit (excluding height of icemaker).
 # F-44N consists of 2 separate 22" dispensers. A top kit is needed for each Horizon icemaker ordered.