

Follett® Horizon Chewblet ice icemakers are compact, reliable and versatile. Available in both top mount and Satellite-fill™ configurations, Horizon icemakers can fill

- Ice storage bins, ice transport systems, and Ice•DevIce™ chuted bin and cart systems
- Follett Vision™ low-profile ice and beverage dispensers
- Countertop ice and beverage dispensers
- Drop-in dispensers at drive-thrus and server stations
- With the Ice Manager™ diverter valve system, one Horizon icemaker can fill two ice receptacles

Engineered with stainless steel frame and exterior, the Horizon 1400 series icemakers use environmentally friendly R404A refrigerant and are capable of producing up to 1450 lbs (658 kg) of Chewblet compressed nugget ice in a 24-hour period.

### Low life cycle cost

- Uses up to 60% less water than cube icemakers
- Rejects up to 30% less heat than typical cuber
- Requires no preventive maintenance other than regular cleaning

### Satellite-fill capability

- Install icemaker up to 75 ft (23 m) away from the bin or dispenser; applications more than 20 ft (6 m) require factory approval
- Improved sanitation, aesthetics, serviceability

### Consumer-preferred Chewblet ice

- More reliable dispensing than nugget or pellet ice
- Slow melting, maintains drink temperature and quality
- Drink performance comparable to cubes
- Higher displacement than cube ice

### Innovative engineering; unsurpassed reliability

- Horizontally positioned evaporator provides maximum heat transfer for high capacity with compact dimensions
- Unique auger profile design maximizes ice capacity and reduces loads on gearmotor, bearings and seals
- Automatic self-flushing reduces scale build-up
- Easy to read display provides at-a-glance operational status
- Semi-automatic cleaning and sanitizing system lowers maintenance cost
- Quiet operation, no noisy batch harvest cycles

### Superior sanitation

- Floatless, sealed design inhibits formation of biofilms
- Aluminum bronze evaporator provides inherent anti-microbial properties

### Accessories

- Water filter kit (item# 00130286)
- Wall mount bracket (refer to form# 3311)
- Ice machine stand (refer to form# 3311)
- 35', non-precharged line sets (refer to form# 3311)

### Warranty

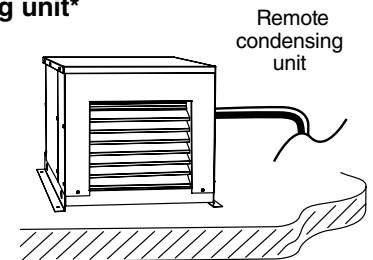
- 3 years parts and labor on all components; 5 year parts on compressor

### Horizon 1400 self-contained, with air- or water-cooled condensing unit



| Application                                      | Condenser    | Top Mount  | Satellite-fill           |
|--|--------------|--|--------------------------|
| Ice storage bins                                 | air<br>water | HCC1400ABT<br>HCC1400WBT   | HCC1400ABS<br>HCC1400WBS |
| Follett Vision dispensers                        | air<br>water | not available  | HCC1400AVS<br>HCC1400WVS |
| Ice & beverage dispensers manufactured by others | air<br>water | HCC1400AHT<br>HCC1400WHT<br>(requires Follett Harmony™ top kit.) | HCC1400AHS<br>HCC1400WHS |
| Drop-in dispensers                               | air<br>water | not available  | HCC1400AJS<br>HCC1400WJS |
| Ice Manager diverter valve system                | air<br>water | not available  | HCC1400AMS<br>HCC1400WMS |

### Horizon 1400 with remote air-cooled condensing unit\*



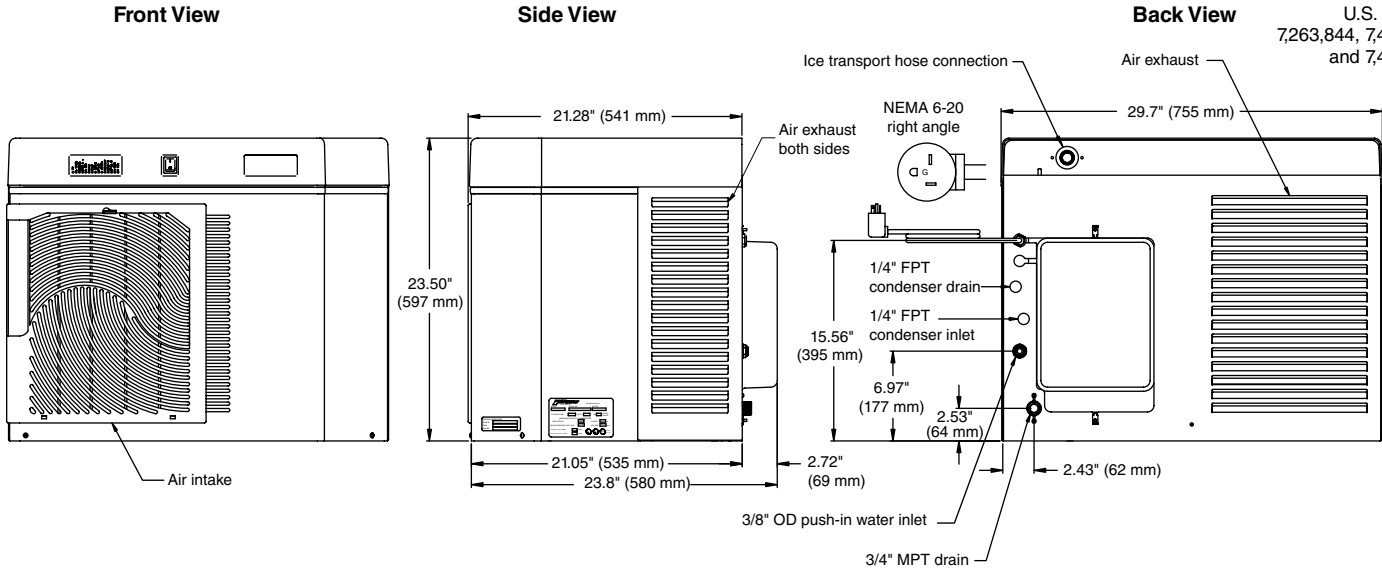
\* Available without remote condensing unit for connection to parallel rack system supplied by others

| Application                                      | Condenser       | Top Mount  | Satellite-fill           |
|--|-----------------|--|--------------------------|
| Ice storage bins                                 | with<br>without | HCD1400RBT<br>HCD1400NBT   | HCD1400RBS<br>HCD1400NBS |
| Follett Vision dispensers                        | with<br>without | not available  | HCD1400RVS<br>HCD1400NVS |
| Ice & beverage dispensers manufactured by others | with<br>without | HCD1400RHT<br>HCD1400NHT<br>(requires Follett Harmony™ top kit.) | HCD1400RHS<br>HCD1400NHS |
| Drop-in dispensers                               | with<br>without | not available  | HCD1400RJS<br>HCD1400NJS |
| Ice Manager diverter valve system                | with<br>without | not available  | HCD1400RMS<br>HCD1400NMS |

# Horizon Chewblet ice icemaker - self-contained, air- or water-cooled

**HCC1400A**  
**HCC1400W**

U.S. Patents  
7,263,844, 7,469,548  
and 7,469,552



## Operating Limits

Ambient air temp. range – 50 F to 100 F (10 C to 38 C).  
Water temp. range – 45 F to 90 F (7 C to 32 C).  
Potable water pressure – 10 psi to 70 psi (69 kpa to 483 kpa).  
Condenser water pressure – 150 psi (1035 kpa) maximum.

## Electrical

208-230/60/1, -5%/+10% under peak load. 12.0 amps, max. icemaker fuse or circuit breaker 20 amps. 6 ft (1.8 m) cord and plug to be provided with each icemaker. Separate circuits required for each icemaker.

## Transport Tube (Satellite-fill models only)

10 ft (3 m) of insulated transport tube provided.

## Approximate Shipping Weight

290 lbs (132 kg)

## Dimensions

| Overall Dimensions |                  |                  |
|--------------------|------------------|------------------|
| Height             | Depth            | Width            |
| 23.5 in (597 mm)   | 23.8 in (604 mm) | 29.7 in (753 mm) |

## Water Consumption

13.2 gal (50 L) of potable water per 100 lbs (46 kg) of ice.

## Heat Rejection

16,000 BTU/hr (4,032 Kcal/hr) for air-cooled.  
16,400 BTU/hr (4,133 Kcal/hr) for water-cooled.

## Energy Consumption

| KWH per 100 lbs (46 kg) ice* |     |
|------------------------------|-----|
| Air-cooled                   | 5.1 |
| Water-cooled                 | 3.8 |

\*Air temp. 90 F (32 C); water temp. 70 F (21 C)

## Water Flow Requirements for Water-Cooled Condensers

| Water Temp. F°/C°  | 50/10     | 60/16     | 70/21      |
|--|-----------|-----------|------------|
| Water Flow:<br>Gallons/100 lbs of ice<br>Liters/46 kg of ice | 72<br>273 | 98<br>371 | 129<br>489 |

| Application                                      | Condenser    | Top Mount  | Satellite-fill           |
|--|--------------|--|--------------------------|
| Ice storage bins <sup>1</sup>                    | air<br>water | HCC1400ABT<br>HCC1400WBT   | HCC1400ABS<br>HCC1400WBS |
| Follett Vision dispensers <sup>2</sup>           | air<br>water | not available  | HCC1400AVS<br>HCC1400WVS |
| Ice & beverage dispensers manufactured by others | air<br>water | HCC1400AHT<br>HCC1400WHT<br>(requires Follett Harmony™ top kit.) | HCC1400AHS<br>HCC1400WHS |
| Drop-in dispensers <sup>3</sup>                  | air<br>water | not available  | HCC1400AJS<br>HCC1400WJS |
| Ice Manager diverter valve system <sup>4</sup>   | air<br>water | not available  | HCC1400AMS<br>HCC1400WMS |

- 1 - Ice enters through top of bin in Satellite-fill applications. For side entry, contact factory at (800) 523-9361.
- 2 - See form# 3105 for additional design information regarding installation of a Horizon icemaker with Follett Vision dispensers.
- 3 - See form# 3425 for additional design information regarding installation of a Horizon icemaker with drop-in dispensers.
- 4 - See form# 3265 for additional design information regarding installation of a Horizon icemaker with Ice Manager diverter valve system.

## Ice Production

Air-cooled icemaker capacity/24 hrs.

| Inlet Water Temperature F/C | Ambient Air Temperature F/C |      |      |      |      |      |     |
|-----------------------------|-----------------------------|------|------|------|------|------|-----|
|                             | F                           | 60   | 70   | 80   | 90   | 100  |     |
|                             | C                           | 16   | 21   | 27   | 32   | 38   |     |
| 50                          | 1536                        | 1452 | 1321 | 1217 | 1117 | 1117 | lbs |
| 10                          | 697                         | 659  | 599  | 552  | 507  | 507  | kg  |
| 60                          | 1446                        | 1361 | 1258 | 1176 | 1075 | 1075 | lbs |
| 16                          | 656                         | 617  | 570  | 533  | 488  | 488  | kg  |
| 70                          | 1370                        | 1281 | 1194 | 1122 | 1027 | 1027 | lbs |
| 21                          | 621                         | 581  | 541  | 509  | 466  | 466  | kg  |
| 80                          | 1304                        | 1212 | 1130 | 1089 | 976  | 976  | lbs |
| 27                          | 591                         | 550  | 513  | 494  | 443  | 443  | kg  |
| 90                          | 1246                        | 1152 | 1067 | 991  | 922  | 922  | lbs |
| 32                          | 565                         | 523  | 484  | 449  | 418  | 418  | kg  |

Water-cooled icemaker capacity/24 hrs.

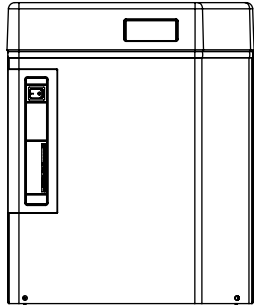
| Inlet Water Temperature F/C | Condenser Water Temperature F/C |      |      |      |      |      |     |
|-----------------------------|---------------------------------|------|------|------|------|------|-----|
|                             | F                               | 60   | 70   | 80   | 90   | 100  |     |
|                             | C                               | 16   | 21   | 27   | 32   | 38   |     |
| 50                          | 1528                            | 1476 | 1423 | 1371 | 1318 | 1318 | lbs |
| 10                          | 693                             | 669  | 646  | 622  | 598  | 598  | kg  |
| 60                          | 1481                            | 1429 | 1376 | 1324 | 1271 | 1271 | lbs |
| 16                          | 672                             | 648  | 624  | 600  | 576  | 576  | kg  |
| 70                          | 1450                            | 1398 | 1345 | 1293 | 1240 | 1240 | lbs |
| 21                          | 658                             | 634  | 610  | 586  | 562  | 562  | kg  |
| 80                          | 1403                            | 1351 | 1298 | 1246 | 1193 | 1193 | lbs |
| 27                          | 637                             | 613  | 589  | 565  | 541  | 541  | kg  |
| 90                          | 1356                            | 1304 | 1251 | 1199 | 1146 | 1146 | lbs |
| 32                          | 615                             | 591  | 568  | 544  | 520  | 520  | kg  |

# Horizon Chewblet ice icemaker with remote condensing unit

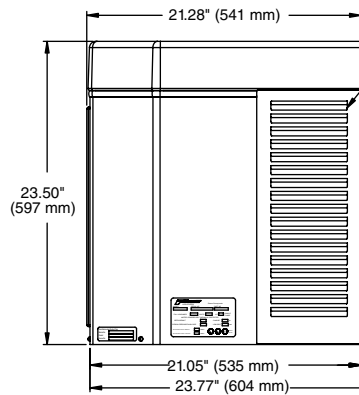
**HCD1400R**  
**HCD1400N**

U.S. Patents  
7,263,844, 7,469,548  
and 7,469,552

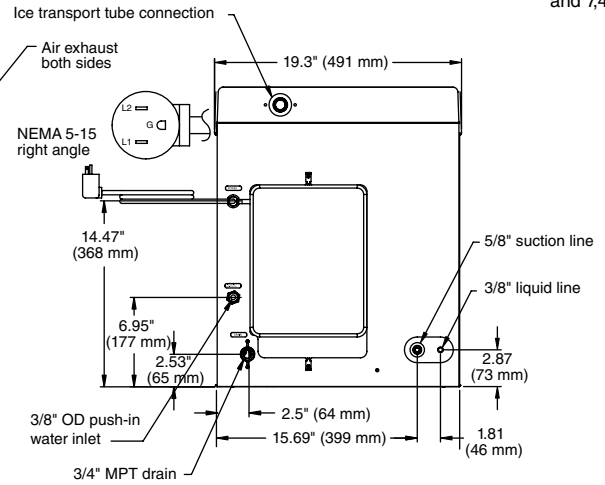
**Front View**



**Side View**



**Back View**



## Operating Limits

Ambient air temp. range, condenser – -20 F to 120 F (-29 C to 49 C).  
Ambient air temp. range, evaporator – 50 F to 100 F (10 C to 38 C).  
Water temperature range – 45 F to 90 F (7 C to 32 C).  
Potable water pressure – 10 psi to 70 psi (69 kpa to 483 kpa).  
Remote condensing unit capacity of 10,000 BTU/hr (2520 kcal/hr) at 0 F (-18 C) evaporator, 90 F (32 C) ambient air (HCD1400N units only).  
Rack systems require EPR valve (supplied by others) set to 0 F (-18 C).

## Installation Limits

Maximum line run length – 100 ft (30.5 m).  
Installations with up to 50 ft (15.2 m) line run require 11 lbs (5 kg) of refrigerant (consult installation manual for correct refrigerant charge if line run exceeds 50 ft (15.2 m)).  
Maximum line rise  
Condensing unit above evaporator unit – 35 ft (10.7 m) (installations with rise over 20 ft (6.1 m) require additional suction line s-trap at midpoint of rise).  
Evaporator unit above condensing unit – 15 ft (4.6 m).  
Maximum line drop – 15 ft (4.6 m).

## Electrical

Evaporator unit – 115/60/1, 6 amps; max. icemaker fuse or circuit breaker 15 amps.  
Condensing unit – 208-230/60/1, 15 amps; max. fuse or circuit breaker 30 amps.  
6 ft (1.8 m) cord and NEMA 5-15 hospital-grade plug provided with evaporator unit. Separate circuits required for each.

## Transport Tube (Satellite-fill models only)

10 ft (3 m) of insulated transport tube provided.

## Approximate Shipping Weight

Evaporator unit – 190 lbs (86 kg); Condensing unit – 330 lbs (175 kg)

## Dimensions

| Overall Dimensions |                  |                  |
|--------------------|------------------|------------------|
| Height             | Depth            | Width            |
| 23.5 in (597 mm)   | 23.8 in (604 mm) | 19.3 in (491 mm) |

## Water Consumption

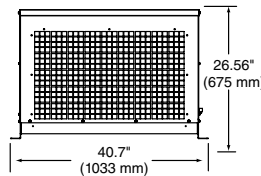
13.2 gal (50 L) of potable water usage per 100 lbs (46 kg) of ice.

## Energy Consumption

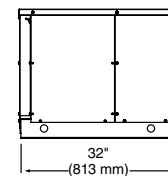
| KWH per 100 lbs (46 kg) ice* |     |
|------------------------------|-----|
| Remote condensing unit       | 4.8 |

\*Air temp. 90 F (32 C); water temp. 70 F (21 C)

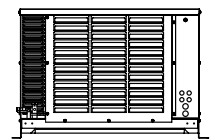
**Condensing Unit Front View**



**Condensing Unit Side View**



**Condensing Unit Back View**



| Application                                      | Condenser       | Top Mount  | Satellite-fill           |
|--|-----------------|--|--------------------------|
| Ice storage bins <sup>1</sup>                    | with<br>without | HCD1400RBT<br>HCD1400NBT   | HCD1400RBS<br>HCD1400NBS |
| Follett Vision dispensers <sup>2</sup>           | with<br>without | not available  | HCD1400RVS<br>HCD1400NVS |
| Ice & beverage dispensers manufactured by others | with<br>without | HCD1400RHT<br>HCD1400NHT<br>(requires Follett Harmony™ top kit.) | HCD1400RHS<br>HCD1400NHS |
| Drop-in dispensers <sup>3</sup>                  | with<br>without | not available  | HCD1400RJS<br>HCD1400NJS |
| Ice Manager diverter valve system <sup>4</sup>   | with<br>without | not available  | HCD1400RMS<br>HCD1400NMS |

- 1 - Ice enters through top of bin in Satellite-fill applications. For side entry, contact factory at (800) 523-9361.
- 2 - See form# 3110 for additional design information regarding installation of a Horizon icemaker with Follett Vision dispensers.
- 3 - See form# 3425 for additional design information regarding installation of a Horizon icemaker with drop-in dispensers.
- 4 - See form# 3265 for additional design information regarding installation of a Horizon icemaker with Ice Manager diverter valve system.

## Ice Production

Icemaker capacity/24 hrs.

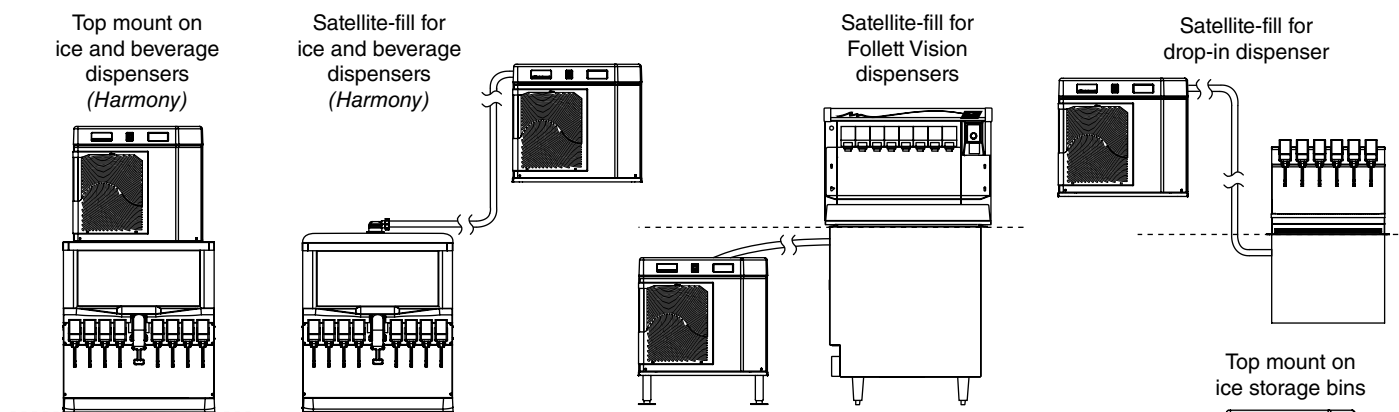
|                             |    | Ambient Air Temperature F/C |      |      |      |      |     |
|-----------------------------|----|-----------------------------|------|------|------|------|-----|
|                             |    | F                           | 60   | 70   | 80   | 90   | 100 |
| Inlet Water Temperature F/C | F  | 1354                        | 1333 | 1260 | 1243 | 1227 | lbs |
|                             | C  | 614                         | 605  | 571  | 564  | 556  | kg  |
|                             | 50 | 1293                        | 1272 | 1225 | 1208 | 1192 | lbs |
|                             | 10 | 586                         | 577  | 556  | 548  | 541  | kg  |
|                             | 60 | 1229                        | 1208 | 1190 | 1172 | 1157 | lbs |
|                             | 16 | 557                         | 548  | 540  | 532  | 525  | kg  |
|                             | 70 | 1167                        | 1146 | 1102 | 1084 | 1069 | lbs |
|                             | 21 | 529                         | 520  | 500  | 492  | 485  | kg  |
|                             | 80 | 1107                        | 1060 | 1013 | 995  | 980  | lbs |
|                             | 27 | 502                         | 481  | 460  | 451  | 445  | kg  |
|                             | 90 |                             |      |      |      |      |     |
|                             | 32 |                             |      |      |      |      |     |

## Horizon Series Icemaker Model Number Configurations

| <div style="display: flex; justify-content: space-around; align-items: center;"> <span style="border: 1px solid black; padding: 2px;">HC</span> <span style="border: 1px solid black; padding: 2px;">C</span> <span style="border: 1px solid black; padding: 2px;">1400</span> <span style="border: 1px solid black; padding: 2px;">A</span> <span style="border: 1px solid black; padding: 2px;">V</span> <span style="border: 1px solid black; padding: 2px;">S</span> </div> |   |  |   |  |                                  |
|---|---|--|---|--|----------------------------------|
| Icemaker  | Voltage   | Series   | Condenser   | Application  | Configuration                    |
| HC Horizon Chewblet®  | C 208-230/60/1<br><i>(self-contained only)</i><br>D Low side 115/60/1<br>Condensing unit<br>208-230/60/1<br><i>(remote condensing only)</i><br>E 230/50/1<br><i>(self-contained only)</i> | 1000 up to<br>1036 lbs<br>(471 kg)<br><br>1400 up to<br>1450 lbs<br>(658 kg) | A Air-cooled, self-contained<br>W Water-cooled, self-contained<br>R Air-cooled, remote condensing unit<br>N Air-cooled, no condensing unit for connection to parallel rack system | V Vision™<br>H Harmony™<br>B Ice storage bin<br>J Drop-in<br>M Ice Manager†<br>diverter valve system | S Satellite-fill™<br>T Top-mount |

† Ice Manager diverter valve systems can be used to fill two bins or dispensers with a single icemaker.

Chewblet is a registered trademark of Follett Corporation, registered in the US.



### Approved Harmony applications and top kits\*

| Manufacturer/<br>Model Number      | W = Width<br>in (mm) | D = Depth<br>in (mm) | H =<br>Height**<br>in (mm) | Harmony top kit – specify “F” for front facing,<br>or “B” for backward facing units |                              |
|------------------------------------|----------------------|----------------------|----------------------------|---|------------------------------|
|                                    |                      |                      |                            | HCC1400<br>Air or Water   | HCD1400<br>Remote Condensing |
| <b>Lancer dispensers</b>           |                      |                      |                            |   |                              |
| 4500-22N                           | 22.0 ( 559)          | 30.5 (775)           | N/A                        | Satellite-fill only   | Satellite-fill only          |
| 4500-30N                           | 30.0 ( 762)          | 30.5 (775)           | 36.50 ( 928)               | HTL30SC-14F   | HTL30RC-F                    |
| FS-22N                             | 22.0 ( 559)          | 30.5 (775)           | 42.13 (1070)               | Satellite-fill only   | HTL22RC-F                    |
| FS-30N                             | 30.0 ( 762)          | 30.5 (775)           | 42.13 (1070)               | HTL30SC-14F   | HTL30RC- (F or B)            |
| FS-44N #                           | 44.0 (1118)          | 30.5 (775)           | 42.13 (1070)               | Satellite-fill only   | (2) HTL22RC-F                |
| <b>Remcor/Cornelius dispensers</b> |                      |                      |                            |   |                              |
| DB/ED/DF 150 series                | 22.0 ( 559)          | 30.0 (762)           | 34.38 ( 873)               | Satellite-fill only   | HTC22RC-F                    |
| DB/ED/DF 200 series                | 30.0 ( 762)          | 30.0 (762)           | 34.38 ( 873)               | HTC30SC-14F   | HTC30RC-F                    |
| DB/ED/DF 250 series                | 30.0 ( 762)          | 30.0 (762)           | 38.38 ( 975)               | HTC30SC-14F   | HTC30RC-F                    |
| DB/ED/DF 300 series                | 44.0 (1118)          | 30.0 (762)           | 34.0 ( 864)                | HTC44SC-14 (F or B)   | HTC44RC- (F or B)            |
| FlavorFusion                       | 30.0 ( 762)          | 30.7 (780)           | 39.38 (1000)               | HTC30SC-14F-FF  | HTC30RC-14F-FF               |
| IDC200                             | 30.0 ( 762)          | 30.7 (780)           | 39.38 (1000)               | HTC30SC-14F-IDC   | HTC30RC-14F-IDC              |
| IDC250                             | 30.0 ( 762)          | 30.7 (780)           | 36.38 ( 924)               | HTC30SC-14F-IDC   | HTC30RC-14F-IDC              |
| <b>SerVend dispensers</b>          |                      |                      |                            |   |                              |
| MDH-302                            | 42.75 (1086)         | 31.0 (787)           | 32.38 ( 820)               | HTS44SC-14 (F or B)†  | HTS44RC- (F or B)†           |
| MDH-402                            | 60.0 (1524)          | 30.5 (775)           | 32.38 ( 820)               | Satellite-fill only   | HTS60RC- _ §(F or B)†        |

\*All approved dispensers can be filled with a Satellite-fill Horizon model without a top kit.

§ 60- inch models: Please specify number of Horizon icemakers and location. D = 2; R = 1 on right side; L = 1 on left side

† Requires minimum .5" (12.7 mm) clearance between back of dispenser and wall.

\*\* Net height after installation of top kit (excluding height of icemaker).

# F-44N consists of 2 separate 22" dispensers. A top kit is needed for each Horizon icemaker ordered.

