

Vision™ ice and beverage dispenser

VU300 Series single side



Features

300 lb (136.0 kg) undercounter ice storage

Upscale drink station

- low profile with ice storage under the counter
- auto-fill with an ice machine out of view using RIDE® remote ice delivery equipment
- ideal for island configurations
- fits into ADA compliant 34.00" (86.3 cm) counters

Optimized throughput with left or right side ice dispense chute – customers fill cups faster for shorter lines

- Integral ice-water-bath beverage cooling option located behind beverage valves – delivers cold, high quality beverages and excellent casual drink performance

Durable, full stainless exterior

Easier beverage connections

- Beverage valves with factory installed beverage lines for easy field connection
- 4 center valves configured as QuickCARB™ valves, individually changeable from carbonated to non-carbonated flavors without disconnecting water lines

Pre-configured for Follett® RIDE model Chewblet® ice machines

- connect up to two Follett ice machines
- user-preferred, chewable compressed nugget ice
- slow melting, maintains drink temperature
- accepts Chewblet ice or Micro Chewblet ice

Faster, safer manual loading of ice at waist height

- safe, easy waist-height loading front or rear
- eliminates overhead lifting of buckets or loading from ladders
- allows quick reloading during serving period with minimal disruption
- may be manually loaded with cube ice up to 1.00" (2.54 cm) square

VU300 series – single side

Integral beverage cooling	# of valves	Sides	Ice tower location	Valve type	Item number
with	8	single sided	left	lever	VU300B8LL
				push-button	VU300B8LP
		right	lever	VU300B8RL	
			push-button	VU300B8RP	
with	10	single sided	left	lever	VU300B10LL
				push-button	VU300B10LP
		right	lever	VU300B10RL	
			push-button	VU300B10RP	
without*	10	single sided	left	lever	VU300M10LL
				push-button	VU300M10LP
		right	lever	VU300M10RL	
			push-button	VU300M10RP	
	12	single sided	left	lever	VU300M12LL
				push-button	VU300M12LP
		right	lever	VU300M12RL	
			push-button	VU300M12RP	

NOTE:

- Standard with Cornelius UFB1 valves.
- Lancer LEV valves available for Coke users only (add -LAN to end of model number).

* External beverage cooling required by others.

Accessories

4.00" (10.16 cm) stainless steel leg (individual) adjustable to 6.75" (17.15 cm) (item# 00137257)

Integration kit – Required to integrate with Ice Manager™ Diverter Valve (item# VUIMDKIT)

Job

Item

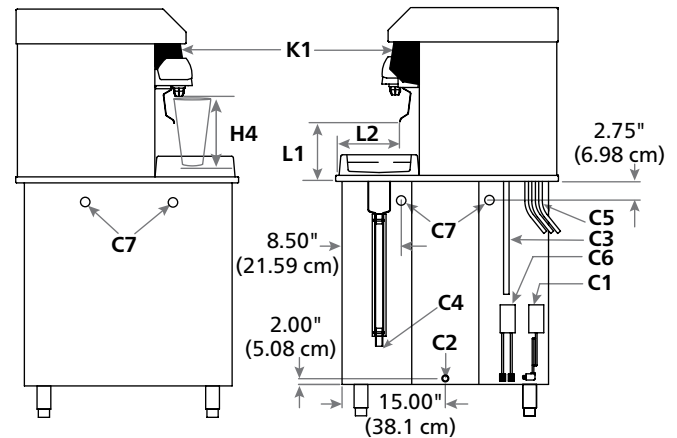
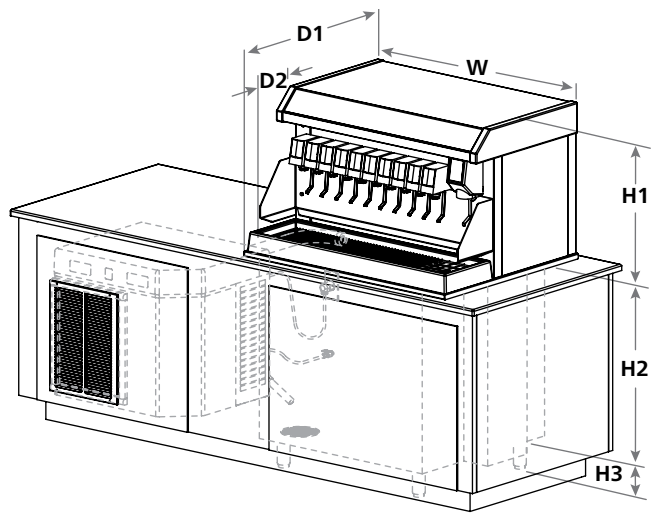
Specification

Ice storage capacity	300 lb (136.0 kg)
W Width	8 and 10 valve models – 40.88" (103.8 cm), 12 valve models – 49.88" (126.7 cm)
D1 Depth	32.38" (82.2 cm)
D2 Depth, drain pan interior	9.38" (23.82 cm)
H1 Height, upper section	25.25" (64.1 cm)
H2 Height, lower section	29.50" (74.9 cm)
H3 Height, leg	adjustable 4.00 - 6.75" (10.16 - 17.14 cm)
H4 Ice dispense height clearance	10.88" (27.6 cm)
K1 Ice dispense chute	utility connections are on same side as ice dispense chute
L1 Countertop to lever	8.62" (21.89 cm)
L2 Front of dispenser to lever	9.25" (23.50 cm)
Installation clearance	60.00" (152.4 cm) above counter for drop-in installation, 1.25" (3.18 cm) maximum counter thickness
Service clearance	12.00" (30.5 cm) minimum on ice transport tube entry side for connections, 49.00" (124.5 cm) minimum above counter for auger removal
NOTE: For additional information refer to form# 3105.	
C1 Electrical	Models with beverage cooling – 115 V/60/1 7 amps. Models without – 6 amps. Dispenser 15 amps circuit. 8' (2.4 m) cord and NEMA 5-15 90° plug provided with each dispenser. Separate circuits and disconnects required for each dispenser.
C2 Drain - ice storage	3/4" FPT – supplied with air break
C3 Drain - beverage waterbath	1/2" ID hose
C4 Drain - drain pan	3/4" drain nipple
C5 Beverage lines	1/4" ID syrup beverage hose, 3/8" ID carbonated water beverage hose, 3/8" ID plain water beverage hose
C6 Ice machine electrical connection	Pre-wired bin signal junction box with twist lock connector(s). Standard length is 20' (6.1 m).
C7 Ice machine ice transport tube connection	two ice transport tube entry holes on each side (can enter either side)
Temperature range	60 - 90 F (16 - 32 C)
Approximate shipping weight	models with beverage cooling – 400 lb (181.4 kg) models without – 430 lb (195.0 kg)

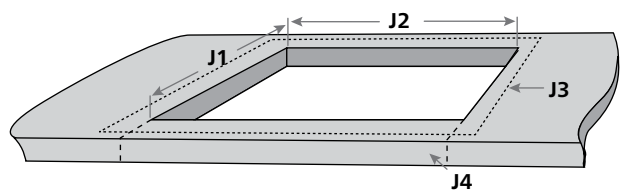
NOTE: For indoor use only

SHORT FORM SPECIFICATION: Ice and beverage dispenser to be Follett model _____. Dispenser to store up to 300 lb (136.0 kg) of ice and allow loading of ice at waist level from front. Full-length drain to be one-piece molded polyethylene. Beverage rail to have (choose one) ___ eight (8) or ___ ten (10) or ___ twelve (12) Cornelius UFB1 valves. Beverage rail to be of stainless steel with plastic trim. Beverage manifold to be pre-plumbed with center 4 valves individually changeable from carbonated to non-carbonated flavors without disconnecting water lines. To include 4.00 - 6.75" (10.16 - 17.15 cm) adjustable legs for dispenser support. Storage area to be of polyethylene, insulated with non-CFC foam polyurethane. Electric keyswitch standard. Dispenser to be pre-configured to accept up to two _____ RIDE model ice machines, sold separately. 8' (2.4 m) cord and NEMA 5-15 90° hospital grade plug provided. Dispenser to be NSF, UL and cUL listed.

Dimensional drawing



Counter cutout detail



J1 Cutout depth	30.375" (77.152 cm) ± .0125" (.0317 cm)
J2 Cutout width	38.5" (97.8 cm) ± .0125" (.0317 cm)
J3 Flat surface required	40.875" (103.822 cm) W x 33.00" (83.82 cm) D
J4 Optional – counter front may be removed for slide-in installation	

Vision, QuickCARB and Ice Manager are trademarks of Follett Corporation. Chewblet, Follett and RIDE are registered trademarks of Follett Corporation, registered in the US. Follett reserves the right to change specifications at any time without obligation. Certifications may vary depending on country of origin.

VU300 series – single side

Form #2795 10/13
© 2013 Follett Corporation



801 Church Lane | Easton, PA 18040, USA
1.800.523.9361 | 1.610.252.7301 | follettice.com

FOLLETT
Innovative solutions, inspired by ice