

**HOBART**701 S Ridge Avenue, Troy, OH 45374  
1-888-4HOBART • www.hobartcorp.com**6115  
PEELER****HOBART****STANDARD FEATURES**

- ½ H.P. Motor with Manual Reset Thermal Overload Protection
- Satin Stainless Steel Finish Housing
- 5 Minute Timer
- Removable NSF Lexan Liner
- Removable 14¾" Silicon Carbide Abrasive Disk
- Stainless Steel Drive Shaft
- Removable Cam-Type Pressure Lock-In Hopper Door
- Heavy Duty Brushed Aluminum Lock-In Hopper Cover
- Resilient Buna S Rubber Trim Molding
- Rear Mounted Water Inlet with 5' Fill Hose
- Cord and Plug

**ACCESSORIES**

- Cabinet Base and Peel Trap
- Portable Stand
- Peel Trap Basket
- 3" Leg Extension

**MODEL**

- 6115 – 15 lb. capacity peeler with 5 minute timer

Specifications, Details and Dimensions on Inside and Back.

**6115 PEELER**

# 6115 PEELER

**HOBART**701 S Ridge Avenue, Troy, OH 45374  
1-888-4HOBART • www.hobartcorp.com

## SOLUTIONS / BENEFITS

**Increased Productivity** – eliminates mundane task of peeling; employees can be assigned to other responsibilities

**Improves Yield** – minimizes peel waste, providing increased portions per load

**Reduces Labor** – peels 15-20 pounds of potatoes and most root type vegetables in just 3 minutes

**Easy to Clean** – designed for fast and thorough cleaning procedures

### Heavy Duty Brushed Aluminum Lock-In Hopper Cover

Durability, ease of cleaning

- Aluminum, heavy-duty
- Easily removable for cleaning

### Rear Mounted Water Inlet with 5' Fill Hose

Cleanability, meets plumbing codes

- Water from inlet strikes curved surface of hopper cover, promoting interior self-cleaning and preventing undesirable splash
- Sufficient height to meet plumbing codes

### Satin Stainless Steel Finish Housing

Durability, easy clean-up

- Cylindrical construction heliarc-welded stainless steel

### Five Minute Timer

Convenience, consistency, easy to use

- Simplistic five minute timer adjusts for any increments from ½ to 5 minutes; with 15 second markings on large timer dial for consistent results
- Only available in single phase

### Silicon Carbide Abrasive Disk

Longevity of service, convenience, cleanability

- 14¾ diameter lightweight fiberglass reinforced plastic disk with silicon abrasive permanently bonded for high volume usage
- Easily and quickly removed for cleaning

### Stainless Steel Drive Shaft

Durability and reliability

- Advanced design for long life and performance

### Removable NSF Lexan Liner

Durability, easy to clean

- Easily and quickly removed for cleaning, offering a higher level of sanitation
- Peels faster and with higher quality

## SPECIFICATIONS

**MOTOR:** ⅓ H.P., permanently lubricated sleeve bearings, capacitor-start, induction run type with manual reset thermal overload protection.

**ELECTRICAL:** 115/60/1 and 230/60/1 – UL Listed.

**CORD AND PLUG:** 5½ feet, 3 wire, flexible cord and plug for grounding.

**DOUBLE V-BELT DRIVE:** Speed reduction between motor and disc drive is obtained directly through dual V-belt. The stainless steel disc drive shaft is mounted in wide-spaced, oilless bushings. Permanently factory-sealed lubrication principle. Advanced design sealing prevents entrance of water into shaft bearings.

**WEIGHT:** Net weight 60 lbs. Domestic, carton-packed shipping weight 74 lbs.

## PORTABLE STAND

This sturdy, free-rolling stand gives mobility to the Model 6115 Peeler eliminating lifting. Peeler can be kept in an out-of-the-way space when not in use and is easily moved to sink for operation.

**CONSTRUCTION:** Tubular steel frame – welded construction. Finish is black enamel. 6 rubber-tired wheels in rear on swivel casters, with friction brake in front.

**DIMENSIONS:** Floor space required 22 x 22½. Height to peeler support surface is 32½; overall height 37½. Can be used with sinks of all heights up to 38.

**WEIGHT:** Net weight 16 lbs. Shipping weight 22 lbs.



## PEEL TRAP BASKET

Basket is suspended from the discharge hose, inside the sink, to strain the peelings from the discharge water before reaching the drain. Can be used with the Model 6115 peeler when operated on a sink shelf or table – or with the portable stand (as illustrated above).

**CONSTRUCTION:** Perforated steel, heavily tinned. A special clamp for the hose is furnished with the basket.

**DIMENSIONS:** 9½" long, 6¼" wide, 5" deep.

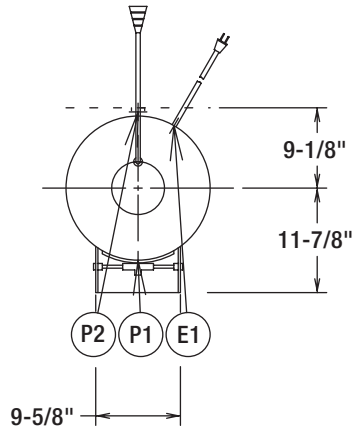
**SHIPPING WEIGHT:** 4 lbs.



701 S Ridge Avenue, Troy, OH 45374  
1-888-4HOBART • www.hobartcorp.com

# 6115 PEELER

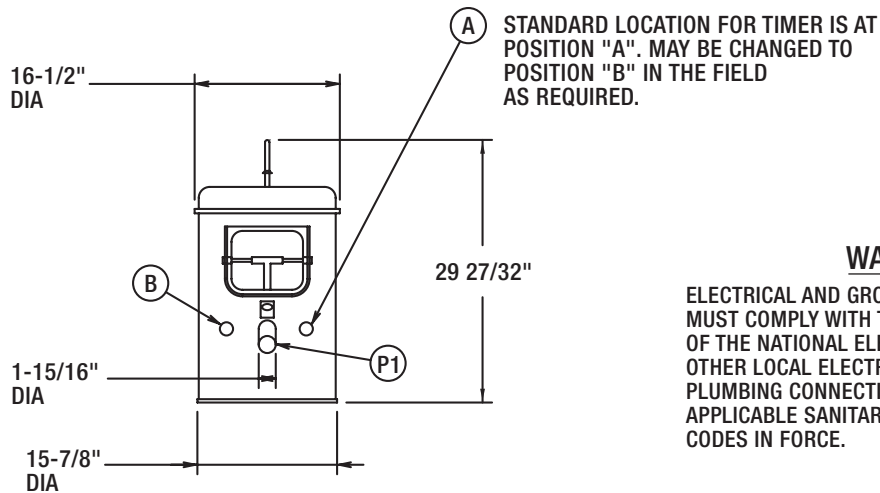
## DETAILS, DIMENSIONS AND CONNECTIONS OF MODEL 6115 PEELER



### LEGEND

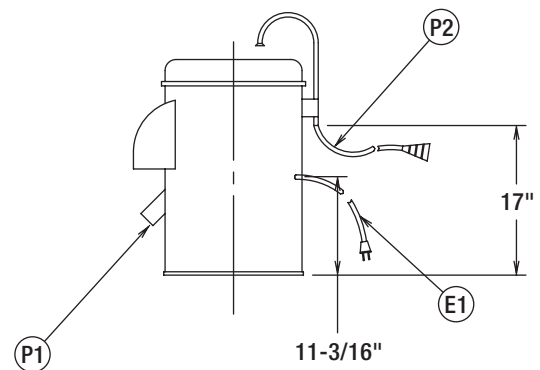
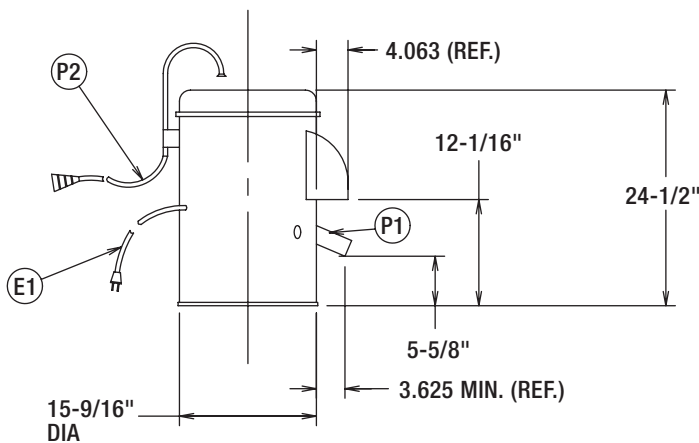
E1-CORD & PLUG (APPROX. 5-1/2 FT. FROM SIDE OF THE MACHINE)  
P1-DRAIN HOSE (1-15/16" DIA.)  
P2-FILL HOSE (5/8" DIA.) EXTENDING 5 FT. FROM END OF FILL TUBE

NET WEIGHT OF MACHINE: 60 LBS.  
DOMESTIC SHIPPING WEIGHT: 74 LBS.



### WARNING

ELECTRICAL AND GROUNDING CONNECTIONS MUST COMPLY WITH THE APPLICABLE PORTIONS OF THE NATIONAL ELECTRICAL CODE AND/OR OTHER LOCAL ELECTRICAL CODES. PLUMBING CONNECTIONS MUST COMPLY WITH APPLICABLE SANITARY, SAFETY AND PLUMBING CODES IN FORCE.



MODEL/ ELEC. CODE	ELECTRICAL SPECIFICATION	AMPS
6115/A	115/60/1	7.2
6115/C	230/60/1	3.6

# 6115 PEELER



701 S Ridge Avenue, Troy, OH 45374  
1-888-4HOBART • www.hobartcorp.com

## DETAILS AND DIMENSIONS – CABINET BASE AND PEEL TRAP

### LEGEND

E1-CORD & PLUG (APPROXIMATELY 5-1/2 FEET FROM SIDE OF THE MACHINE.)

P1-DRAIN CONNECTION - 2" STANDARD MALE PIPE THREAD

P2-FILL CONNECTION - STANDARD 1/2" FEMALE PIPE THREAD

\*THESE DIMENSIONS MAY INCREASE 2-1/2" DEPENDING ON LEG ADJUSTMENT

PEEL TRAP SHIPPED IN CARTON SEPARATE FROM PEELER.

NET WEIGHT OF MACHINE 60 LBS.

DOMESTIC SHIPPING WEIGHT (PEELER) 74 LBS.

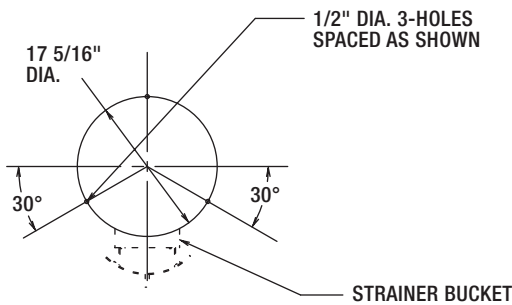
NET WEIGHT OF PEEL TRAP 38 LBS.

DOMESTIC SHIPPING WEIGHT (PEEL TRAP) 43 LBS.

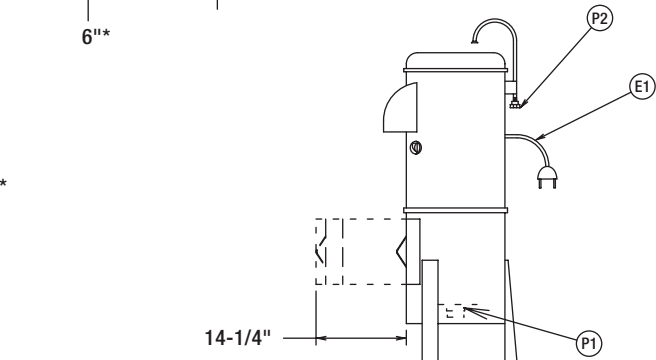
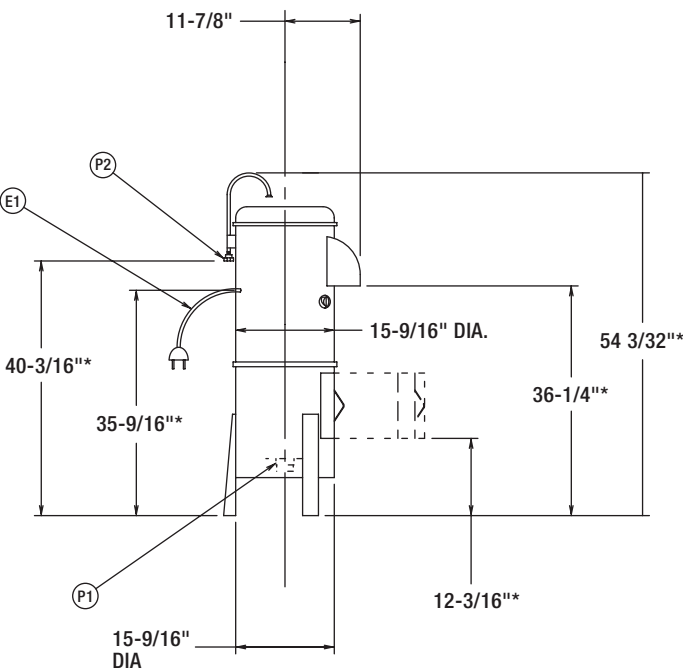
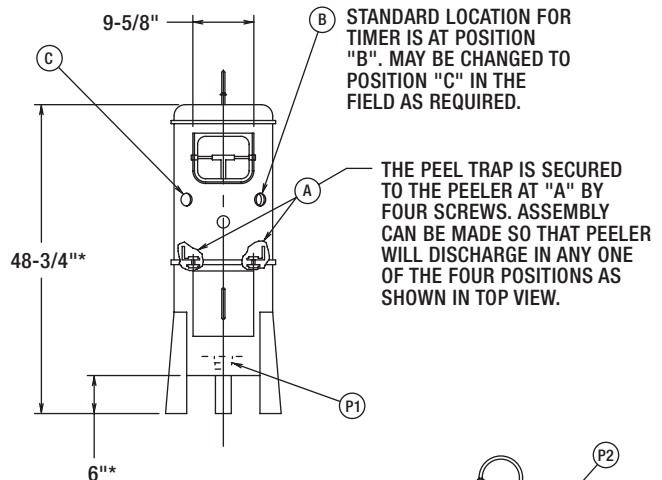
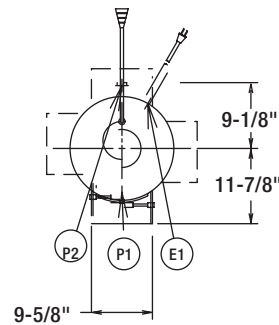
### WARNING

ELECTRICAL AND GROUNDING CONNECTIONS MUST COMPLY WITH THE APPLICABLE PORTIONS OF THE NATIONAL ELECTRICAL CODE AND/OR OTHER LOCAL ELECTRICAL CODES.

PLUMBING CONNECTIONS MUST COMPLY WITH APPLICABLE SANITARY, SAFETY AND PLUMBING CODES IN FORCE.



PLAN VIEW OF PEEL TRAP SHOWING HOLES IN LEGS FOR USE IN FASTENING TO FLOOR WHEN REQUIRED.



MODEL/ ELEC. CODE	ELECTRICAL SPECIFICATION	AMPS
6115/A	115/60/1	7.2
6115/C	230/60/1	3.6

As continued product improvement is a policy of Hobart, specifications are subject to change without notice.