



Project _____
 AIA # _____ SIS # _____
 Item # _____ Quantity _____ C.S.I. Section 114000



AM15 TALL ELECTRIC High Temperature Door-Style Dishwashing Machine



STANDARD FEATURES

- + .74 gallons per rack final rinse water
- + 58 racks per hour – hot water sanitizing
- + NSF pot and pan listed for 2-, 4- & 6-minute cycles
- + Timed wash cycles for 1, 2, 4 or 6 minutes
- + 27" door opening for 18" x 26" sheet pans or 60 quart mixing bowl
- + Solid state, integrated controls with digital status indicators
- + Self-draining, high efficiency stainless steel pump and stainless steel impeller
- + Stainless steel drawn tank, tank shelf, chamber, trim panels, frame and feet
- + Spring counterbalanced chamber with polyethylene guides
- + Revolving, interchangeable upper and lower anticlogging wash arms
- + Revolving, interchangeable upper and lower rinse arms
- + Slanted, self-locating, one-piece scrap screen and basket system
- + Automatic fill
- + Door actuated start
- + Automatic drain closure
- + Vent fan control
- + External booster activation
- + Delime cycle
- + Service diagnostics
- + Straight-through or corner installation
- + Hot water sanitation
- + 3/4" pressure regulator valve

SPECIFIER STATEMENT

Specified unit will be Hobart model AM15T high temperature door-type dishwashing machine. Features extended 27" door opening, auto-start, digital controls, NSF pot & pan listing, one piece scrap screen and basket system, interchangeable stainless steel wash and rinse arms, rinse 58 racks per hour, .74 U.S. gallons per rack.

1 year parts and labor warranty.

OPTIONS & ACCESSORIES (Available at extra cost)

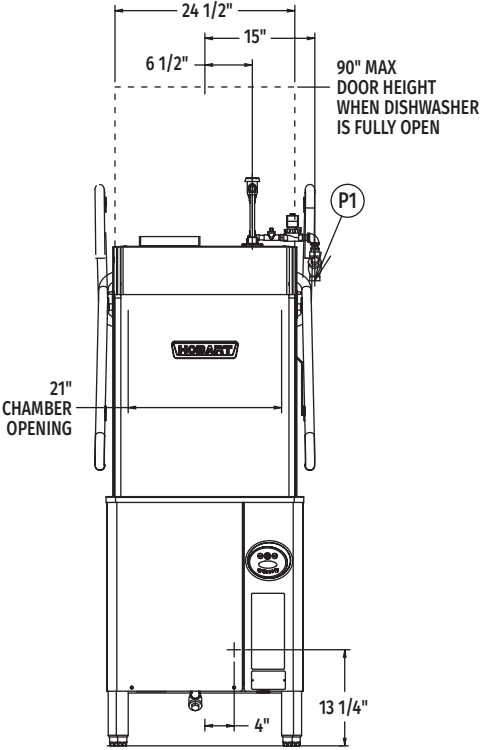
- Sense-A-Temp™ 70°F rise electric booster heater
- Single point electric kit (*field* installed) for booster equipped machines (3ph only)
- Single point electric kit (*factory* installed) for booster equipped machines (3ph only)
- Peg rack
- Combination rack
- Splash panel kit (for corner installations)
- Flanged and seismic feet
- End of cycle audible alarm (field activated)
- Delime notification (field activated)
- Front loading kit (field installation required)
- Drain water tempering kit
- Water hammer arrestor kit

AM SELECT SERIES – AM15 TALL ELECTRIC

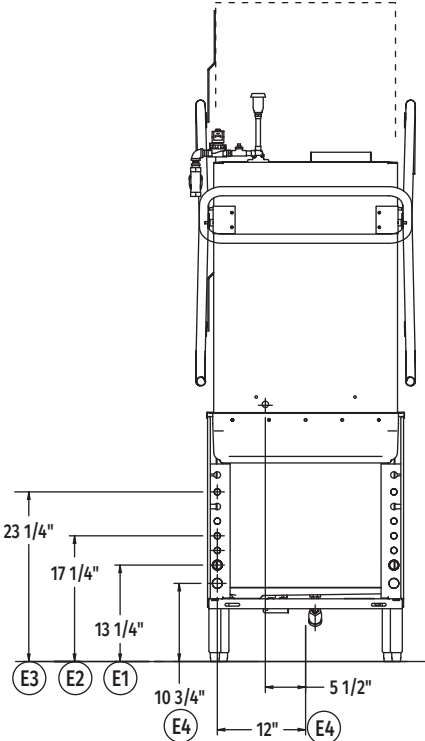
Approved by _____ Date _____ Approved by _____ Date _____



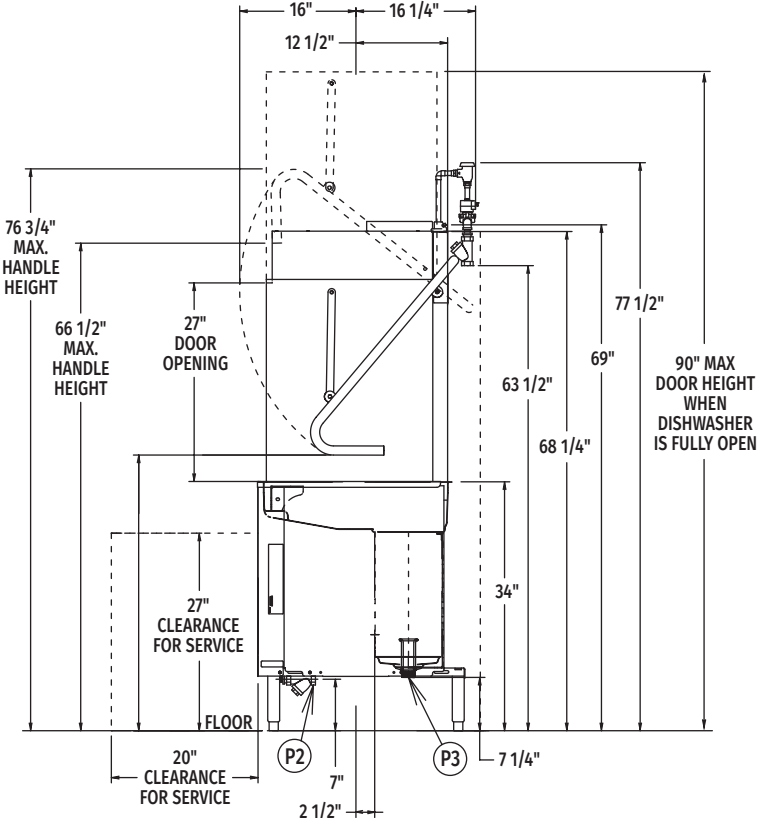
AM15 TALL ELECTRIC High Temperature Door-Style Dishwashing Machine



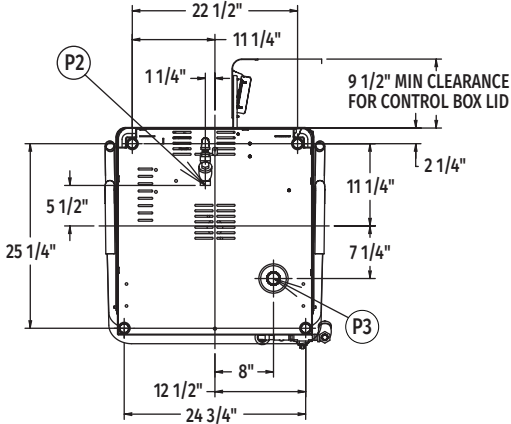
Front View



Rear View



Right Side View



Bottom View

MODEL:
AM15T
E-893960
REV F



AM15 TALL ELECTRIC High Temperature Door-Style Dishwashing Machine

LEGEND

Electrical Connections	
E1	Electric tank heat, motors & controls: 3/4" or 1" conduit, 13-1/4" AFF.
E2	External booster control (optional). 1/2" conduit hole. (Booster 1 & booster 2) 0.1 amps @120 FAC, 15-1/4" AFF.
E3	Internal electric booster heater (optional): 1" conduit, 10-3/4" AFF.
E4	Vent fan control. 1/2" conduit hole. (VFC1 & VFC2) 1.5 amps @ nameplate supply voltage, "ON", 17-1/4" AFF.
NOTE: Optional single point connection (when selected) can utilize either E1/E2 conduit.	
Plumbing Connections	
P1	Common water connection (for use without internal booster heater): 180°F minimum incoming water, 3/4" FTP, 52-1/2" AFF.
P2	Common water connection (for use with internal booster heater): 110°F minimum incoming water, 3/4" FTP, 7" AFF.
P3	Drain connection: 1-1/2 NPT, 7-1/4" AFF.
NOTE: Cold water connection at P3 (as needed) when optional drain water tempering kit is included: 55-80°F recommended water, 1/2" MPT, 7" AFF.	

WARNING: Plumbing and electrical connections should be made by qualified personnel who will observe all the applicable plumbing, sanitary, safety codes and National Electrical Code.

E1 AM15 with Electric Tank Heat, Motors and Controls			
Voltage	Rated Amps	Minimum Supply Circuit Ampacity	Maximum Protective Device
208/60/3	43.0	50	50
240/60/3	24.9	30	30
480/60/3	13.4	15	15

E2 Booster Heat 8.5kW, Minimum 110°F Incoming Water			
Voltage	Rated Amps	Minimum Supply Circuit Ampacity	Maximum Protective Device
208/60/3	35.4	50	50
240/60/3	20.4	30	30
480/60/3	10.2	15	15

SPECIFICATIONS

Capacities

Racks Per Hour (maximum)	58
Dishes per Hour (average 25 per rack)	1,450
Glasses per Hour (average 45 per rack)	2,610
Wash Tank (U.S. gallons)	14

Motor Horsepower

Wash	2
----------------	---

Water Consumption

Wash Pump (gallons per minute – Weir Test)	160
--	-----

Rinse

Minutes Operated during Hour of Capacity Operation	9.66
Seconds of Rinse per Rack	10
Rate of Rinse Flow (gallons per minute at 20 lbs. flow pressure)	4.4
Rinse Cycle (gallons per rack at 20 PSI flow)74-180°F Min.

Peak Rate of Drain Flow

Gallons per Minute (initial rate with full tank)	14
--	----

Heating

Electric Tank Heating Unit (kW)	5
Electric Booster Heater (kW) (optional)	8.5

Exhaust Requirements

.	450
-----------	-----

Shipping Weight (approximate)

.	354 lbs. (without booster)
.	384 lbs. (with booster)

Crated Dimensions

.	41.5"L x 35.5"W x 68"H
-----------	------------------------

Common Electrical Connection (Single Point) Service Includes Tank Heat, Motors, Controls and Internal Booster Heater			
Voltage	Rated Amps	Minimum Supply Circuit Ampacity	Maximum Protective Device
208-240/60/3	45.4	60	60
480/60/3	23.7	30	30
*200-240/50/3	45.4	60	60
*380-415/50/3	25.2	30	30
NOTE: Only available in 3ph machines, field or factory installed options.			

Plumbing Notes: Water hammer arrestor (meeting ASSE-1010 standard or equivalent) in common water supply line at service connection.

Recommended water hardness to be 4-6 grains or less for best results.

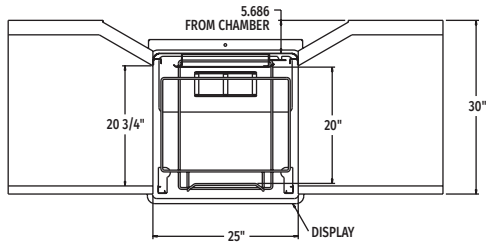
Recommended building flowing water pressure to the dishwasher is 15-25 PSI. If pressures higher than 25 PSI are present, a pressure regulating valve with internal thermal expansion bypass must be supplied (by others) in the water line to the dishwasher.

For convenience when cleaning, water tap should be installed near machine with heavy duty hose and squeeze valve.

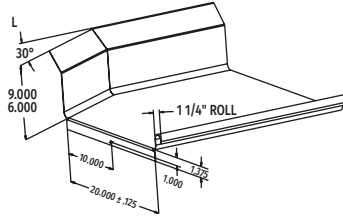


AM15 TALL ELECTRIC High Temperature Door-Style Dishwashing Machine

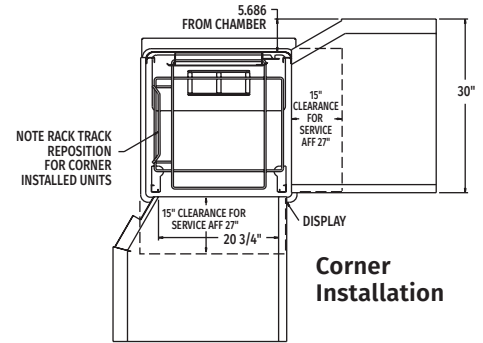
AM15 TABLING CONFIGURATIONS AND TRACK DESIGN



Pass Thru Installation



Suggested Track Design



Top Inside View of Machine

As continued product improvement is a policy of Hobart, specifications are subject to change without notice.