



BOTTOM LABEL APPLIER BLA

NEW BOTTOM LABEL APPLIER FOR AUTOMATICALLY APPLYING SAFE-HANDLING INSTRUCTIONS TO THE BOTTOM SIDE OF MEAT PACKAGES.

Now the Ultima scale system can be used for what it was designed to do and help the retailer improve merchandising of meat.

Print:

- Cooking instructions
- Health tips
- Graphics
- Nutritional information
- Cross merchandising information
- Frequent shopper information

Information That Today's Shoppers Are Looking For:

The bottom side of the package can be used to meet the requirements of safe handling and the top of the package can be used to sell more products. Meat department personnel can spend more time keeping the meat case full and less time answering redundant questions.

With the cooking instructions or nutritional information printed on the scale label, there's no need to worry about the shopper forgetting or losing the information. It will still be there when the shopper uses the product.

The Hobart Bottom Label Applier is highly reliable for applying preprinted safe handling instructions to the bottom side of meat packages.

The BLA can be added to new or existing installations. It can be added to a Hobart Roller Table for CSW/CLA installations where gravity moves the package across the label applicator or it can be mounted to a powered roller conveyor for ESW/ILA installations that require motorized rollers to move the package across the applicator.

Specifications, Details, Dimensions and Connections inside.



Bottom Label Applier shown with CLA Conveyor/HRT Roller Conveyor

BOTTOM LABEL APPLIER BLA

Specifications:

Bottom Label Applier: 115 Volts, 60 Hz., 1 Phase, .75 Amps.

Powered Roller Conveyor: 115 Volts, 60 Hz., 1 Phase, .45 Amps. 11" per second conveyor speed. Height adjustable from 34" to 48". 16" wide x 28" long.

Labels:

- 1½" x 2" labels.
- Hobart Part No. 184979-1.
- 2000 labels per roll.
- Ten rolls per case.

Benefits:

Labor Savings

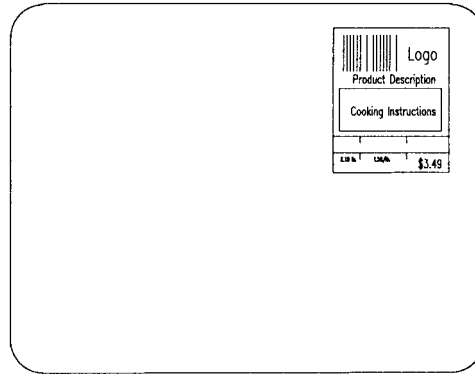
- Less time used to answer questions that now can be done by the scale label.
- Let the scale label do the job of other labels that are hand applied.
- Less labels to order and stock.

Sell More Products

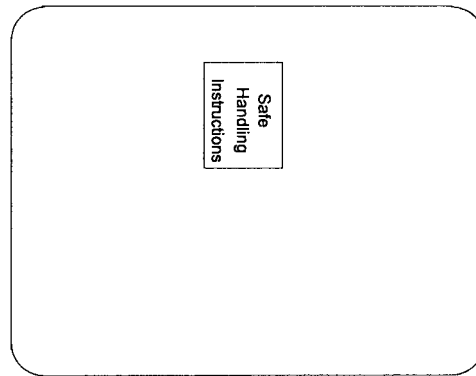
- Less hassle for the shopper to get the information they are looking for.
- Advertise other products that would go well with a particular cut of meat.

Cost Savings

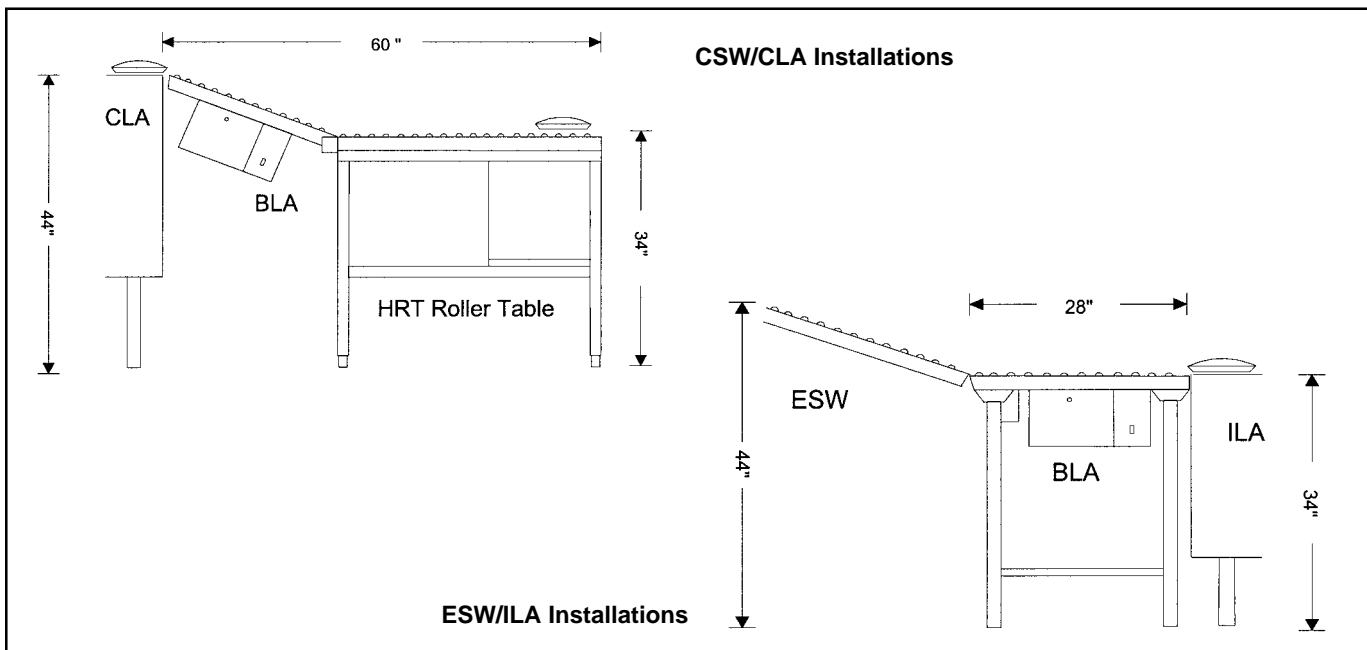
- Less expensive than using pre-printed film.



Top View

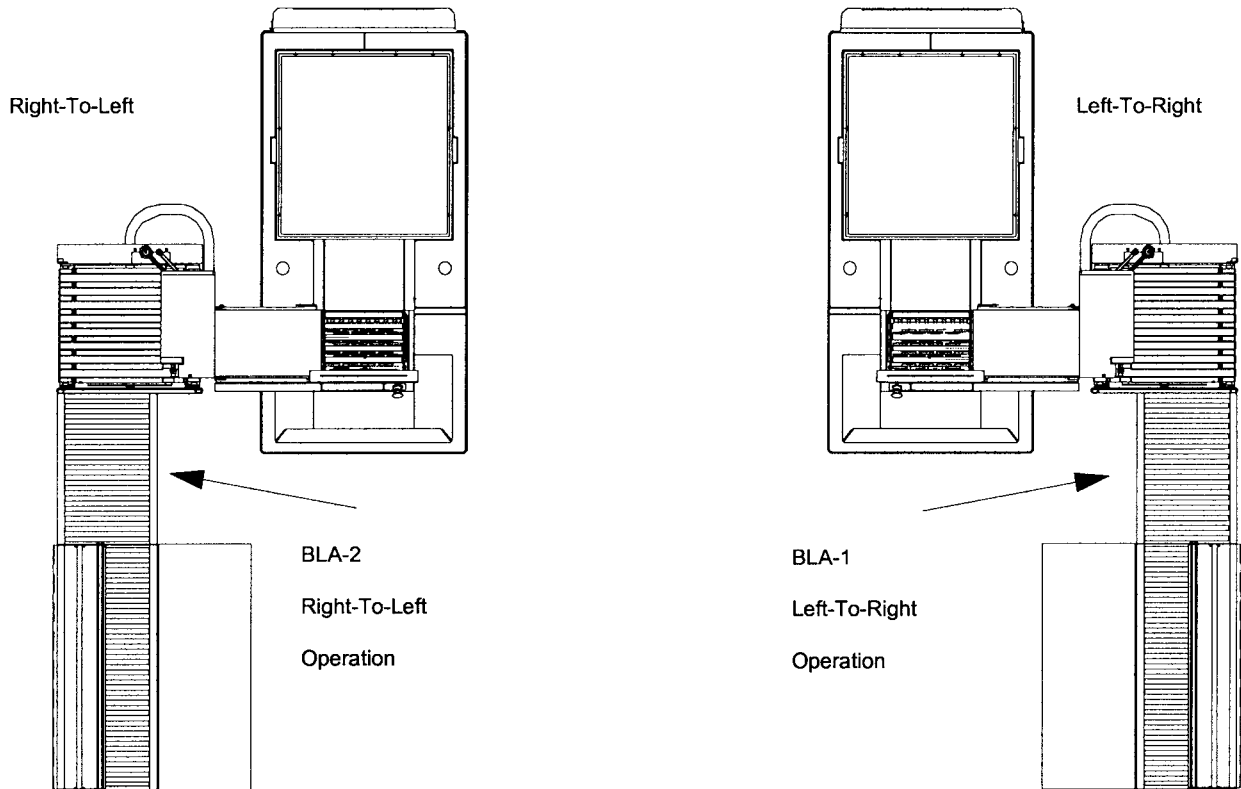


Bottom View



BOTTOM LABEL APPLIER BLA

CSW/CLA Installations



EQUIPMENT LIST

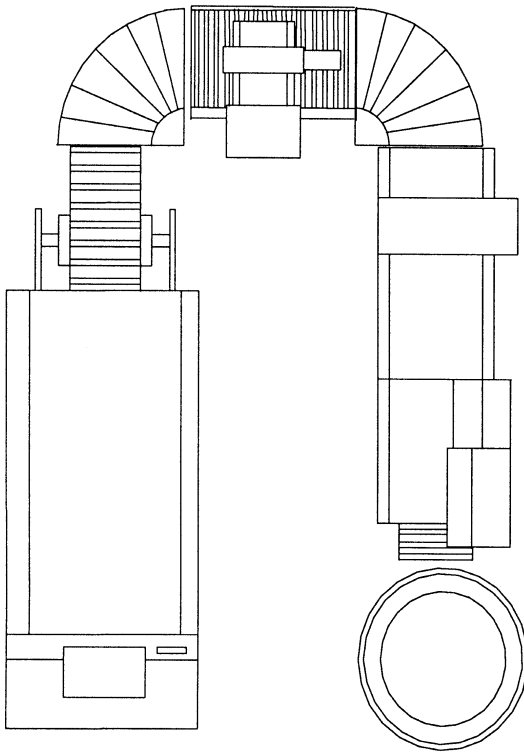
EQUIPMENT LIST	
Bottom Label Applier	
BLA-1	Bottom Label Applier, left-to-right operation, 110VAC, for use with Powered or Gravity Conveyors.
BLA-2	Bottom Label Applier, right-to-left operation, 110VAC, for use with Powered or Gravity Conveyors.
Roller Table	
HRT2-1	36" Long Work Area, 24" Long Adjustable Conveyor, 34" High, for use with NSW/CLA applications.
HRT3-1	48" Long Work Area, 24" Long Adjustable Conveyor, 34" High, for use with NSW/CLA applications.
Accessories for Roller Table	
HRT-LD136	Single Tier Label Dispenser, for 36" Wide Table.
HRT-LD236	Double Tier Label Dispenser, for 36" Wide Table.
HRT-LD248	Double Tier Label Dispenser, for 48" Wide Table.
HRT-LABKIT	Kit of 49 additional round disks to go between each roll of labels, (each dispenser comes with 20).



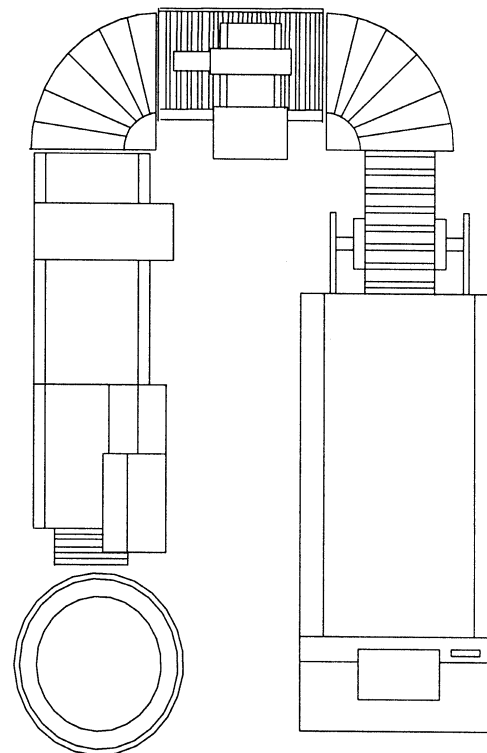
FOOD EQUIPMENT

ESW/ILA/HPA Installations

BLA-2
Right-To-Left
Operation



BLA-1
Left-To-Right
Operation



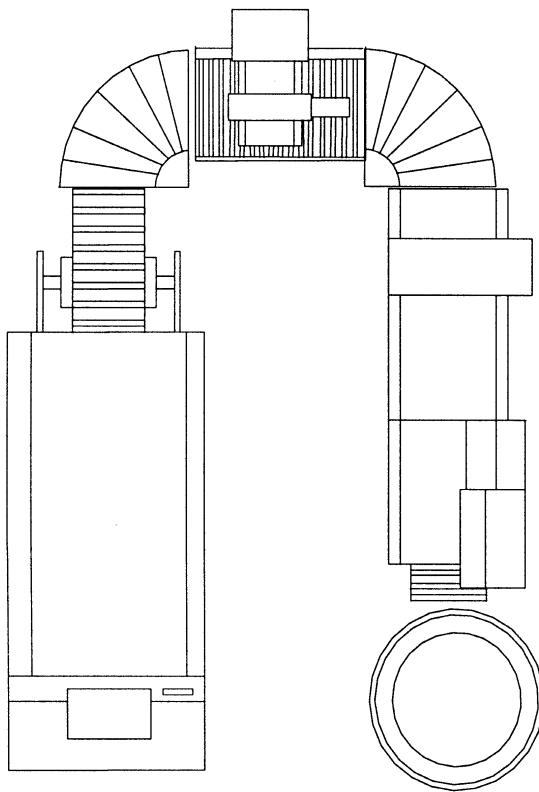
EQUIPMENT LIST

EQUIPMENT LIST	
Left to Right Installations	
BLA-1	Bottom Label Applier, left-to-right operation, 110 VAC, for use with Powered or Gravity conveyors.
BLA-PCONLR	Powered Roller Conveyor, 28" long x 14" wide, left-to-right operation, 110 VAC
Right to Left Installations	
BLA-2	Bottom Label Applier, right-to-left operation, 110 VAC, for use with Powered or Gravity conveyors.
BLA-PCONRL	Powered Roller Conveyor, 28" long x 14" wide, right-to-left operation, 110 VAC
Optional	
BLA-HPAKIT	HPA installation kit, post mounting hardware and new micro switch w/cable

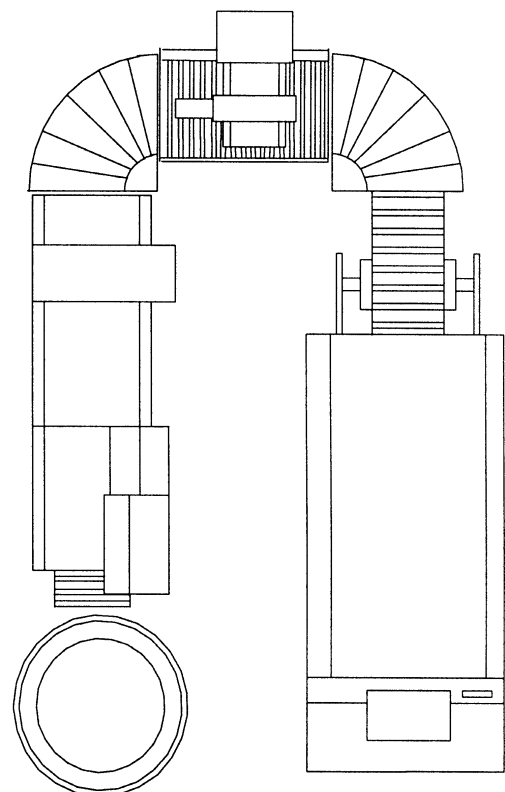
BOTTOM LABEL APPLIER BLA

ESW/ILA/HPA Installations

BLA-1
Left-To-Right
Operation



BLA-2
Right-To-Left
Operation



EQUIPMENT LIST

Left to Right Installations

BLA-1 Bottom Label Applier, left-to-right operation, 110 VAC, for use with Powered or Gravity conveyors.

BLA-PCONLR Powered Roller Conveyor, 28" long x 14" wide, left-to-right operation, 110 VAC

Right to Left Installations

BLA-2 Bottom Label Applier, right-to-left operation, 110 VAC, for use with Powered or Gravity conveyors.

BLA-PCONRL Powered Roller Conveyor, 28" long x 14" wide, right-to-left operation, 110 VAC

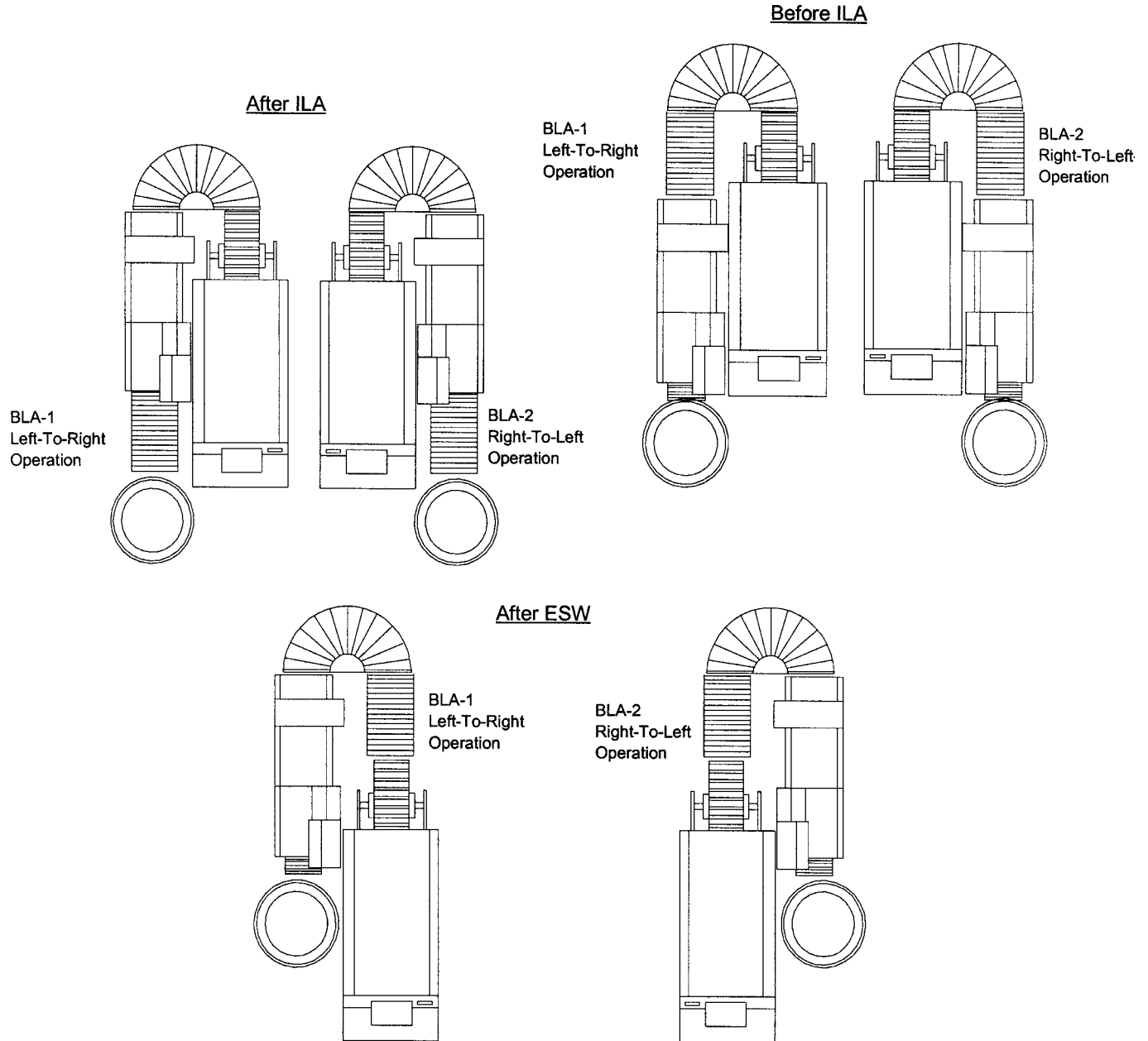
Optional

BLA-HPAKIT HPA installation kit, post mounting hardware and new micro switch w/cable



FOOD EQUIPMENT

ESW/ILA Installations



EQUIPMENT LIST

Left to Right Installations

BLA-1 Bottom Label Applier, left-to-right operation, 110 VAC, for use with Powered or Gravity conveyors.

BLA-PCONLR Powered Roller Conveyor, 28" long x 14" wide, left-to-right operation, 110 VAC

Right to Left Installations

BLA-2 Bottom Label Applier, right-to-left operation, 110 VAC, for use with Powered or Gravity conveyors.

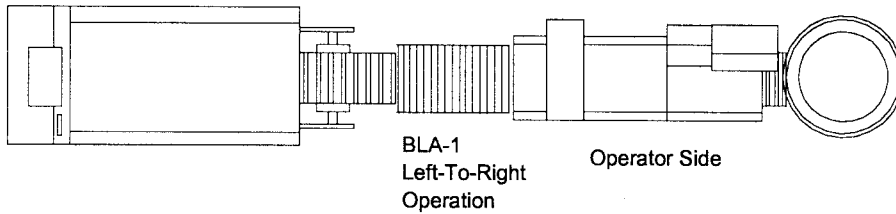
BLA-PCONRL Powered Roller Conveyor, 28" long x 14" wide, right-to-left operation, 110 VAC

Optional

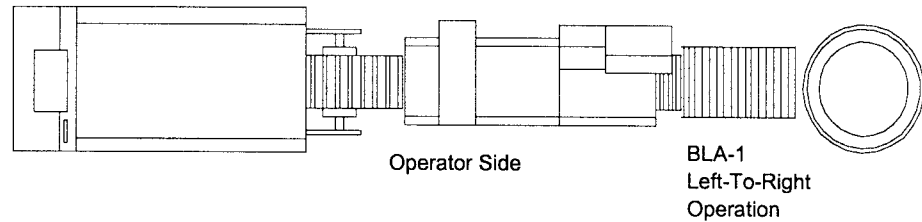
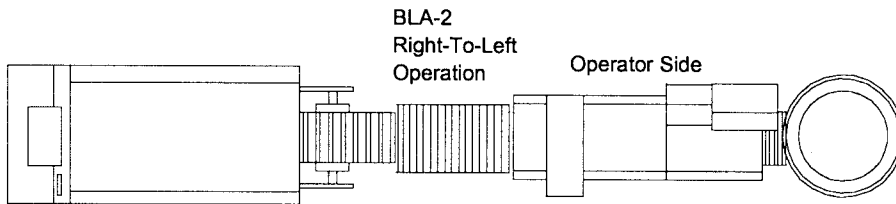
BLA-HPAKIT HPA installation kit, post mounting hardware and new micro switch w/cable

BOTTOM LABEL APPLIER BLA

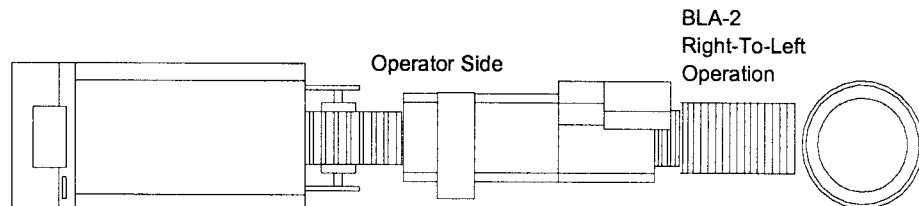
ESW/ILA Installations



Before ILA



After ILA



EQUIPMENT LIST

Left to Right Installations

BLA-1 Bottom Label Applier, left-to-right operation, 110 VAC, for use with Powered or Gravity conveyors.

BLA-PCONLR Powered Roller Conveyor, 28" long x 14" wide, left-to-right operation, 110 VAC

Right to Left Installations

BLA-2 Bottom Label Applier, right-to-left operation, 110 VAC, for use with Powered or Gravity conveyors.

BLA-PCONRL Powered Roller Conveyor, 28" long x 14" wide, right-to-left operation, 110 VAC

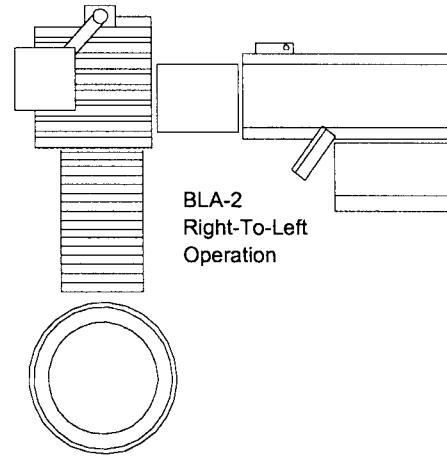
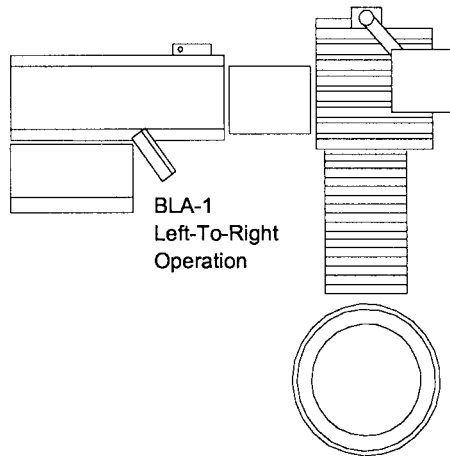
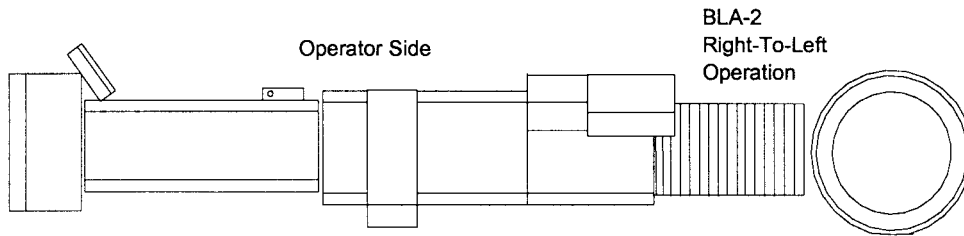
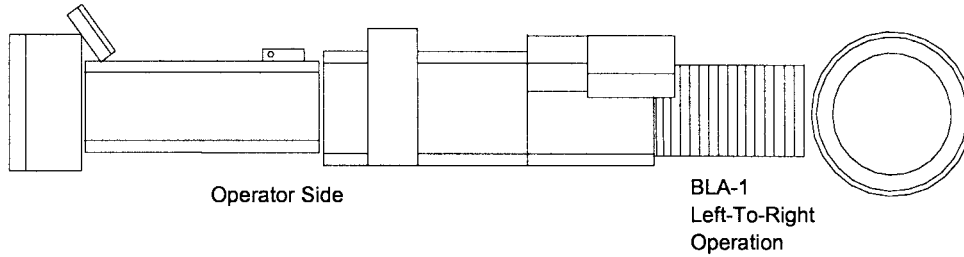
Optional

BLA-HPAKIT HPA installation kit, post mounting hardware and new micro switch w/cable

BOTTOM LABEL APPLIER BLA



Semi-Automatic Installations



EQUIPMENT LIST

EQUIPMENT LIST	
Left to Right Installations	
BLA-1	Bottom Label Applier, left-to-right operation, 110 VAC, for use with Powered or Gravity conveyors.
BLA-PCONLR	Powered Roller Conveyor, 28" long x 14" wide, left-to-right operation, 110 VAC
Right to Left Installations	
BLA-2	Bottom Label Applier, right-to-left operation, 110 VAC, for use with Powered or Gravity conveyors.
BLA-PCONRL	Powered Roller Conveyor, 28" long x 14" wide, right-to-left operation, 110 VAC
Optional	
BLA-HPAKIT	HPA installation kit, post mounting hardware and new micro switch w/cable



701 RIDGE AVENUE
TROY, OHIO 45374-0001