



Project _____
 AIA # _____ SIS # _____
 Item # _____ Quantity _____ C.S.I. Section 114000



LXeC COLD Undercounter



STANDARD FEATURES

- + 34 racks per hour
- + .74 gallons of water per rack
- + Chemical sanitation unit
- + Low chemical alert indicators
- + Delime notification with cycle
- + Chemical pump "auto-prime"
- + Service diagnostics
- + Deep drawn stainless steel tank
- + Microcomputer, top mounted controls with digital cycle/temperature display
- + Revolving upper and lower anti-clogging wash arms
- + Revolving upper and lower rinse arms
- + Removable stainless steel scrap screen
- + Corrosion resistant pump
- + Automatic pumped drain
- + 17" door opening
- + Automatic fill
- + Detergent, rinse aid and sanitizer pumps standard
- + Electric tank heat
- + Two dishracks – one peg and one combination type

OPTIONS & ACCESSORIES (Available at extra cost)

- Power cord kits
- Stainless steel base with 6" legs
- 17" stainless steel stand with storage
- External caster kit
- DWT-LXe drain water tempering kit – to comply with plumbing codes
- Splash reduction panels



SPECIFIER STATEMENT

Specified unit will be a NSF rated low temperature undercounter dishwasher operating on a hot water supply only with a 17" door opening. Features low chemical and delime notifications, .74 gallons per rack, LED temp and operator display, service diagnostics, rinse aid and detergent pumps. Constructed of stainless steel.

1-year parts and labor warranty.

LXe SERIES – LXeC COLD

Approved by _____ Date _____ Approved by _____ Date _____



LEGEND

Electrical Connections	
E1	Electrical connection: 1-3/8" dia. hole for 1" trade size conduit; 4-5/8" AFF.
Plumbing Connections	
P1	Single fill and rinse connection: 3/4" female garden hose fitting on 6' long hose supplied with machine; 120°F water min. for LXeC, 140°F recommended.
P2	Drain connection: 5/8" barb fitting with 6' long hose supplied with machine.

WARNING: Plumbing and electrical connections should be made by qualified personnel who will observe all the applicable plumbing, sanitary, safety codes and National Electrical Code.

Required flowing pressure to the dishmachine is 15-65 PSIG. If pressures higher than 65 PSIG are present, a pressure regulating valve must be installed in the water line to the dishmachine (by others).

Pressure gauge not required on pumped rinse machines.

Heat Output, BTU/Hour	
Latent	Sensible
1,900	800

(E1) STANDARD ELECTRICAL OPTIONS

Tank Heat, Booster, Pump & Controls			
Voltage	Rated Amps	Minimum Supply Circuit Ampacity	Maximum Protective Device
120/60/1	13.4	20	20

NOTE: For supply connections, use copper wire only rated at 90°C minimum. Accessory cord kit available for all machines.

SPECIFICATIONS

Capacities

Cycle Time (seconds)	105
Racks per Hour	34
Tank Capacity – Gallons	2.9

Motor Horsepower

Wash085
Rinse019

Water Consumption

U.S. Gallons per Rack (maximum use)	0.74
U.S. Gallons per Hour (maximum use)	25.0
Peak Drain Flow – U.S. Gallons	4.0

Temperatures °F

Wash	150
Rinse	180
Incoming Water Temperature (minimum recommended)	120

Heating

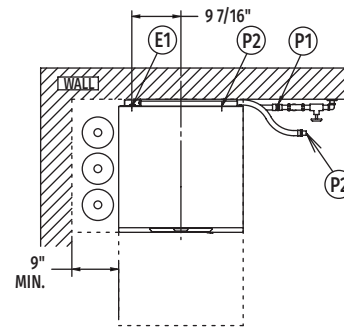
Tank Heat, electric (kW)	1.8
------------------------------------	-----

Standard 20" x 20" (508 x 508) Rack Complement

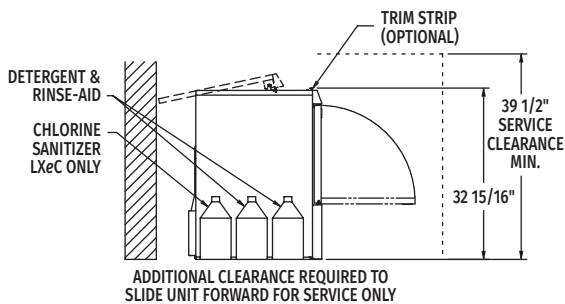
Flat	1
Peg	1

Shipping Weight (approximate) 170 lbs.

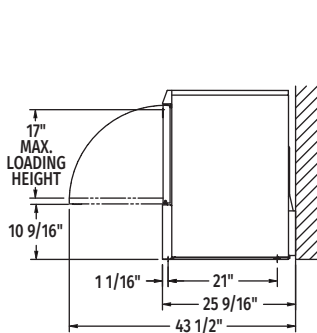
Crated Dimensions 28"W x 30"L x 37"H



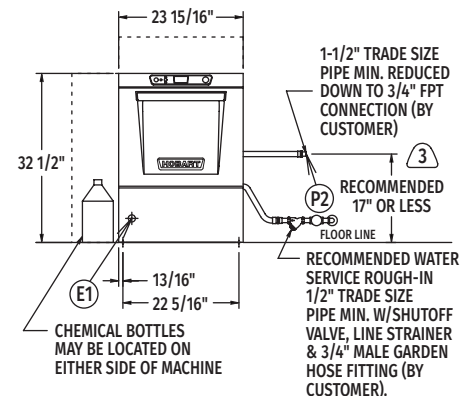
Top View



Left Side View



Right Side View



Front View

MODEL:
LXeC
00-947871
REV C