

**HOBART**701 S Ridge Avenue, Troy, OH 45374  
1-888-4HOBART • www.hobartcorp.com**PR309 HANGING  
DIAL SCALE****ECONOMICAL  
VERSATILE,  
CONVENIENT**

The Hobart Hanging Dial Scale is designed for easy use by clerks and customers. It is extremely fast, easy to read, load and unload.

**STANDARD FEATURES:**

- **Weighing Mechanism:** Full temperature compensating mechanism assures stability in environment changes.
- **Double Face Dials:** Dual face charts permit customer and clerk to read the scale from both sides.
- **Dampeners:** Two automatic dampeners. Reduces indicator oscillations for quick reading.
- **Housing:** Attractive chrome finished head makes the scale easy to clean.
- **Pan:** Durable stainless steel pan; removable for easy unloading and cleaning.
- **Charts:** See illustration on reverse side.
- **Meets Weights and Measures H-44, Class IV requirements.**
- **Shipping Weight:** 26 lb.

For speed, accuracy and dependability for your customers and your employees, install Hobart Model PR309 Hanging Scales.

Specifications, Details and Dimensions on Reverse Side.



# PR309 HANGING DIAL SCALE

**HOBART**

701 S Ridge Avenue, Troy, OH 45374  
1-888-4HOBART • www.hobartcorp.com

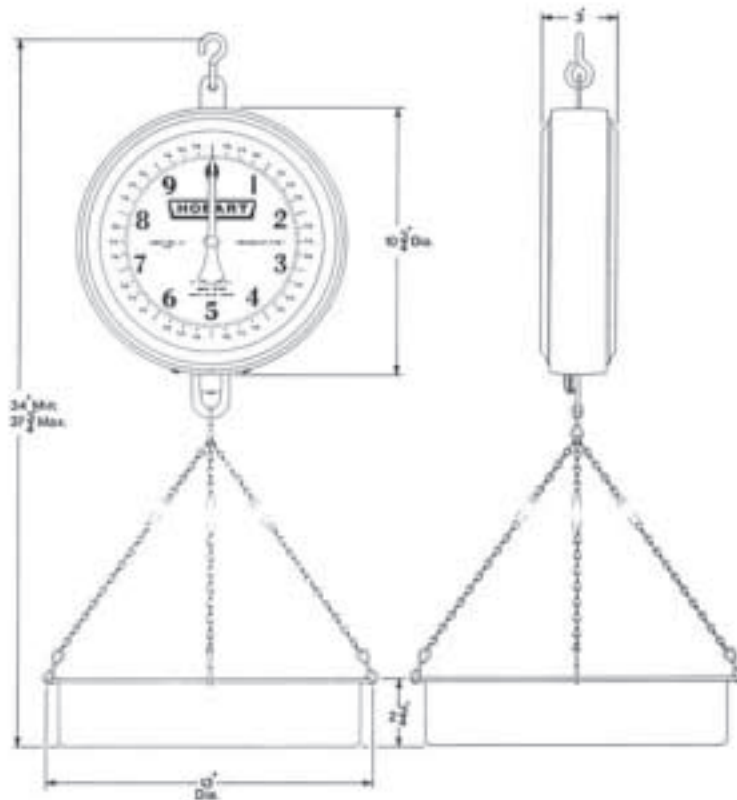
## CHART ILLUSTRATION



30" x 1 oz.  
Maximum Capacity 30 lb.  
Device No. PR309

Ideally suited for use wherever Model 5018 or 5018V Checkstand Scales are installed.

## DETAILS AND DIMENSIONS



**HOBART**  
CORPORATION

701 S RIDGE AVENUE  
TROY, OHIO 45374-0001

As continued product improvement is a policy of Hobart, specifications are subject to change without notice.

FORM F-8034 (REV. 8/03)

LITHO IN U.S.A. (H-01)

 Printed On Recycled Paper