



# eikon™ e2 Twin

Project: \_\_\_\_\_  
 Item: \_\_\_\_\_  
 Quantity: \_\_\_\_\_  
 Approval: \_\_\_\_\_  
 Date: \_\_\_\_\_

eikon™ e2 Twin

## Model

e2T



**Twice the throughput of single serve items from the same 30A outlet!**

## Standard Features

- Advanced Cooking Technology® with planar plume and microwave technologies for faster, even heating and browning
- “Ventless” Cooking” capabilities through built-in catalytic converter with full protein capabilities
- Ability to use a standard metal baking pan while in convection/microwave mode
- Automatic voltage detection (U.S. only)
- Up to ten (10) times faster than conventional cooking methods
- Power management system keeps power below 28 amps
- Quiet operation - maximum noise level of 62 dBA in idle mode

\*Local codes prevail. These are the “authority having jurisdiction” as stated by the National Fire Protection Association, Inc., in NFPA96-1994.

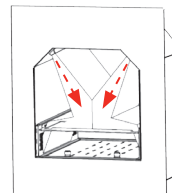
## Specifications

### Construction

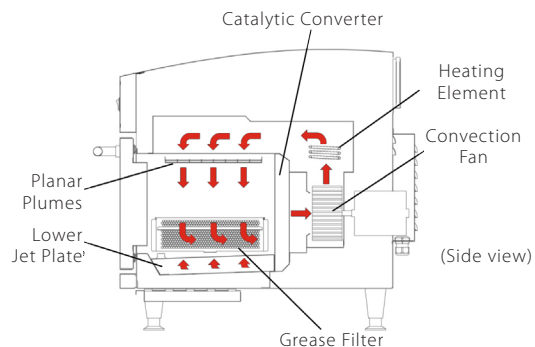
- 430 stainless steel casework and 304 stainless steel interior cavity
- Easily removable and cleanable grease and cooling air filters

### EasyToUCH™ Control Panel

- Icon driven, color touch screen control panel with the capability of storing up to 1,024 multi-stage recipe programs
- Each program offers up to six (6) stages with programmable cooking times, microwave power settings and user instructions for each stage
- Self diagnostics capability to monitor components
- Easy menu updates or data transfer via USB memory stick
- Multi-languages available



The e2 utilizes a new and patented heat transfer method called “planar plumes”. Heated air is directed into planes which collide above the food surface and are then drawn around the food.



Model  e2T

Merrychef U.S.A  
1111 N. Hadley Rd.  
Ft. Wayne, IN 46804

Tel: 888.417.5462  
Fax: 800.285-9511  
E-Mail: info@merrychefusa.com

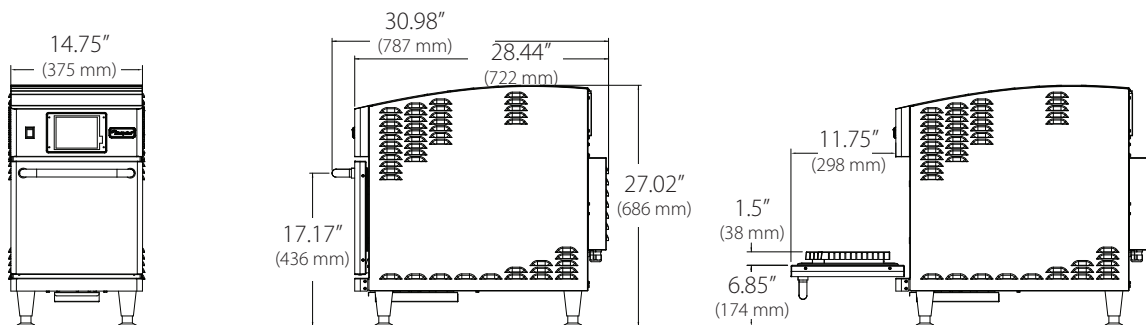
www.merrychefusa.com



Overall Size (Per Oven)		
Height (on 4" legs)	27"	686 mm
Width	31.5"	800 mm
Depth (overall without handle)	31"	787 mm
Depth (door open 90 degrees)	40.25"	1022 mm
Weight	150 lbs. (each)	68 kg (each)
Oven Cavity Dimensions (Per Oven)		
Height	9.6"	244 mm
Width	9.6"	244 mm
Depth	12"	305 mm
Wall Clearance (Per Oven)		
Top	2"	50.8 mm
Sides	2"	50.8 mm
Electrical Specifications (Per Oven)		
Phase	1 ph	
Voltage	208 / 240	
Frequency	60Hz	
Amperage Requirement	30 amp	
Plug	NEMA 6-30P	 NEMA 6-30P
Cord Length	6'	
Power Consumption	3100W	
Power Output (Microwave)	1000W	
Power Output (Heater)	2200W	

Specifications (Per Oven)	
Control System	easyToUCH™, iconic symbol touch screen control panel
Cooking Stages	6
Total Cooking Programs	1024 (each)
Maximum Cooking Time	60 Min
Defrost	No
Microwave Distribution System	Rotating Active Antennae
Magnetron(s)	1 (per oven)
Display	LCD Backlit
Interior Light	No
Automatic Voltage Sensor	Yes
USB & Menu Updates Software	Yes
Temperature Range	212-527°F (100-275°C)
Temperature Increments	1°F
Air Filter	Yes - Air & grease
Fan Speed	10%-100%
Fan Speed Increments	1%
Microwave Power	0-100%
Microwave Power Increments	1%
Rack Option	No
Rack Positions	1
Turntable	No
Stackable	No
Warranty	1 year parts and labor

**The dependent unit is not intended to operate as a stand alone unit.**



For further information on Merrychef products and service or advice on which machine suits you best, please contact your sales representative or visit our website at [www.merrychefusa.com](http://www.merrychefusa.com).