



## DESIGNED FOR HIGH VOLUME APPLICATIONS

15 Gallons per Hour – 25 Quart Capacity

### HIGH FROZEN PRODUCT VISIBILITY MEANS HIGH PROFITS!

The **SaniServ** model 108SHO Frozen Beverage Freezer provides owners and operators everything they are asking for: Frozen beverage visibility merchandising in a consistent and reliable machine! The extra large 8 inch face plate design allows customers to view colorful frozen beverages being offered without the condensation and unreliable operation of traditional “bubble top” machines! The high frozen product visibility, along with increased production and reliability, results in increased sales and high profits!

### SPACE SAVING

**Small Footprint Design - SaniServ** model 108SHO offers frozen product visibility in reliable space saving equipment and design! Owners and Operators can turn the countertop into a highly colorful profit center by providing the frozen beverages customers enjoy!

### EASY CLEANING AND OPERATION

**Fewer Parts = Simplified Cleaning – SaniServ** equipment is designed and built with the fewer parts to be disassembled, cleaned and sanitized than any other machine in the industry.

### HIGH RETURN ON INVESTMENT

**Increased Profits – SaniServ** machines combine affordable efficiency with consistent product quality and fast quiet operation to insure customer satisfaction with high profit frozen beverages.

### QUALITY DESIGN

**Durability – SaniServ** machines are built to achieve long and dependable life through simplicity of design. Every machine is shipped standard with a stainless steel exterior, durable steel interior frame construction, heavy-duty components and consistency systems.

# Model 108SHO

Countertop  
Frozen Beverage Machine



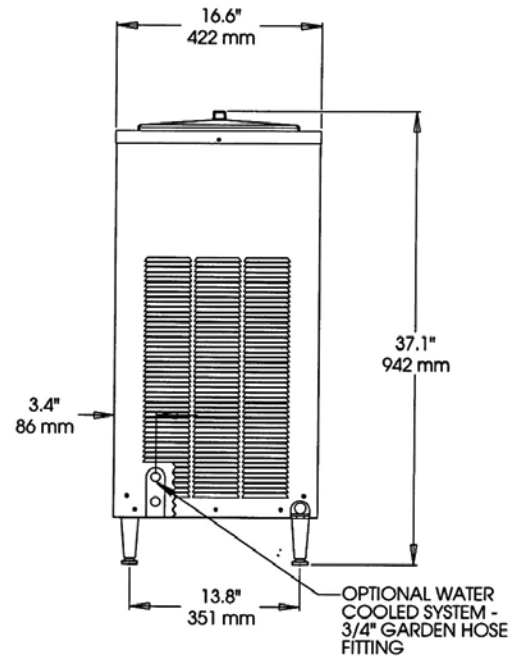
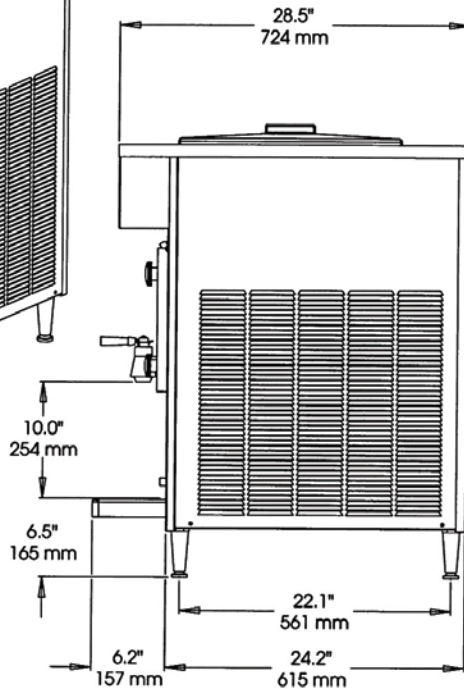
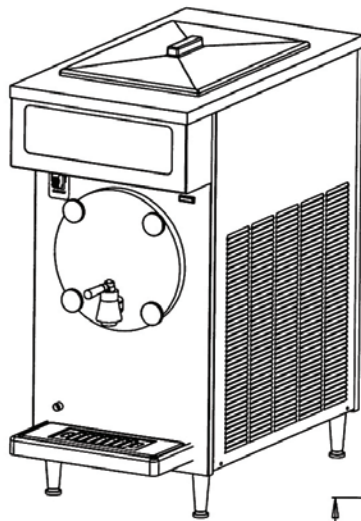
Made in USA

We reserve the right to change specifications and products design without notice. Such revisions do not entitle the buyer to corresponding changes, improvements, additions or replacements for previously purchased equipment



# MODEL 108SHO

## Counter Model Frozen Beverage/Cocktail Freezer



Minimum Wall Clearance  
Both Sides and Back -  
6 inches (152 mm)

ELECTRICAL				WIDTH	HEIGHT	DEPTH	WEIGHT	VOLUME
VOLTS	Hz	Ph.	Amps	INCHES (MM)	INCHES (MM)	INCHES (MM)	LBS. (Kg)	CU FT. (cu. m.)
208-230	60	1	25	16.6 (422)	37.1 (942)	28.5 (724)	210 (95)	
208-230	60	3	20					
Shipping Specifications				22.5 (572)	41 (1042)	34.5 (876)	250 (114)	18.5 (.53)

### Specifications:

**Cooling System:**  
Water

### Dasher and Compressor Motors:

1/2 HP Dasher  
2 HP Compressor

### Refrigerant Type:

R404A

### Listings:

UL, cUL, NSF

### Features:

**Evaporator and Mix Reservoir**  
**Capacity:**  
25 Quarts (23.6 liters)

### Dasher:

Heavy-Duty Stainless Steel with low friction scraper blades.

### Controls:

Automatic consistency controls for improved product consistency.

### Solid State Audio/Visual Mix Out System

### Warranty:

Parts 1 year  
Compressor 5 years  
Evaporator 5 years

### Options:

Tune Up Kit  
Parts Tray  
Drink Spinner  
Counter Top Mounting Pad  
Machine Stand  
Wash Out Kit - 3/8" Flare Fitting  
Water Cooled - 3/4" Garden Hose Fitting  
Export Voltage