



DESIGNED FOR HIGHER VOLUME APPLICATIONS

Seven – 4 oz. Servings per Minute – 20 Qt. Capacity

GREAT FOR RESTAURANTS, BUFFETS, & ICE CREAM SHOPS

The **SaniServ** model 414 Soft Serv Freezer provides high profit, consistent quality Soft Serv and yogurt products in a traditional single barrel design! The ease of operation of the model 414 is a favorite among owners and operators. The high production, capacity and recovery time insures the 414 is a perfect piece of equipment for satisfying customer demand and providing the frozen treats they want at any time!

SPACE SAVING

Compact Floor Model Design - SaniServ model 414 provides a high volume of Soft Serv and frozen yogurt products in the traditional floor model design. Operators can turn that valuable floor space into a high profit center by providing frozen treats customers enjoy!

EASY CLEANING AND OPERATION

Fewer Parts = Simplified Cleaning – SaniServ equipment is designed and built with the fewer parts to be disassembled, cleaned and sanitized than any other machine in the industry. The state of the art solid-state **AccuFreeze** control insures product consistency, worry-free operation and customer satisfaction.

HIGH RETURN ON INVESTMENT

Increased Profits – SaniServ machines combine efficiency with consistent product quality and fast quiet operation while insuring customer satisfaction with high profit ice cream or yogurt products.

QUALITY DESIGN

Durability – SaniServ machines are built to achieve long and dependable life through simplicity of design. Every machine is shipped standard with a stainless steel exterior, durable steel interior frame construction, heavy-duty components and consistency systems.

Model 414

Floor Model
Soft Serv
Ice Cream / Yogurt Machine
With **AccuFreeze** Control



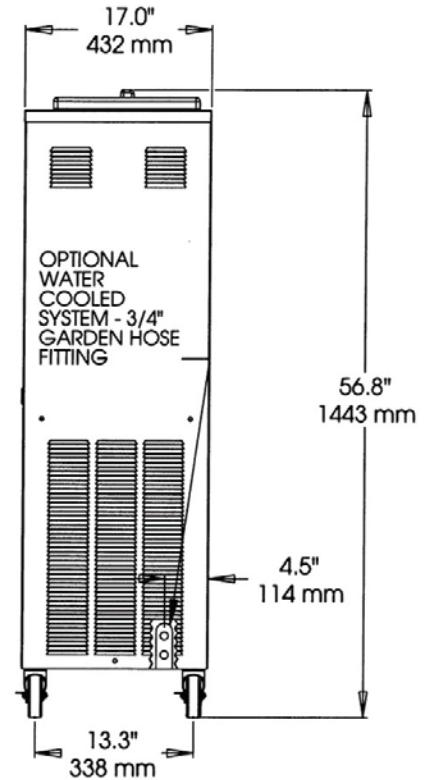
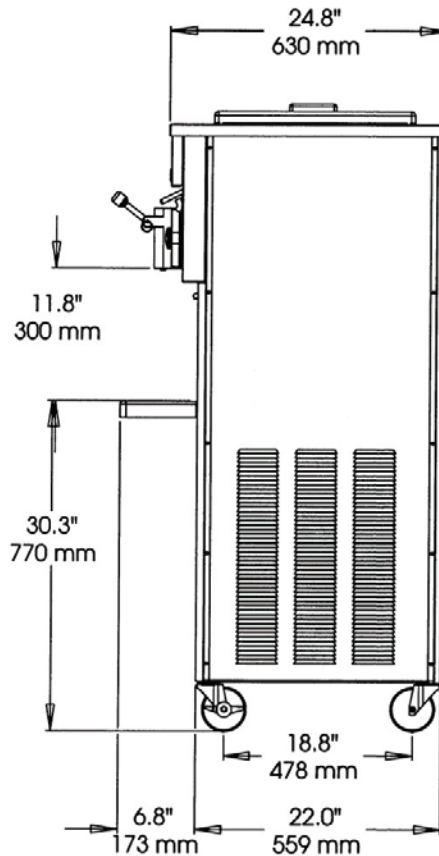
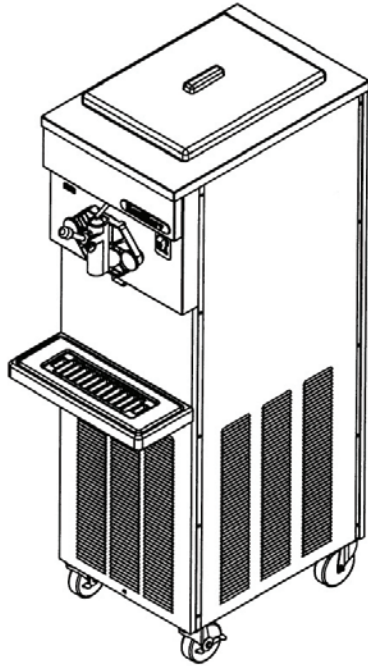
Made in USA

We reserve the right to change specifications and products design without notice. Such revisions do not entitle the buyer to corresponding changes, improvements, additions or replacements for previously purchased equipment



MODEL 414

Floor Model Shake Freezer



Minimum Wall Clearance
Both Sides and Back -
6 inches (152 mm)

ELECTRICAL				WIDTH	HEIGHT	DEPTH	WEIGHT	VOLUME
VOLTS	Hz	Ph.	Amps	INCHES (MM)	INCHES (MM)	INCHES (MM)	LBS. (Kg)	CU FT. (cu. m.)
208-230	60	1	30	17 (432)	56.5 (1435)	24.8 (630)	338 (153)	
208-230	60	3	20					
Shipping Specifications				24.5 (622)	58.1 (1476)	40.5 (1029)	380 (172)	32.4 (.92)

Specifications:

Cooling System:
Air or Water

Dasher and Compressor Motors:
1 HP Dasher
2 HP Compressor

Refrigerant Type:
R404A

Listings:
UL, cUL, NSF

Features:

Evaporator and Mix Reservoir Capacity:
20 Quarts (18.9 liters)

Dasher:
Heavy-Duty Stainless Steel with low friction scraper blades.

Controls:
AccuFreeze solid-state control for accurate product consistency.

Solid State Audio/Visual Mix Out System with Compressor Lockout

Warranty:

Parts 1 year
Compressor 5 years
Evaporator 5 years

Options:

Tune Up Kit
Parts Tray
Syrup Rail
Water Cooled - 3/4" Garden Hose Fitting
Wash Out Kit - 3/8" Flare Fitting