



## DESIGNED FOR HIGHER VOLUME APPLICATIONS

Five – 16 oz. Servings per Minute – 20 Qt. Capacity

GREAT FOR RESTAURANTS, BUFFETS, & ICE CREAM SHOPS

The **SaniServ** Model 614SAS Shake Freezer provides up to four flavors of uniform, smooth, high profit shakes! The 614SAS automatically mixes each shake uniformly to insure a perfect milk shake in the flavor desired! Owners and operators will appreciate the machine's quick recovery time and ability to provide everyone's favorite flavor quickly even during peak operating periods! The 614SAS can satisfy everyone with their favorite flavor every time!

### SPACE SAVING

**Compact Floor Model Design - SaniServ** model 614SAS provides a high volume of milk shake in the traditional floor model design. Operators can turn that valuable floor space into a high profit center by providing consistent high quality shakes customers demand.

### EASY CLEANING AND OPERATION

**Fewer Parts = Simplified Cleaning – SaniServ** equipment is designed and built with the fewer parts to be disassembled, cleaned and sanitized than any other machine in the industry.

### HIGH RETURN ON INVESTMENT

**Increased Profits – SaniServ** machines combine efficiency with consistent product quality and fast quiet operation while insuring customer satisfaction with high profit ice cream or yogurt products.

### QUALITY DESIGN

**Durability – SaniServ** machines are built to achieve long and dependable life through simplicity of design. Every machine is shipped standard with a stainless steel exterior, durable steel interior frame construction, heavy-duty components and consistency systems.

# Model 614SAS

Floor Model  
**Select-A-Shake Machine**



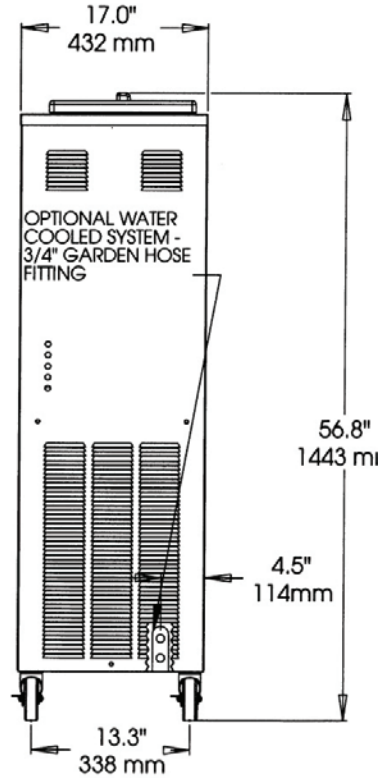
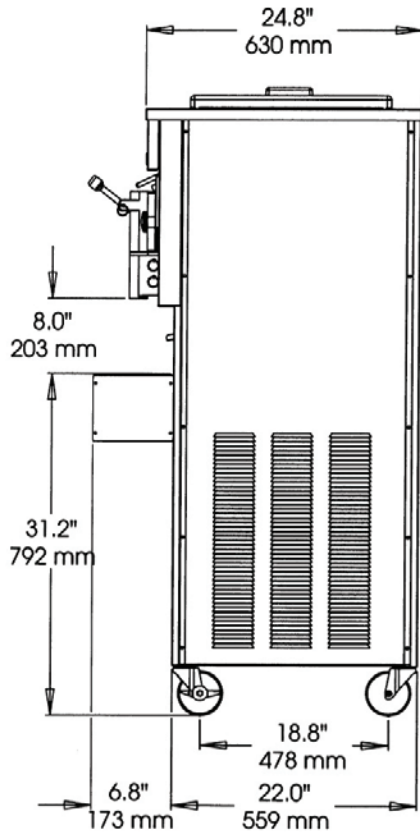
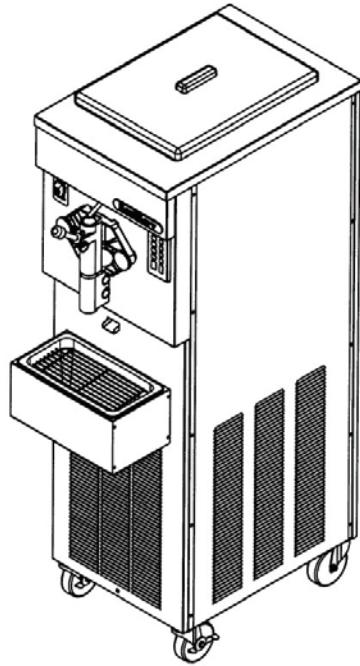
Made in USA

We reserve the right to change specifications and products design without notice. Such revisions do not entitle the buyer to corresponding changes, improvements, additions or replacements for previously purchased equipment



# MODEL 614SAS

## Floor Model Shake Freezer



Minimum Wall Clearance  
Both Sides and Back -  
6 inches (152 mm)

ELECTRICAL				WIDTH	HEIGHT	DEPTH	WEIGHT	VOLUME
VOLTS	Hz	Ph.	Amps	INCHES (MM)	INCHES (MM)	INCHES (MM)	LBS. (Kg)	CU FT. (cu. m.)
208-230	60	1	25	17 (432)	56.8 (1443)	24.8 (630)	352 (153)	
208-230	60	3	20					
Shipping Specifications				24.5 (622)	58.1 (1476)	40.5 (1028)	382 (173)	32.5 (.92)

### Specifications:

#### Cooling System:

Air or Water

#### Dasher and Compressor Motors:

1/2 HP Dasher  
2 HP Compressor

#### Refrigerant Type:

R404A

#### Listings:

UL, cUL, NSF

This unit requires CO2 connection and a water line connection. The unit comes with 10' syrup line, (3) three gallon canisters, and one regulator.

### Features:

#### Evaporator and Mix Reservoir

**Capacity:**  
20 Quarts (18.9 liters)

#### Dasher:

Heavy-Duty Stainless Steel with low friction scraper blades.

#### Controls:

Automatic consistency controls for improved consistency.

#### Tamper Proof Automatic Visual Mix Out System

### Warranty:

Parts 1 year  
Compressor 5 years  
Evaporator 5 years

### Options:

Tune Up Kit  
Parts Tray  
Syrup Rail  
Drink Spinner  
Water Cooled - 3/4" Garden Hose Fitting  
Wash Out Kit - 3/8" Flare Fitting