



DESIGNED FOR HIGH VOLUME APPLICATIONS

20 Gal per Hour - 20 Quart Capacity - Per Side

HIGH PRODUCTION AND TWO FLAVORS IN A FLOOR MODEL DESIGN

The **SaniServ** model 724 Floor Model Frozen Beverage Freezer provides not one but two frozen beverage flavors in a high production floor model machine! The output and versatility of the 724 means owners and operators can offer two frozen best sellers. Because each side of the machine utilizes its own 2 HP refrigeration system, customers are always insured of getting their favorites!

HEAVY DUTY

Floor Model Design - SaniServ model 724 provides a high volume of frozen beverages in the traditional floor model design. Operators will enjoy the ease of operation and the ability to utilize the 724's versatility to provide the different types of frozen beverages that customers want!

EASY CLEANING AND OPERATION

Fewer Parts = Simplified Cleaning – SaniServ equipment is designed and built with the fewer parts to be disassembled, cleaned and sanitized than any other machine in the industry. The state of the art solid-state **AccuFreeze** control insures product consistency, worry-free operation and customer satisfaction.

HIGH RETURN ON INVESTMENT

Increased Profits – SaniServ machines combine affordable efficiency with consistent product quality and fast quiet operation to insure customer satisfaction with high profit frozen beverages.

QUALITY DESIGN

Durability – SaniServ machines are built to achieve long and dependable life through simplicity of design. Every machine is shipped standard with a stainless steel exterior, durable steel interior frame construction, heavy-duty components and consistency systems.

Model 724

Floor Model

Twin Flavor

**Frozen Beverage Machine
With AccuFreeze Control**



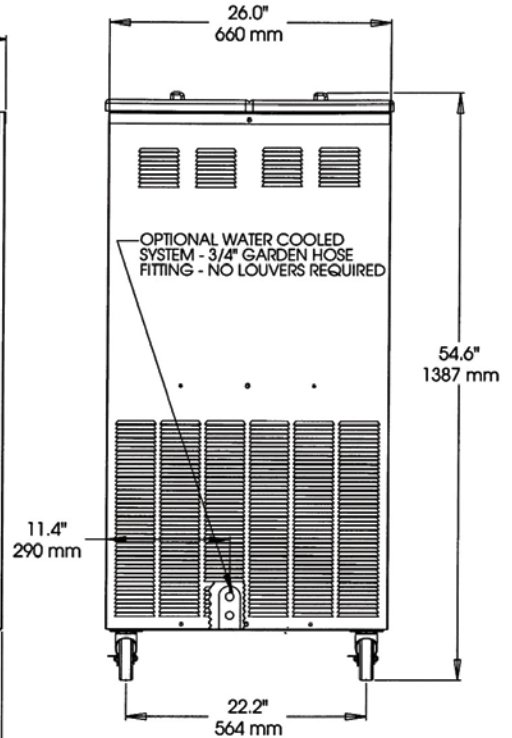
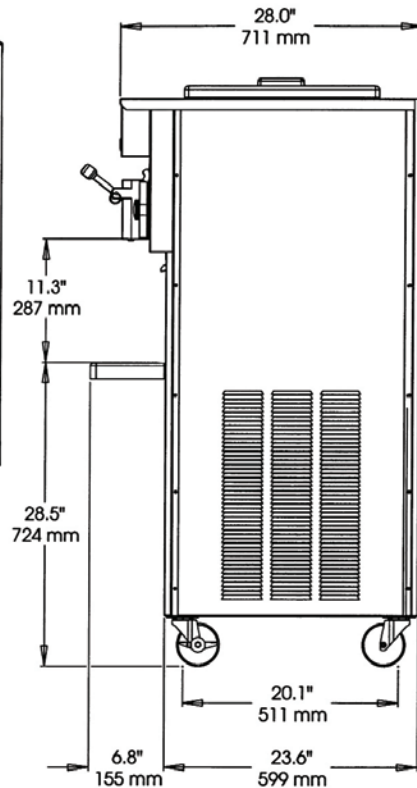
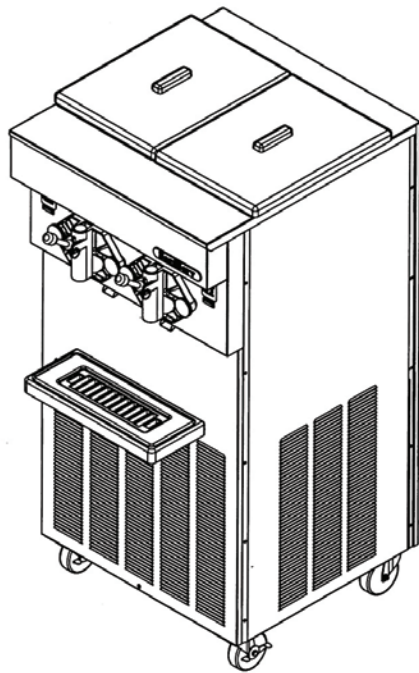
Made in USA

We reserve the right to change specifications and products design without notice. Such revisions do not entitle the buyer to corresponding changes, improvements, additions or replacements for previously purchased equipment



MODEL 724

Floor Model Twin Head Frozen Beverage Freezer



Minimum Wall Clearance
Both Sides and Back -
6 inches (152 mm)

ELECTRICAL				WIDTH	HEIGHT	DEPTH	WEIGHT	VOLUME
VOLTS	Hz	Ph.	Amps	INCHES (MM)	INCHES (MM)	INCHES (MM)	LBS. (Kg)	CU FT. (cu. m.)
208-230	60	1	2x25	26 (660)	54.6 (1387)	28 (711)	501 (228)	
208-230	60	3	2x20					
Shipping Specifications				37 (940)	60 (1524)	41 (1024)	541 (246)	52.7 (1.49)

Specifications:

Cooling System:

Air or Water

Dasher and Compressor Motors:

- (2) 1/4 HP Dasher
- (2) 2 HP Compressor

Refrigerant Type:

R404A

Features:

Evaporator and Mix Reservoir

Capacity:

20 Quarts (18.9 liters) per side

Dasher:

Heavy-Duty Stainless Steel with low friction scraper blades.

Controls:

AccuFreeze solid-state control for accurate product consistency.

Solid State Audio/Visual Mix Out System with Compressor Lockout

Warranty:

- Parts 1 year
- Compressor 5 years
- Evaporator 5 years

Options:

- Tune Up Kit
- Parts Tray
- Drink Spinner
- Syrup Rail
- Wash Out Kit - 3/8" Flare Fitting
- Water Cooled - 3/4" Garden Hose Fitting
- Export Voltage