



Job: \_\_\_\_\_

Item No. \_\_\_\_\_

## DESIGNED FOR LOW VOLUME APPLICATIONS

Two 3 oz. Servings per minute – 7 Quart Capacity

### ECONOMICAL IN PRICE & SPACE!

The **SaniServ** model DF200 Soft Serve/Yogurt Freezer is ideal for providing small servings, samplers, and adding a-la-mode to favorite desserts. Economical in price and space, **DuraFreeze** offers the prospect for high profits and customer satisfaction.

### SPACE SAVING

**Small Footprint Design - SaniServ DuraFreeze 200** saves valuable floor space and turns the countertop into a real profit center by serving high profit ice cream and yogurt products.

### EASY CLEANING AND OPERATION

**Fewer Parts = Simplified Cleaning – SaniServ** equipment is designed and built with the fewest parts to be disassembled, cleaned and sanitized than any other machine in the industry.

### HIGH RETURN ON INVESTMENT

**Increased Profits – SaniServ** machines combine affordable efficiency with consistent product quality and fast, quiet operation to insure customer satisfaction with high profit frozen beverages.

### QUALITY DESIGN

**Durability – SaniServ** machines are built to achieve long and dependable life through simplicity of design. Every machine is shipped standard with a stainless steel exterior, durable construction, heavy-duty components and consistency systems.

# Model DF200

Counter Model

**Soft Serve**

**Ice Cream / Yogurt Machine**

**DuraFreeze**

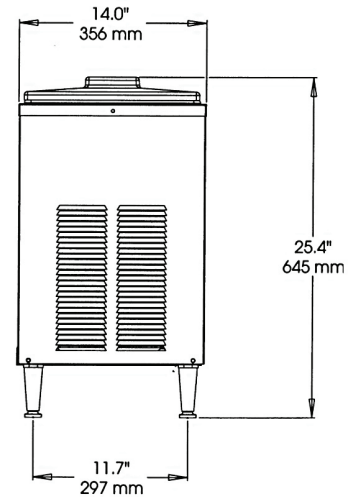
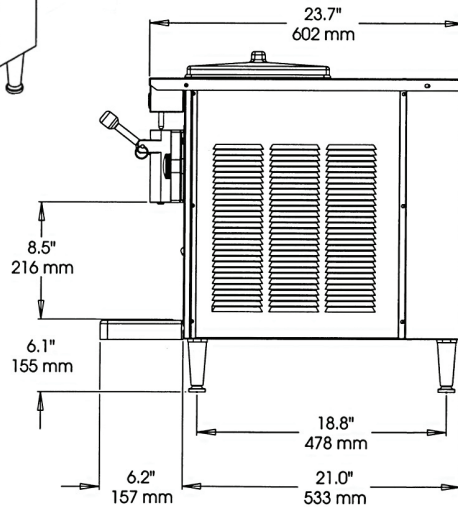
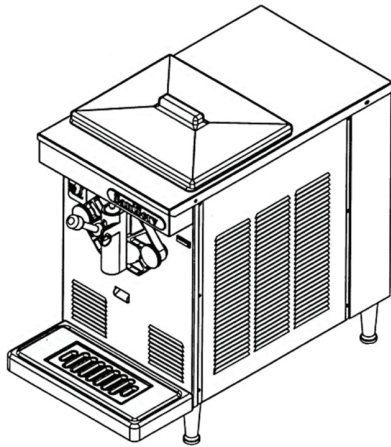


Made in USA

We reserve the right to change specifications and product designs without notice. Such revisions do not entitle the buyer to corresponding changes, improvements, additions or replacements for previously purchased equipment.

# MODEL DF200

## Counter Model Soft Serve/Yogurt Machine



Minimum Wall Clearance  
Both Sides and Back -  
6 inches (152 mm)

ELECTRICAL				WIDTH	HEIGHT	DEPTH	WEIGHT	VOLUME
VOLTS	Hz	Ph.	Amps	INCHES (MM)	INCHES (MM)	INCHES (MM)	LBS. (Kg)	CU FT. (cu. m.)
115	60	1	15	14 (356)	25.4 (645)	23.7 (602)	145 (66)	
Shipping Specifications				22.5 (571)	31.5 (800)	34.5 (876)	185 (84)	8.6 (.25)

### Specifications:

**Cooling System:**  
Air Only

**Dasher and Compressor Motor:**  
1/2 HP Dasher  
1/2 HP Compressor

**Refrigerant Type:**  
R404A

**Listings:**  
UL, cUL, NSF

### Features:

**Evaporator and Mix Reservoir**  
**Capacity:**  
7 Quarts (5.7 liters)

**Dasher:**  
Heavy-Duty Stainless Steel with low friction scraper blades.

**Controls:**  
Automatic consistency controls.

### Warranty:

Parts 90 days  
Compressor 1 year  
Labor 30 days

### Options:

Tune Up Kit  
Machine Stand  
Custom Graphic