

# EVOLUTION ASP

MODEL # EVOLUTION



*Make  
it  
Wonderful*

Item #:
Description:
Quantity:

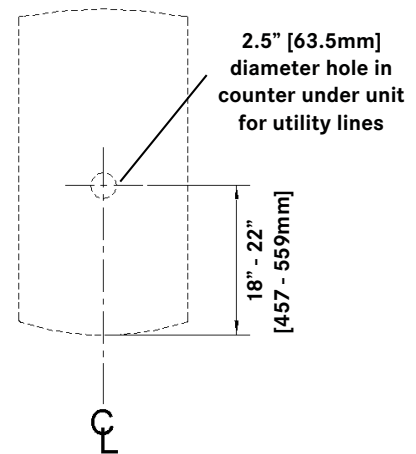
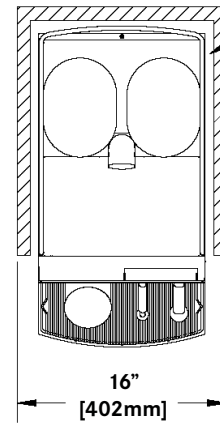
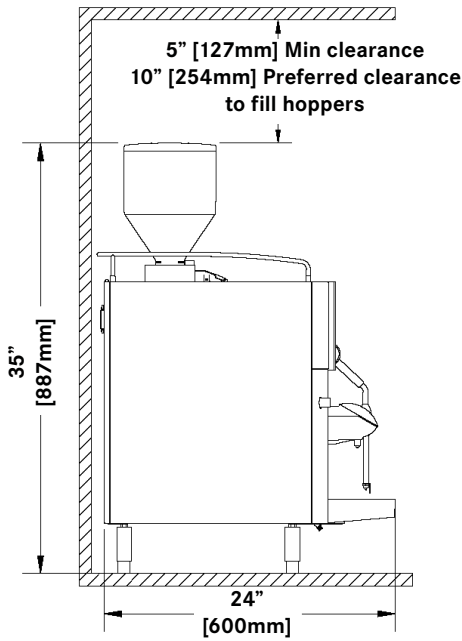
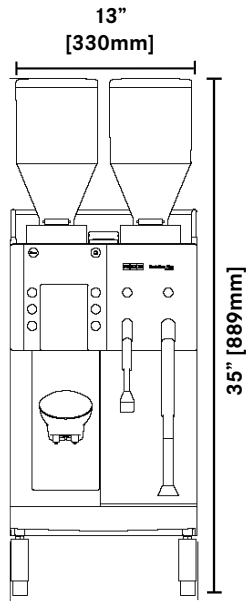
## PRODUCT INFORMATION

The Evolution is a powerful 2-Step espresso machine. With Franke's patented Autosteam Pro™ intelligent steam wand, you can heat or froth milk at the touch of a button whenever you need it. Milk, air and steam are automatically blended to produce perfectly frothed milk. Both the temperature and air supply can be programmed for each product, creating milk textures that are specific to each coffee beverage. The steaming technology of the Autosteam Pro™ provides a great solution for maintaining that personal café experience your customers' love, while also keeping barista training to a minimum. This is a coffee machine with character and the ideal solution for successful coffee programs in bakeries, cafes, schools, markets and specialty coffee shops alike.

## FEATURES

- Compact 13" footprint saves valuable counter space
- Stainless steel finish
- One touch grind, tamp and brew
- Simultaneous espresso extraction and milk steaming
- Autosteam Pro™ intelligent steam arm
  - Insulated for minimum heat transfer and added safety
  - Programmable milk quality and temperature settings
- Standard programmable hot water outlet
- Accommodates cup sizes 3.5" - 6.5"
- (2) 2.5lb bean hoppers (produce 150 single shot espressos)
- (2) low-noise ditting grinders with long-life ceramic burrs
- 4800W, 2.9L stainless steel boiler, no recoup time with stable temperatures
- Automatic rinse program
- Professional installation and 1 year scheduled maintenance program available
- 12 month parts and labor warranty

**FRANKE**



L6-30R



ELECTRICAL	V/Ph/Hz	Wattage	Amp Load	Amp Circuit	Plug	SHIPPING*	FOB	Freight Class	Ship Weight	
	Evolution	208V/1/60	4800W	23 A	30 A		NEMA L6-30P	Evolution	37334	LTL 250
DIMENSIONS	Width	Depth	Height				WATER	Water Line	Water Hardness	Drain
	Evolution	12.60" 320mm	23.62" 600mm	35.04" 890mm	Evolution	G 3/8"		1-5 gpg	1" vented	

\*Shipping weights include an extra 15lbs for water filter and install kits

©2015 Franke Foodservice Systems, Inc. - This media is the confidential and proprietary property of Franke Foodservice Systems, Inc. and shall not be reproduced in any form of media without the expressed written permission of a Franke representative. Due to continuous product development, Franke Foodservice Systems, Inc., reserves the right to make changes in design and specifications without prior notice. Under license Franke Technology and Trademark Ltd., Switzerland. Printed in USA.

Franke Coffee Systems Americas  
 800 Aviation Parkway  
 Smyrna, TN 37167  
 Tel +1-877-379-3769  
 frankeamericas.com

