

PRODUCT NAME: _____ LOCATION: _____

ITEM: _____ MODEL: _____



ABF10
10 lb. Deep Fryer

FEATURES LIST

Model	Voltage
CPF10	(120V)

SPECIFICATIONS

- All stainless steel construction
- Removable, stainless steel fry pot with handles
- 70°F – 375°F thermostat
- High temp thermal limit control with manual reset
- Convenient, cool-to-touch limit control with manual rest
- Nickel-plated fry baskets with cool-to-touch insulated handles included
- 3½" stainless steel adjustable feet
- Heavy duty nesting bar for hanging baskets
- Attached 4-foot power cord and plug

CAPACITIES

Oil Capacity

Model: CPF10 - Oil Capacity = 10 lbs.

Capacity

Model: CPF10 - Fries per hour = 10 lbs.

Applications

- Designed for light duty cooking applications
- Produces 10 lbs of fries per hour – frozen to finish
- 10 lb model can be plugged into standard 120-volt, 15-amp outlet

WARRANTY

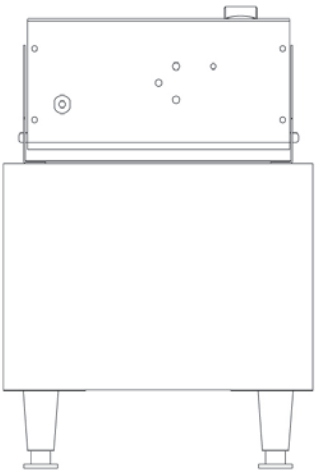
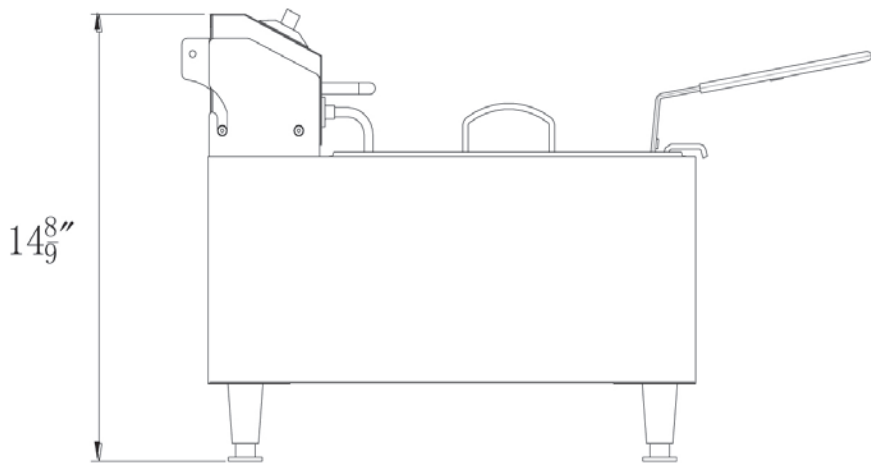
One-year limited warranty

Specifications subject to change without notice

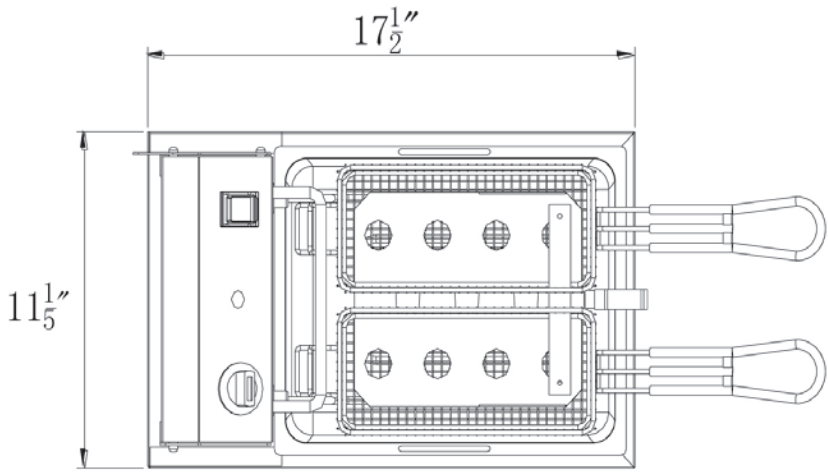
Approvals:




PLAN VIEW



Basket Size: 4.5" W x 9.5" D x 6" H



CPF10
10 lb. Deep Fryer

Plug Type - NEMA 5-15P 

Printed in U.S.A. 7-2017

DIMENSIONAL DATA

Model	UPC	Oil Capacity	Controls	W X D X H	(lbs./hr)	Voltage	Watts	Plug Type	Amps	Cord	Weight
CPF10		10 lbs.	1	11.2 x 17.5 x 14.9	11.5	120V	1700	5-15P	14.2	48"	21

*Product based on lbs. of potatoes per hour (frozen to finish)