

Project

Item #

Quantity



GLOBE FOOD EQUIPMENT COMPANY

Electric Panini & Sandwich Grills

CPPGS1/CPPGM1/CPPGM2/CPSGS1/CPSGM1



CPSGM1



CPPGM1

Commercial Pro

Electric Panini & Sandwich Grills

Globe.
The ULTIMATE in
Countertop Equipment

Models

- CPPGS1 Small Panini Grill
- CPPGM1 Med. Panini Grill (120V)
- CPPGM2 Med. Panini Grill (208-240V)
- CPSGS1 Small Sandwich Grill
- CPSGM1 Med. Sandwich Grill



Standard Features

- Panini and Sandwich Grills come in two sizes each - small 10"x10" and medium 14"x10"
- Seasoned, heavy duty, cast iron griddle plates
- Panini grills have grooved plates for grilling
- Sandwich grills have smooth plates for grilling
- Machine-finished cooking surfaces
- Stainless steel construction
- On/Off switch
- Handles for easy toting
- Heavy duty hinge
- 3½" stainless steel adjustable feet
- Removable, easy-to-clean, stainless steel catch tray
- 4-foot power cord

Plate Configurations

- Panini Grill - grooved plates
- Sandwich Grill - smooth plates

Standard Accessories

- Stainless Steel Catch Tray

Applications

- Monte Cristo sandwiches
- Cuban sandwiches
- Quesadillas
- Burritos
- Ham & cheese sandwiches
- Veggies
- Philly steak sandwiches

Standard Warranty

- Onsite Warranty:
One-year parts and labor or replacement

Approved By: _____

Date: _____



GLOBE FOOD EQUIPMENT COMPANY

www.globeslicers.com

2153 Dryden Rd.
Dayton, OH 45439
Phone: 937-299-5493
Phone: 800-347-5423
Fax: 937-299-4147



For Indoor Use Only

Electrical:

CPPGS1: 120V, 1800W, 15amps

CPPGM1: 120V, 1800W, 15amps

CPPGM2: 208-240V, 1800W-2400W, 15amps

CPSGS1: 120V, 1800W, 15amps

CPSGM1: 120V, 1800W, 15amps

Grill Cooking Surface Areas:

CPPGS1 & CPSGS1:
grill area 10" x 10"
(25.4 cm x 25.4cm)

CPPGM1, CPPGM2 & CPSGM1:
grill area 14" x 10"
(35.6 cm x 25.4cm)

Specifications

Cord and Plug: 4-foot flexible, three-wire cord with ground plug (5-15P on all 120V models).

Thermostats: The temperature is thermostatically controlled.

Consistent Heating: Grill will maintain a selected temperature to ensure product consistency.

Standard Equipment: Standard equipment includes grill, 4 stainless steel feet, and one easy-to-remove catch tray.

Catch Tray: Stainless steel tray continuously collects grease and crumbs while cooking on the grill.

CPPGS1- Small Panini and CPSGS1 - Small Sandwich Dimensions:
Overall Length = 18.3" (46.4 cm)
Overall Width = 17.6" (44.5 cm)
Overall Height = 10.7" (27 cm)

CPPGM1 / CPPGM2 - Med Panini and CPSGM1 - Med Sandwich Dimensions:

Foot Print = 17.5" x 22.24"
(44.5cm x 56.5 cm)
Overall Length = 17.5" (44.5 cm)
Overall Width = 17.9" (45.5 cm)
Overall Height = 10.1" (25.7 cm)

SHIPPING

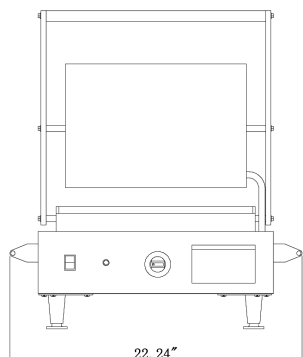
CPPGS1 - Small Panini and CPSGS1 - Small Sandwich Shipping Information:
Net Weight: 64 lbs (29 kg)
Shipping Weight: 70.6 lbs (32 kg)

CPPGS1 - Small Panini and CPSGS1 - Small Sandwich Shipping Dimensions:
21.1"W x 20.9"D x 12.5"H
(56 cm x 53 cm x 31.5 cm)

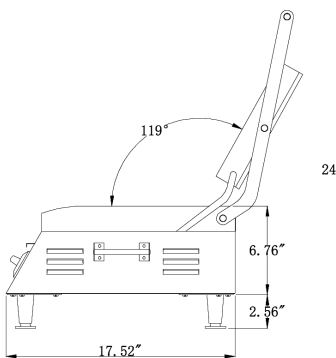
CPPGM1 / CPPGM2 Med Panini and CPSGM1 - Med Sandwich Shipping Information:
Net Weight: 79.9 lbs (36.2 kg)
Shipping Weight: 86.5 lbs (39.2 kg)

CPPGM1 / CPPGM2 Med Panini and CPSGM1 - Med Sandwich Shipping Dimensions:
24.9"W x 22.1"D x 12.5"H
(63 cm x 56 cm x 31.5 cm)

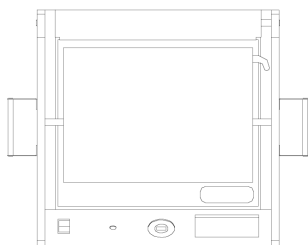
Cartons are reinforced for shipping. The weight and dimensions of this reinforced carton are included above and may vary from shipment to shipment.



CPPGM1 & CPSGM1



CPPGM1 & CPSGM1



CPPGM1 & CPSGM1



GLOBE FOOD EQUIPMENT COMPANY

www.globeslicers.com

2153 Dryden Rd.
Dayton, OH 45439
Phone: 937-299-5493
Phone: 800-347-5423
Fax: 937-299-4147