

Project: _____	AIA# _____
Item #: _____ Qty: _____	SIS# _____
Model #: _____	



MF36-B2



Intertek

Conforms to ANSI/UL STD 471
 Certified to CSA STD
 C22.2 No. 120



Mug Frosters

MF - - -

Size:
 24 = 24" One Door
 36 = 36" One Door
 48 = 48" Two Door

Shelving Options:
 (Bottom rack standard)
 1 = One layer
 2 = Two layers

Finish Options:
 B = Black vinyl-clad steel
 SF = Stainless steel front and sides
 S = All stainless steel

Standard Features

- Self-contained refrigeration
- All stainless steel interior construction with radius corners for easy cleaning
- Perfect exterior dimensions: 24" front to back and 24", 36", or 48" left to right
- CFC free foamed-in-place insulation
- Two Defrost Cycles:
 1. *Adaptive automatic* - occurs as necessary every four to ten hours without affecting normal operation
 2. *Manual* - user selected for complete six-hour defrost with automatic restart
- Optional 3-3/4" casters or 6" legs are available
- Three exterior options: black vinyl-clad steel, stainless steel front & sides, or all stainless steel
- Three shelving options: standard (bottom), one additional layer, or two additional layers
- Six-foot grounded cord & plug included (exits left rear)
- Automatic condensate evaporator - no drain connection required
- One-piece integral top and mullion design

Specifications

Electrical

- 120V, 1 phase, 60 Hz, 6.1 full load amps
- Dedicated 15 amp circuit is recommended
- Includes a 6-foot grounded cord and plug which exits the left rear of the refrigeration compartment

Refrigeration

- 1/3 HP, 404A refrigerant
- Operating range: 0°F (-18°C) to 35°F (2°C)
- Fin & tube evaporator with forced air circulation

Plumbing

- Interior floor drain and condensate drain to automatic evaporator. No drain connection required

Capacity

- 24" Model: 105 10-oz mug total capacity; 41 bottom shelf, 41 middle shelf, 23 top shelf
- 36" Model: 175 10-oz mug total capacity; 64 bottom shelf, 64 middle shelf, 47 top shelf
- 48" Model: 252 10-oz mug total capacity; 90 bottom shelf, 90 middle shelf, 72 top shelf

Legs

- Optional 6" legs, specify accessory #MFLS
- 1-5/8" diameter
- Stainless steel bullet feet

Materials

- 20 gauge stainless steel parts include: top, door, interior floor, front*, and sides* (*if all stainless finish is specified)
- 20 gauge black vinyl-clad steel parts include: sides and front (if black vinyl-clad steel exterior is specified)
- 22 gauge stainless steel parts include: interior walls
- 22 gauge galvanized steel parts include: back
- 16 gauge stainless steel parts include: legs* (* if specified)
- 16 gauge galvanized steel parts include: base

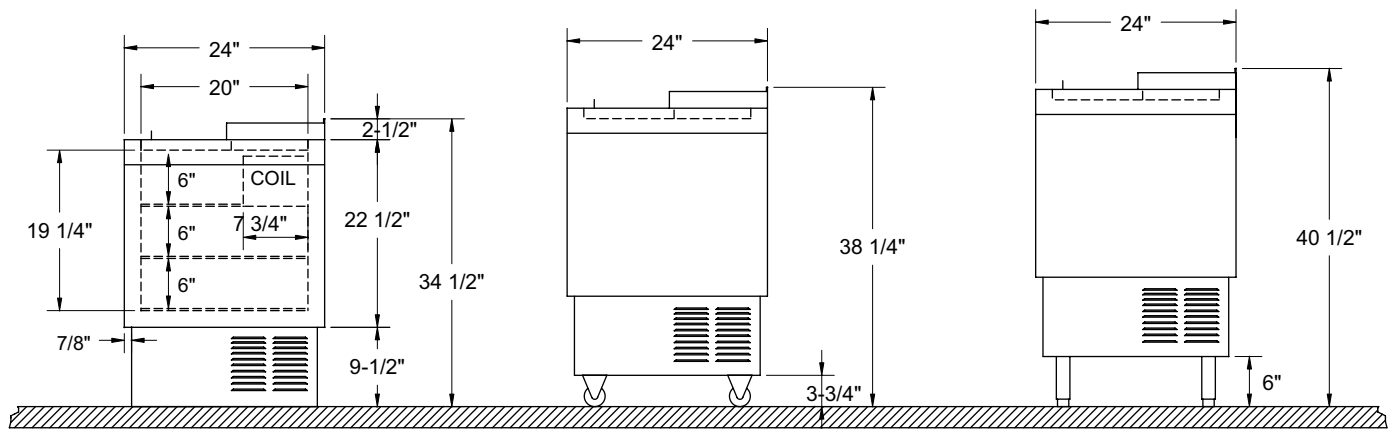
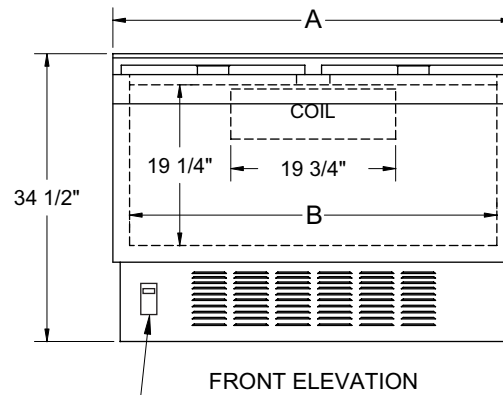
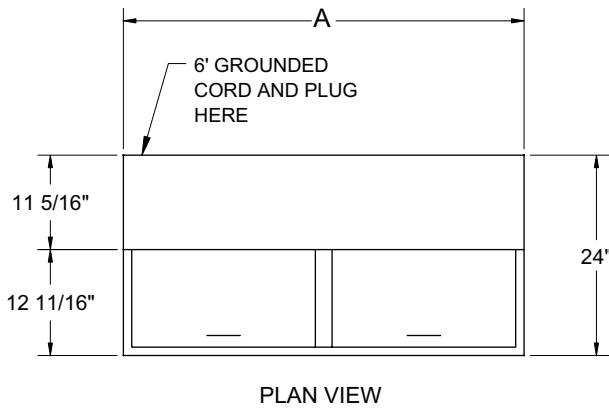
<p>Glastender, Inc. • 5400 N Michigan Rd • Saginaw, MI • 48604-9780 989.752.4275 • 800.748.0423 • Fax 989.752.4444 www.glastender.com</p>	<p>Approval/Notes:</p>
--------------------------------------------------------------------------------------------------------------------------------------------------------------------------------------------	------------------------

Specifications subject to change without notice. For current specifications please visit our website.

Mug Frosters

Dimensional Information

Model	A	B	No. of Doors
MF24	24"	20"	1
MF36	36"	32"	1
MF48	48"	44"	2



TYPICAL END VIEWS



5400 N Michigan Rd • Saginaw, MI • 48604-9780
 989.752.4275 • 800.748.0423 • Fax 989.752.4444
 www.glastender.com