

BLACK◆DIAMOND

Heavy Duty Gas Hotplates - BDCTH Series

Black Diamond's heavy duty gas countertop hotplates are designed for use with either natural or LP gas. Constructed of stainless steel front and sides that are fully welded, these units are able to stand the toughest of kitchen environments.



BDCTH-12
BDCTH-24
BDCTH-36

Available in
NG and LPG

Standard Features

- ◆ Stainless steel front bullnose design and side construction that's fully welded for extra durability
- ◆ 25,000 BTU per burner
- ◆ Two cast iron burners every 12" grate width
- ◆ 4"-5" adjustable legs
- ◆ Separate gas valves for each burner with one pilot light per burner
- ◆ Removable stainless steel drip tray for easy cleaning
- ◆ 3/4" rear NPT gas inlet
- ◆ ETL Listed and ETL Sanitation

Black Diamond warrants this product to be free of defects in materials and workmanship for period of 1 year from the date of original installation.

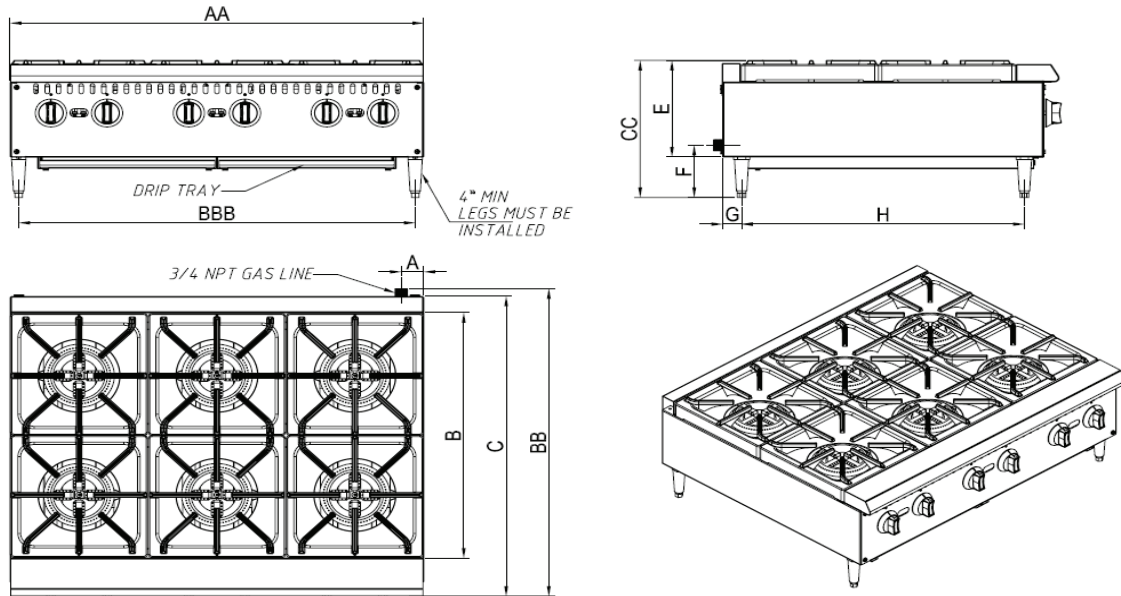


| Model | Overall Width | Burners | Total BTU | Net Weight (lb) | Gross Weight (lb) |
|----------|---------------|---------|-----------|-----------------|-------------------|
| BDCTH-12 | 12" | 2 | 50,000 | 62 | 95 |
| BDCTH-24 | 24" | 4 | 100,000 | 119 | 152 |
| BDCTH-36 | 36" | 6 | 150,000 | 187 | 222 |

BLACK◆DIAMOND

Heavy Duty Gas Hotplates - BDCTH Series

Plan View



Unit Dimensions (inches)

| Model | A | B | C | E | F | G | H | BBB | AA | BB | CC |
|----------|---|----|------|-----|-----|-----|------|------|----|----|------|
| BDCTH-12 | 2 | 24 | 29.3 | 9.5 | 9.5 | 1.5 | 24.5 | 10.5 | 12 | 30 | 13.5 |
| BDCTH-24 | 2 | 24 | 29.3 | 9.5 | 9.5 | 1.5 | 24.5 | 22.5 | 24 | 30 | 13.5 |
| BDCTH-36 | 2 | 24 | 29.3 | 9.5 | 9.5 | 1.5 | 24.5 | 34.5 | 36 | 30 | 13.5 |

Drip Tray (inches)

| Model | Width | Depth | Drip Tray Qty |
|----------|-------|-------|---------------|
| BDCTH-12 | 7 | 23 | 0.75 |
| BDCTH-24 | 19 | 23 | 0.75 |
| BDCTH-36 | 15.25 | 23 | .075 |