

Scientific Line

Self-Contained Sliding Door Reach-In Refrigerator

Project _____
 Item _____
 Quantity _____
 CSI Section 11400
 Approved _____
 Date _____

Scientific Line: Self-Contained Sliding Door Reach-In Refrigerator

Models

- LSR2-SLG 2 section stainless exterior and interior with full sliding door
- LAR2-SLG 2 section stainless exterior and aluminum interior with full sliding door
- LMR2-SLG 2 section stainless front, aluminum sides and interior with full sliding door



LSR2-SLG

Standard Features

- Ducted airflow left to right air movement
- Microprocessor control with RS485 port
- Glycol filled product simulator bottle
- Full length quick grip plastic door handle
- Pressure relief valve is standard to prevent door vapor lock
- Expansion valve refrigeration system provides quick recovery after door openings
- L.E.D. digital temperature readout on easy-view front panel
- Eight (8) epoxy-coated wire shelves
- Temperature range of 2°C to 4°C
- Illuminated interior for clear visibility
- Stainless steel breaker strips
- High density foamed in place environmentally friendly, Kyoto Protocol Compliant, Non ODP (Ozone Depletion Potential), Non GWP (Global Warming Potential) polyurethane keeps energy costs low
- Energy savings door heater switch
- Heavy-duty 3" (4" ride height) casters; front casters with brakes and swivel, shipped loose

- Made in the USA
- Adaptive defrost
- +/- 2°C tight tolerance
- 7/8" access port

Options & Accessories

- Additional epoxy-coated wire shelf
- Temperature recorder
- Alarm/monitor system
- Recorder charts and pens
- Chart # 1120-061 (-17°C to 38°C)
- Chart # 1120-062 (0°C to -60°C)
- Ink pen set # 1120-025

Specifications

Exterior: LS and LA models shall have corrosion resistant stainless steel exterior cabinet sides, front and shroud. LM models shall have corrosion resistant aluminum on exterior cabinet sides and will have stainless front and shroud.

Interior: Cabinet interior shall be corrosion resistant stainless steel (LS models) or heavy gauge aluminum (LA and LM models). Bottom and top surfaces shall be die stamped to provide radius corners and recessed floor. Four epoxy coated wire shelves are provided per section. Shelves rest on clips which are adjustable on 1" increments on stainless steel pilasters affixed to the cabinet interior. Pilasters are removable without tools for cleaning. A fluorescent light is mounted to the interior ceiling of each compartment, the switch is part of the light assembly. An air duct shall be mounted to the ceiling assuring low velocity, even air movement throughout the cabinet interior.

Glass Sliding Doors: Double thermopane glass set in high impact gray plastic frame. Doors are set in tracks for easy movement. Spring action assures self closing. Gasket seals both ends of doors. Doors are removable for cleaning.

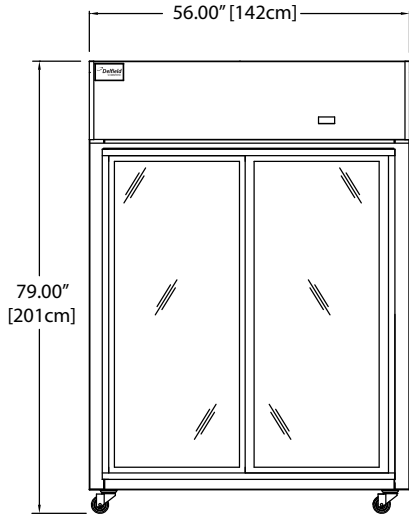
Refrigeration system: All components are mounted to the exterior cabinet ceiling. Environmentally friendly R404A refrigerant is used. System has the capability of maintaining between 2°C to 4°C. Refrigerant is metered using a highly responsive thermostatic expansion valve. System is controlled using Delfield's microprocessor electronic temperature control, which provides improved pull down times, reducing compressor cycling and longer compressor life with lower energy consumption. Control system uses **adaptive defrost** to assure evaporator coil is free of ice and operating at optimum efficiency. Evaporator condensate is eliminated using an energy efficient hot gas system.

Electrical: Standard electrical connections shall be 115V, 60Hz, single phase. A 10' cord and plug is supplied attached to a junction box mounted on the exterior top of the cabinet.

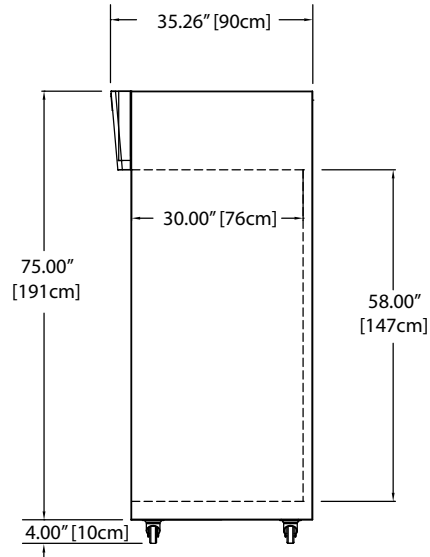
NOTE: This equipment is designed for use in locations with heat and air conditioning, where temperature and relative humidity at 21°C and 50% relative humidity.

Warranty included is a 2 year parts and labor warranty with an additional 3 years parts warranty on the compressor (5 total years parts on the compressor).





Elevation View
LSR2-SLG, LAR2-SLG, LMR2-SLG



End View
LSR2-SLG, LAR2-SLG, LMR2-SLG

Specifications

Models	# of Shelves	Shelf Ft ²	Interior Ft ³	H.P.	BTU/Hr	V/Hz/Ph	Amps	Min. Circuit Amp	NEMA Plug	Ship Weight
LSR2-SLG LAR2-SLG LMR2-SLG	8	34.16	51.92	1/3	3226	115/60/1	9.5	15	5-15P	670lbs 304kg

Delfield reserves the right to make changes to the design or specifications without prior notice.