

Scientific Line

Self-Contained Solid Door Pass-Thru Refrigerator

Project _____
 Item _____
 Quantity _____
 CSI Section 11400
 Approved _____
 Date _____

Scientific Line: Self-Contained Solid Door Pass-Thru Refrigerator

Models

<u>One Section</u>	<u>Two Section</u>	<u>Three Section</u>	
LSRPT1-S	LSRPT2-S	LSRPT3-S	Stainless exterior and interior with full door
LARPT1-S	LARPT2-S	LARPT3-S	Stainless exterior and aluminum interior with full door
LMRPT1-S	LMRPT2-S	LMRPT3-S	Stainless front, aluminum sides and interior with full door



LSRPT2-S

Standard Features

- Ducted airflow left to right air movement
- Microprocessor control with RS485 port
- Glycol filled product simulator bottle
- Built in door locks with heavy duty strikes
- Recessed door handle
- Pressure relief valve is standard to prevent door vapor lock
- Expansion valve refrigeration system provides quick recovery after door openings
- L.E.D. digital temperature readout on easy-view front panel
- Four (4) epoxy-coated wire shelves per section
- Temperature range of 2°C to 4°C
- Illuminated interior for clear visibility
- Stainless steel breaker strips
- High density foamed in place environmentally friendly, Kyoto Protocol Compliant, Non ODP (Ozone Depletion Potential), Non GWP (Global Warming Potential) polyurethane keeps energy costs low
- Energy savings door heater switch
- Heavy-duty 3" (4" ride height) casters; front casters with brakes and swivel, shipped loose
- Made in the USA

- Adaptive defrost
- +/- 2°C tight tolerance
- 7/8" access port

Options & Accessories

- Additional epoxy-coated wire shelf
- Temperature recorder
- Alarm/monitor system
- Recorder charts and pens
- Chart # 1120-061 (-17°C to 38°C)
- Chart # 1120-062 (0°C to -60°C)
- Ink pen set # 1120-025

Specifications

Exterior: LS and LA models shall have corrosion resistant stainless steel exterior cabinet sides, front and shroud. LM models shall have corrosion resistant aluminum on exterior cabinet sides and will have stainless front and shroud.

Interior: Cabinet interior shall be corrosion resistant stainless steel (LS models) or heavy gauge aluminum (LA and LM models). Bottom and top surfaces shall be die stamped to provide radius corners and recessed floor. Four epoxy coated wire shelves are provided per section. Shelves rest on clips which are adjustable on 1" increments on stainless steel pilasters affixed to the cabinet interior. Pilasters are removable without tools for cleaning. Mounted to the interior ceiling, the interior incandescent light is controlled automatically through a switch mounted in the hinge assembly to protect against breakage. Door openings are protected with heavy gauge stainless steel breaker strips. An air duct shall be mounted to the ceiling assuring low velocity, even air movement throughout the cabinet interior.

Doors: Exterior shall be corrosion resistant stainless steel. Interior liner shall be resilient high impact ABS material formed to protrude beyond the door gasket to protect the gasket from tearing. Each door has two edge mount, self closing, cam lift style hinges. Metal door handle shall be recessed into the door for easy grip without impacting aisle space. Keyed door lock is mounted in the door next to the handle. Lock engages into a heavy duty strike mounted to the cabinet face. Door gaskets

are magnetic and mount to the door snapping in place and are removable without tools.

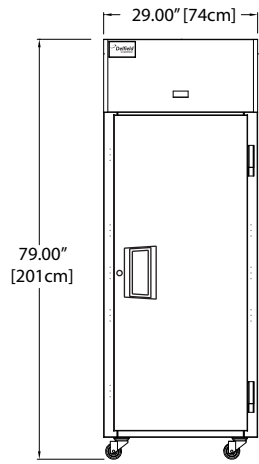
Refrigeration system: All components are mounted to the exterior of the cabinet ceiling. Environmentally friendly R404A refrigerant is used. The system has the capability of maintaining between 2° and 4°C. Refrigerant is metered using a highly responsive thermostatic expansion valve. System is controlled using Delfield's microprocessor electronic temperature control, which provides improved pull down times, reduces compressor cycling and longer compressor life with lower energy consumption. Control system uses **adaptive defrost** to assure evaporator coil is free of ice and is operating at optimum efficiency. Evaporator condensate is eliminated using an energy efficient hot gas system.

Electrical: Standard electrical connections on one and two section units shall be 115V, 60 Hz single phase. A 10' cord and plug is supplied attached to a junction box mounted on the exterior top of the cabinet. Three section units shall be 115/208-230V and will require hardwire connections.

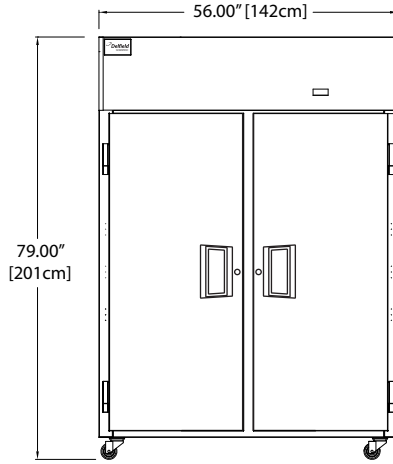
NOTE: This equipment is designed for use in locations with heat and air conditioning, where temperature and relative humidity at 21°C and 50% relative humidity.

Warranty included is a 2 year parts and labor warranty with an additional 3 years parts warranty on the compressor (5 total years parts on the compressor).

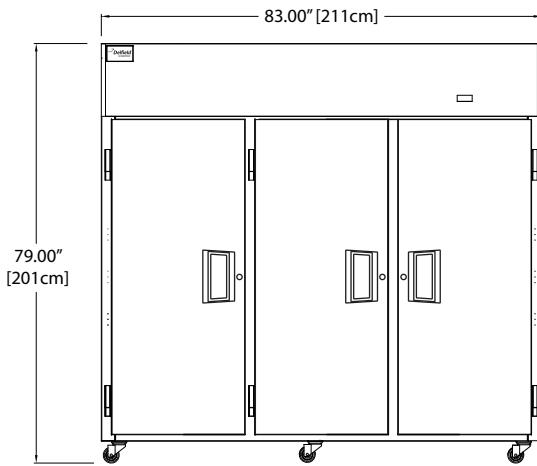




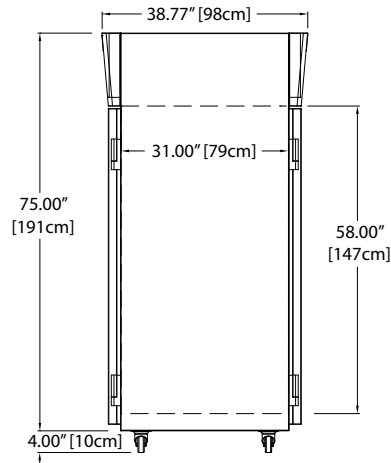
Elevation View
LSRPT1-S, LARPT1-S, LMRPT1-S



Elevation View
LSRPT2-S, LARPT2-S, LMRPT2-S



Elevation View
LSRPT3-S, LARPT3-S, LMRPT3-S



End View
All Models

Specifications

Models	# of Shelves	Shelf Ft ²	Interior Ft ³	H.P.	BTU/Hr	V-Hz-Ph	Amps	Min. Circuit Amp	NEMA Plug	Ship Weight
LSRPT1-S LARPT1-S LMRPT1-S	4	17.08	26.64	1/4	2092	115-60-1	6.0	15	5-15P	455lbs 206kg
LSRPT2-S LARPT2-S LMRPT2-S	8	34.16	55.42	1/2	5465	115-60-1	14.5	20	5-20P	700lbs 318kg
LSRPT3-S LARPT3-S LMRPT3-S	12	51.24	84.19	3/4	7569	115/208-230 -60-1	12.4	20	NA	972lbs 441kg

Delfield reserves the right to make changes to the design or specifications without prior notice.