

- KD-0170A
- KY-0170A

K-0170 Undercounter Ice Kube Machine



- Simple controls, convenient, reliable and long lasting.
- Simple 3-way switch for on/off/clean. No need to remove the front panel.
- Front air intake and discharge.
- Easy to remove, re-usable air filter to keep the condenser cleaner.
- Two ice sizes to choose from: Kube and Half Kube.
- Hideaway bin door slides under the ice machine top.



K-0170
UNDERCOUNTER ICE KUBE MACHINE



HALF KUBE

$\frac{3}{8}'' \times 1\frac{1}{8}'' \times \frac{7}{8}''$
(.95 x 2.86 x 2.22 cm)

❄️ = 100%
💧



KUBE

$\frac{7}{8}'' \times \frac{7}{8}'' \times \frac{7}{8}''$
(2.22 x 2.22 x 2.22 cm)

❄️ = 100%
💧

Refrigerant R404A

KOOLAIRE[®]

by **Manitowoc**

2110 SOUTH 26TH ST | MANITOWOC, WI 54220 USA | 1-920-682-0161 [www.kool-aire.com]



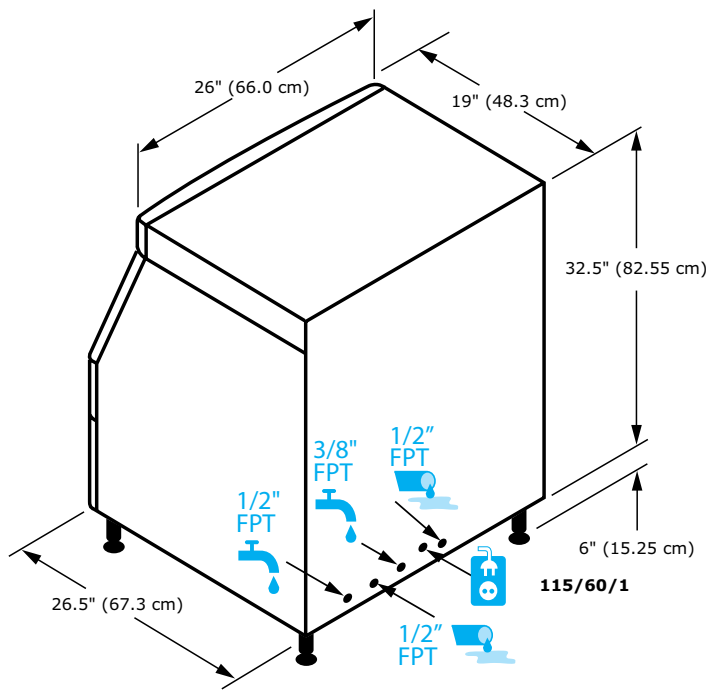
Manitowoc

K-0170

UNDERCOUNTER ICE KUBE MACHINE

			24h			
			21°/10°C 70°/50°F	32°/21°C 90°/70°F	[kWh/ 100 lbs ice]	[gal/ 100 lbs ice]
KD-0170			148 lbs	123 lbs	9.7	34.6
			67 kg	56 kg		
KY-0170			148 lbs	123 lbs	9.7	34.6
			67 kg	56 kg		

Ice Bin storage capacity 80 lbs. (36.6 kg)



Minimum		Maximum
39.2°F 4°C		110°F 43.3°C
39.2°F 4°C		90°F 32.2°C
20psi 138 kPA		80psi 551 kPA
7.2		A
		15 Amps
70 kg		154.3 lbs

KOOLAIRE®

by **Manitowoc**

2110 SOUTH 26TH ST | MANITOWOC, WI 54220 USA | 1-920-682-0161 [www.kool-aire.com]