

- KDF-0150A
- KYF-0150A

# KF-0150 Undercounter Ice Kube Machine



- Simple controls, convenient, reliable and long lasting.
- Simple 3-way switch for on/off/clean. No need to remove the front panel.
- Front air intake and discharge.
- Easy to remove, re-usable air filter to keep the condenser cleaner.
- Two ice sizes to choose from: Kube and Half Kube.
- Hideaway bin door slides under the ice machine top.



**KF-0150**  
 UNDERCOUNTER ICE KUBE MACHINE



**HALF KUBE**

$\frac{3}{8}'' \times 1\frac{1}{8}'' \times \frac{7}{8}''$   
(.95 x 2.86 x 2.22 cm)

= 100%



**KUBE**

$\frac{7}{8}'' \times \frac{7}{8}'' \times \frac{7}{8}''$   
(2.22 x 2.22 x 2.22 cm)

= 100%

Refrigerant R404A

**KOOLAIRE**<sup>®</sup>

By **MANITOWOC**



2110 SOUTH 26TH ST | MANITOWOC, WI 54220 USA | 1-920-682-0161 [ [www.kool-aire.com](http://www.kool-aire.com) ]



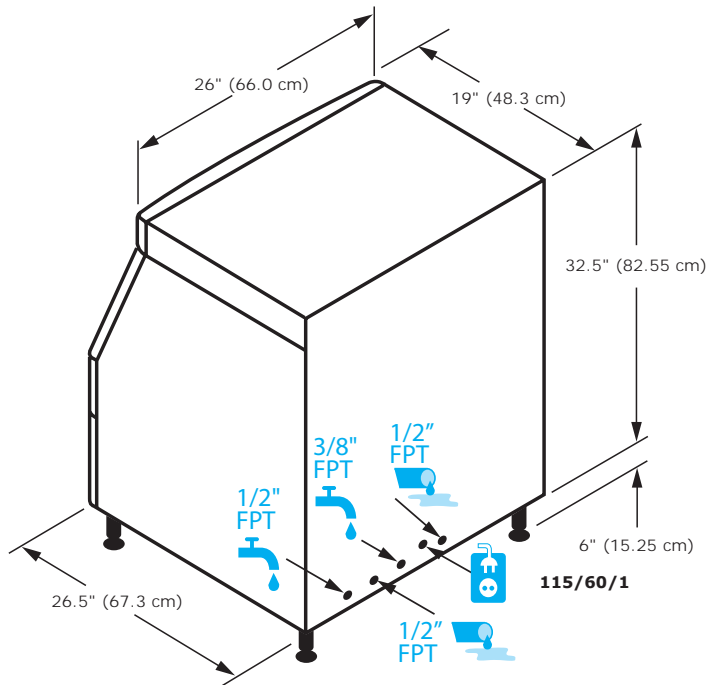
# KF-0150 UNDERCOUNTER ICE KUBE MACHINE

			24h			
			<b>21°/10°C</b> 70°/50°F	<b>32°/21°C</b> 90°/70°F	[kWh/ 100 lbs ice]	[gal/ 100 lbs ice]
KDF-0150A			168 lbs 76 kg	110 lbs 50 kg	9.35	32
KYF-0150A			169 lbs 77 kg	114 lbs 52 kg		

Cabinet volume 3.107 ft<sup>3</sup> (0.088 m<sup>3</sup>)

92 lb. (42 Kg) ice storage capacity\*

\* Application capacity based on: 90% volume x 33lbs/ft<sup>3</sup> average density of ice.



Minimum		Maximum
39.2°F 4°C		110°F 43.3°C
39.2°F 4°C		90°F 32.2°C
20psi 138 kPA		80psi 551 kPA
7.2		A
		15 Amps
70 kg		154.3 lbs

## KOOLAIRE®

By MANITOWOC

2110 SOUTH 26TH ST | MANITOWOC, WI 54220 USA | 1-920-682-0161 | [www.kool-aire.com](http://www.kool-aire.com)