

- KDF-0250A
- KYF-0250A

KF-0250 Undercounter Ice Kube Machine



- Simple controls, convenient, reliable and long lasting.
- Simple 3-way switch for on/off/clean. No need to remove the front panel.
- Front air intake and discharge.
- Easy to remove, re-usable air filter to keep the condenser cleaner.
- Two ice sizes to choose from: Kube and Half Kube.
- Hideaway bin door slides under the ice machine top.



HALF KUBE

$\frac{3}{8}'' \times 1\frac{1}{8}'' \times \frac{7}{8}''$
(.95 x 2.86 x 2.22 cm)

= 100%



KUBE

$\frac{7}{8}'' \times \frac{7}{8}'' \times \frac{7}{8}''$
(2.22 x 2.22 x 2.22 cm)

= 100%

Refrigerant R404A



KF-0250
 UNDERCOUNTER ICE KUBE MACHINE

KOOLAIRE[®]

By **MANITOWOC**



2110 SOUTH 26TH ST | MANITOWOC, WI 54220 USA | 1-920-682-0161 [www.kool-aire.com]



KF-0250

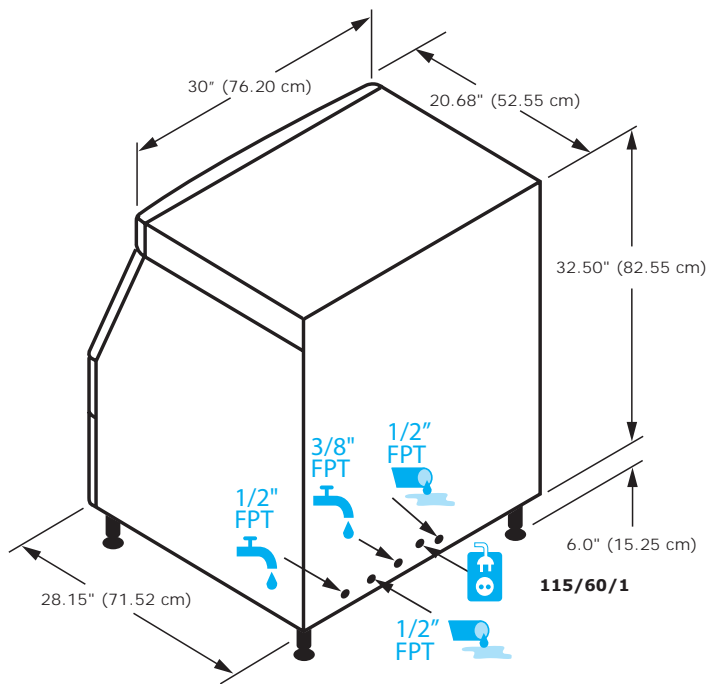
UNDERCOUNTER ICE KUBE MACHINE

			24h			
			21°/10°C 70°/50°F	32°/21°C 90°/70°F	[kWh/ 100 lbs ice]	[gal/ 100 lbs ice]
KDF-0250A			256 lbs	180 lbs	7.5	32
			116 kg	82 kg		
KYF-0250A			258 lbs	190 lbs	7.3	32
			117 kg	86 kg		

Cabinet volume 4.52 ft³ (0.128 m³)

134 lb. (61 Kg) ice storage capacity*

* Application capacity based on: 90% volume x 33lbs/ft³ average density of ice.



Minimum	Maximum
35°F 1.7°C	110°F 43.3°C
35°F 1.7°C	90°F 32.2°C
20psi 138 kPA	80psi 551 kPA
10.7	15 Amps
92 kg 203 lbs	

KOOLAIRE®

By MANITOWOC

2110 SOUTH 26TH ST | MANITOWOC, WI 54220 USA | 1-920-682-0161 [www.kool-aire.com]