

MODEL: IMD-ERV36IISD
Back bar coolers – Stainless Steel – Solid Door

General Strengths

- ✓ **Energy efficiency higher.** R290 refrigerant with electric fans, LED lighting and evaporative tray without electric resistances
- ✓ **Doors.** Self-closing door system with permanent pressure. Stay open feature included when door remains open after 95 degrees. All doors include triple chamber door gaskets, easy to remove and snap in.
- ✓ **Control systems.** Greater ability for the adjustment of temperature range as per the end user's requirements.
- ✓ **100% Tested.** All condenser units are 100% tested, in helium chambers for refrigerant leak detections.
- ✓ **Certified.** Audited and Certified by INTERTEK for compliance with UL 471 and NSF 7. AENOR audited and certified by internationally recognized firm. ISO 9001:2015 (Quality); ISO 14001:2015 (Environmental); OSHAS 18001:2007 (Prevention and Worker Safety)


DOE COMPLIANT

Revision: 01 Date: 06/30/2018 IMD-ERV36IISD_FT_69_1

MODEL	Dimensions (inches) (mm)			Nº Doors	Nº Shelves	Capacity 12 oz Cans	Ref.	Ref. Weight (Lbs.) (gr.)	Temp. Range (°F) (°C)	Capacity (Cu. Ft.) (L)	Cond.U nit. H.P.	Case Amps 115 V.	Crated Weight (Lbs.) (Kg.)
	W	D	H										
IMD-ERV36IISD	36-1/4	23-3/4	34-1/2	1	2	39 6-pks	R290	0.24	33°F/38°F	5.72	1/5	3.8	280
	922	604	877					110	0°C/+4°C	162			127

FTL LISTED TO UL471 STANDARD AND SANITATION CLASSIFIED TO NSF7 – WE RESERVE THE RIGHT TO CHANGE SPECIFICATIONS WITHOUT PRIOR NOTICE

MODEL: IMD-ERV36IISD
Back bar coolers – Stainless Steel – Solid Door
STANDARD FEATURES
➤ Exterior

- AISI 430 Stainless Steel,
- Levelling feet.

➤ Interior

- AISI 430 Stainless Steel,
- Sealed interior floors.

➤ Doors

- Self closing doors with stay open feature,
- Stainless Steel heavy-duty hinges,
- Triple chamber snap in door gaskets for easy removal and cleaning,
- Doors locks,
- Door opening: 19-5/8" x 26-7/8" (500x682 mm).

➤ Insulation

- CFC-Free polyurethane insulation, entire cabinet structure is foamed-in place using a high-density polyurethane insulation,
- Low GWP & Zero ODP Effect.

OPTIONAL FEATURES

- ✓ Electrical connection is 230 V / 1ph / 50 Hz (plug type varies).

➤ Shelving

- (2) Plastic coated wire shelves per section,
- Set of Stainless Steel shelf brackets,
- Easy remove for cleaning.

➤ Refrigeration

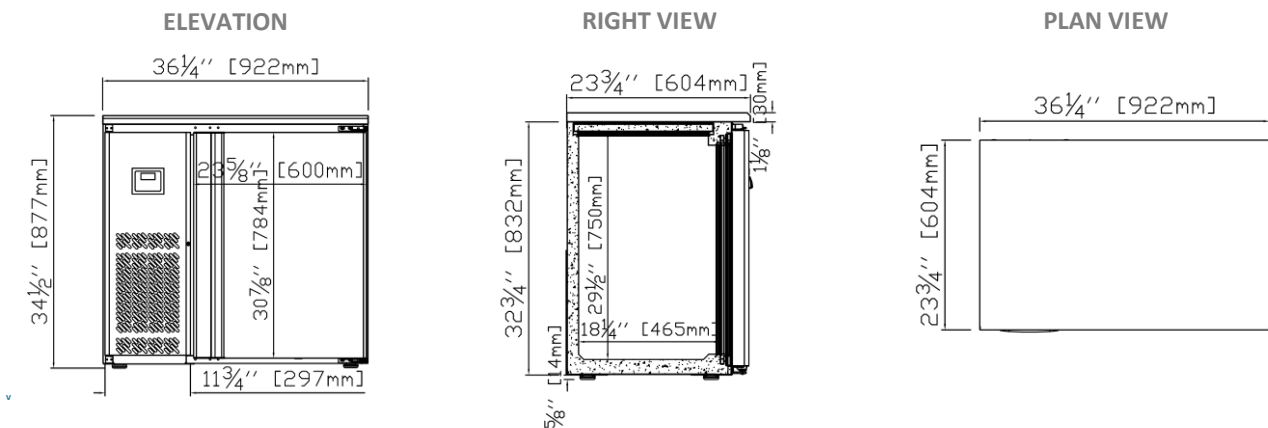
- Digital temperature controller with automatic defrost system,
- Energy-saving non-electric condensate pan,
- **Cartridge-style refrigeration system is easily removed from the main unit,**
- Evaporator coil coated with anti-corrosion material 100% Polyester,
- Forced air refrigeration system,
- Electric fans,
- Compact refrigeration system monoblock,
- Refrigeration capacity: 867 Btu/h (14°F) / 254 W (-10°C).

➤ Electrical

- Cord and NEMA 5-15P plug.
- Electrical connection is 115V / 1ph / 60 Hz.
- 15 AMP breakers required,



- **ETL Listed to UL471 Standard and Sanitation classified to NSF7.**

PLAN VIEW


NOT CLASSIFIED TO NSF7 – WE RESERVE THE RIGHT TO CHANGE SPECIFICATIONS WITHOUT PRIOR NOTICE