

MODEL: IUC-MSG36
**CHEF BASES:
Drawered Refrigerator**


AISI 304 Stainless Steel worktop with drip guard marine edge, standard.



Heavy-duty stainless steel drawer slides designed to hold up to 440 Lbs. (Pans not Included)

General Strengths

- ✓ **Worktop.** Cabinet top is one piece, heavy duty reinforced stainless steel. Drip resistant "V" edge protect against spills.
- ✓ **Drawers.** All drawers include triple chamber door gaskets, easy to remove and snap in. Heavy-duty stainless steel slides hold up to **440 lbs.** Integrated handle and self-closing device.
- ✓ **Control systems.** Higher precision in managing temperature settings. The ability to adjust temperature ranges to meet end user's requirements.
- ✓ **100% Tested.** All condensing units are 100% tested in helium chambers in order to detect refrigeration leaks.
- ✓ **Certified.** Audited and Certified by **INTERTEK** for compliance with UL 471 and NSF 7. AENOR audited and certified by internationally recognized firm. ISO 9001:2008 (Quality); ISO 14001:2004 (Environmental); OSHAS 18001:2007 (Prevention and Worker Safety)

MODEL	Dimensions (inches) (mm)			Nº Drawers	Nº Pans	Ref.	Ref. Weight (Lbs.) (gr.)	Temp. Range (°F) (°C)	Capacity (Cu. Ft.) (L)	Cond. Unit. H.P.	Case Amps 115 V.	Crated Weight (Lbs.) (Kg.)
	W	D	H									
IUC-MSG36	36-5/8	32-1/2	26-1/4	2	2 – 12x20 6 – 1/6	R134a	0.42	33°F/38°F 0°C/4°C	5,2	1/5	4,8	230
	930	825	666									

ETL LISTED TO UL471 STANDARD AND SANITATION CLASSIFIED TO NSF7 – WE RESERVE THE RIGHT TO CHANGE SPECIFICATIONS WITHOUT PRIOR NOTICE

MODEL: IUC-MSG36

**CHEF BASES:
Drawered Refrigerator**

STANDARD FEATURES

➤ **Exterior**

- AISI 304 Stainless Steel Top. Drip resistant "V" edge protects against spills,
- Front and sides in AISI 430 Stainless Steel.

➤ **Interior**

- AISI 430 Stainless Steel,
- Sealed interior floors.

➤ **Casters**

- 4" diameter casters,
- Locks provided on front set.

➤ **Drawers**

- Each drawer accommodates one full 12"x20" pans and three of 1/6 pans (pans not included)
- Drawers with full-extension sliding rails for complete opening,
- Drawers with integrated handle,
- **Heavy-duty stainless steel drawer slides designed to hold up to 440 Lbs (200 Kg).**

➤ **Insulation**

- CFC-Free polyurethane insulation, entire cabinet structure is foamed-in place using a high density polyurethane insulation,
- Low GWP & Zero ODP Effect.

➤ **Refrigeration**

- Digital temperature controller with automatic defrost system,
- Stainless steel evaporative pan,
- **Compact refrigeration system monoblock, INFRIBLOCK®,**
- **Extractable condensing unit for easy service,**
- Evaporator coil coated with anti-corrosion material 100% Polyester,
- Front-breathing refrigeration system,
- Forced air refrigeration system,
- Refrigeration capacity: 1314 Btu/h (14°F) / **385 W (-10°C).**

➤ **Electrical**

- Cord and NEMA 5-15P plug,
- Electrical connection is 115V / 1ph / 60 Hz.

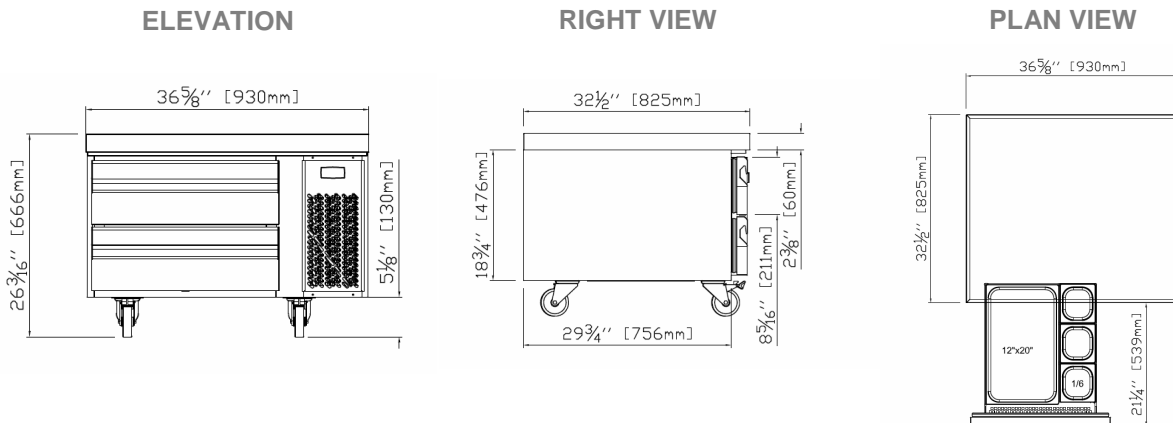


OPTIONAL FEATURES

- ✓ Set of 6" legs, height adjustable from 5" to 8",
- ✓ Electrical connection is 220-230 V / 1ph / 50 Hz (plug type varies).

- **ETL Listed to UL471 Standard and Sanitation classified to NSF7.**

PLAN VIEW



ETL LISTED TO UL471 STANDARD AND SANITATION CLASSIFIED TO NSF7 – WE RESERVE THE RIGHT TO CHANGE SPECIFICATIONS WITHOUT PRIOR NOTICE



Infrico USA Corp.
 7042 N.W. 46th Street
 Miami, FL 33166
 1.305.777.9599 Office
 1.305.777.9598 Fax

www.infrico.us
service@infrico.com
sales@infrico.com

APPROVALS: AVAILABLE AT: