

MODEL: IUC-MSG52
**CHEF BASES:
Drawered Refrigerator**


AISI 304 Stainless Steel worktop with drip guard marine edge, standard.



Heavy-duty stainless steel drawer slides designed to hold up to 440 Lbs. (Pans Not Included)

General Strengths

- ✓ **Worktop.** Cabinet top is one piece, heavy duty reinforced stainless steel. Drip resistant "V" edge protect against spills.
- ✓ **Drawers.** All drawers include triple chamber door gaskets, easy to remove and snap in. Heavy-duty stainless steel slides hold up to **440 lbs.** Integrated handle and self-closing device.
- ✓ **Control systems.** Higher precision in managing temperature settings. The ability to adjust temperature ranges to meet end user's requirements.
- ✓ **100% Tested.** All condensing units are 100% tested in helium chambers in order to detect refrigeration leaks.
- ✓ **Certified.** Audited and Certified by **INTERTEK** for compliance with UL 471 and NSF 7. AENOR audited and certified by internationally recognized firm. ISO 9001:2008 (Quality); ISO 14001:2004 (Environmental); OSHAS 18001:2007 (Prevention and Worker Safety)

MODEL	Dimensions (inches) (mm)			Nº Drawers	Nº Pans	Ref.	Ref. Weight (Lbs.) (gr.)	Temp. Range (°F) (°C)	Capacity (Cu. Ft.) (L)	Cond. Unit. H.P.	Case Amps 115 V.	Crated Weight (Lbs.) (Kg.)
	W	D	H									
IUC-MSG52	53-1/4	32-1/2	26-1/4	2	6	R134a	0.55	33°F/38°F	9.9	1/3	6.5	330
	1352	825	666									

ETL LISTED TO UL471 STANDARD AND SANITATION CLASSIFIED TO NSF7 - WE RESERVE THE RIGHT TO CHANGE SPECIFICATIONS WITHOUT PRIOR NOTICE

MODEL: IUC-MSG52
**CHEF BASES:
Drawered Refrigerator**
STANDARD FEATURES
➤ Exterior

- AISI 304 Stainless Steel Top. Drip resistant "V" edge protects against spills,
- Front and sides in AISI 430 Stainless Steel.

➤ Interior

- AISI 430 Stainless Steel,
- Sealed interior floors.

➤ Casters

- 4" diameter casters,
- Locks provided on front set.

➤ Drawers

- Each drawer accommodates three full 12"x20" pans (pans not included),
- Drawers with full-extension sliding rails for complete opening,
- Drawers with integrated handle,
- **Heavy-duty stainless steel drawer slides designed to hold up to 440 Lbs (200 Kg).**

➤ Insulation

- CFC-Free polyurethane insulation, entire cabinet structure is foamed-in place using a high density polyurethane insulation,
- Low GWP & Zero ODP Effect.

➤ Refrigeration

- Digital temperature controller with automatic defrost system,
- Stainless steel evaporative pan,
- **Compact refrigeration system monoblock, INFRIBLOCK®,**
- **Extractable condensing unit for easy service,**
- Evaporator coil coated with anti-corrosion material 100% Polyester,
- Front-breathing refrigeration system,
- Forced air refrigeration system,
- Refrigeration capacity: 1550 Btu/h (14°F) / 454 W (-10°C).

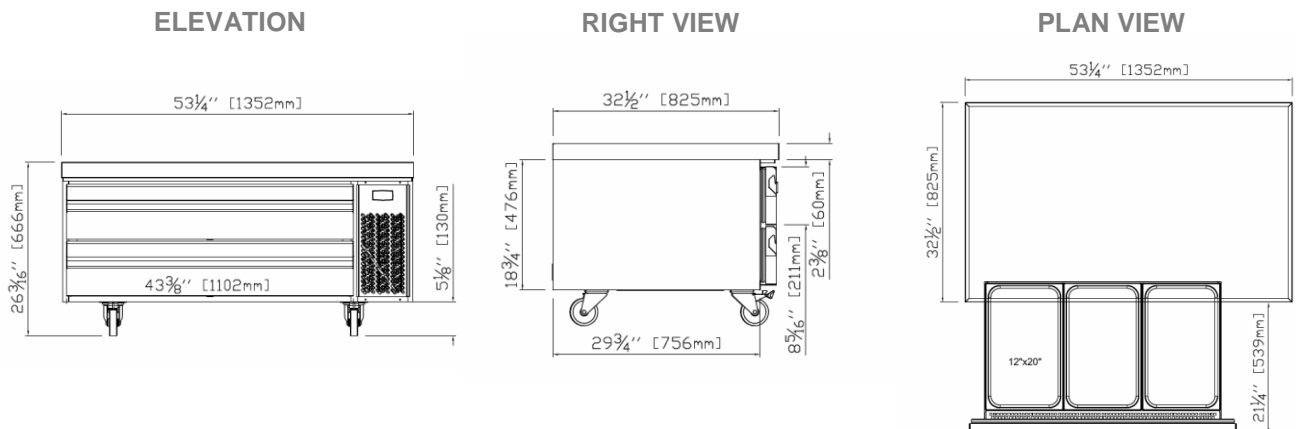
➤ Electrical

- Cord and NEMA 5-15P plug,
- Electrical connection is 115V / 1ph / 60 Hz.


OPTIONAL FEATURES

- ✓ Set of 6" legs, height adjustable from 5" to 8",
- ✓ Electrical connection is 220-230 V / 1ph / 50 Hz (plug type varies).

- **ETL Listed to UL471 Standard and Sanitation classified to NSF7.**

PLAN VIEW


ETL LISTED TO UL471 STANDARD AND SANITATION CLASSIFIED TO NSF7 - WE RESERVE THE RIGHT TO CHANGE SPECIFICATIONS WITHOUT PRIOR NOTICE