

MODEL: IUC-UC27R

UNDERCOUNTER:
Undercounter Refrigerators

General Strengths

- ✓ **Energy efficiency higher.** R290 refrigerant with electric fans and evaporative tray without electric resistances
- ✓ **Sanitation.** The interior cabinet is built with rounded corners (extensive radius for easy cleaning). Quick ability to take off shelves and slides for interior cleaning. Each cabinet has a drain at the bottom of the unit. When cleaning the unit make sure the drain hose is routed to a floor drain.
- ✓ **Doors & Drawers.** Self-closing door system with permanent pressure. Stay open feature included when door remains open after 95 degrees. All doors include triple chamber door gaskets, easy to remove and snap in. Doors are field reversible, parts not included.
- ✓ **Control systems.** Greater ability for the adjustment of temperature range as per the end user's requirements.
- ✓ **100% Tested.** All condenser units are 100% tested, in helium chambers for refrigerant leak detections.
- ✓ **Certified.** Audited and Certified by INTERTEK for compliance with UL 471 and NSF 7. AENOR audited and certified by internationally recognized firm. ISO 9001:2015 (Quality); ISO 14001:2015 (Environmental); OSHAS 18001:2007 (Prevention and Worker Safety)



Optional drawer kit

MODEL	Dimensions (inches) (mm)			Nº Doors	Nº Shelves	Ref.	Ref. Weight (Lbs.) (gr.)	Temp. Range (°F) (°C)	Capacity (Cu. Ft.) (L)	Cond. Unit. H.P.	Case Amps 115 V.	Crated Weight (Lbs.) (Kg.)
	W	D	H									
IUC-UC27R	27-5/8 700	30-1/8 765	35-3/4 910	1	2	R290	0.24 110	33°F/38°F 0°C/4°C	8 226	1/4	3.9	270 122

FTL LISTED TO UL471 STANDARD AND SANITATION CLASSIFIED TO NSF7 – WE RESERVE THE RIGHT TO CHANGE SPECIFICATIONS WITHOUT PRIOR NOTICE



Infrico USA Corp.
1409 N.W. 84th Avenue
Doral, FL 33126
1.305.777.9599 Office
1.305.777.9598 Fax

www.infrico.us
sales@infrico.com

APPROVALS: _____ AVAILABLE AT: _____

MODEL: IUC-UC27R
UNDERCOUNTER:
Undercounter Refrigerators
STANDARD FEATURES
Exterior

- AISI 430 Stainless Steel,
- AISI 304 Stainless Steel Top,

Interior

- AISI 430 Stainless Steel.

Doors

- Polyurethane insulated door,
- Self closing door with stay open feature,
- Stainless Steel heavy-duty hinges,
- Triple chamber snap in door gaskets for easy removal and cleaning,
- Field reversible door (parts not included),
- Full-height door opening: 23-1/4"x21-7/8" (590x555 mm).

Casters

- 4" diameter casters,
- Locks provided on front set.

Insulation

- CFC-Free polyurethane insulation, entire cabinet structure is foamed-in using a high-density polyurethane insulation,
- Low GWP & Zero ODP effect.

Shelving

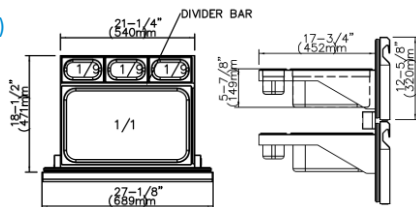
- (2) Two plastic coated wire shelves,
- Set of Stainless-Steel shelf brackets,
- Easy remove for cleaning,
- Dimensions WxD: 22-1/4"x17" (565x432 mm).

Refrigeration

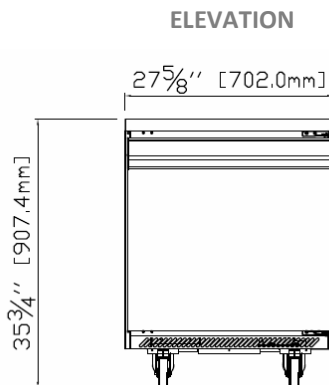
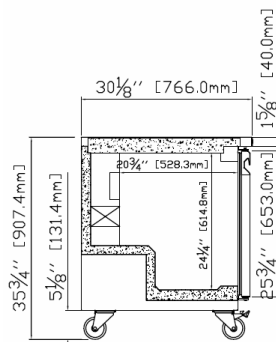
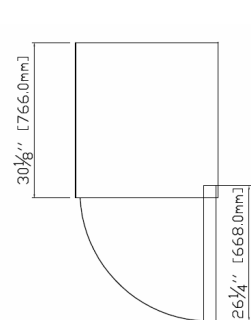
- Temperature regulated by thermostatic control,
- Temperature display,
- Energy-saving non-electric condensate pan,
- Evaporator coil coated with anti-corrosion material 100% Polyester,
- Forced air refrigeration system,
- Electric fans,
- Refrigeration capacity: 1542 Btu/h (14°F) / 452 W (-10°C).

OPTIONAL FEATURES

- ✓ Drawer kit, compatible with:
12"x20" pans (GN 1/1)
(pans not included),
- ✓ Single Overshelf kit.
- ✓ Double Overshelf kit,
- ✓ 4" Backsplash,
- ✓ Set of 2" diameter casters, with lock provided on front set,
- ✓ Electrical connection is 230 V / 1ph / 50 Hz (plug type varies).


Electrical

- Cord and NEMA 5-15P plug.
- Electrical connection is 115V / 1ph / 60 Hz.
- 15 AMP breakers required,


ETL Listed to UL471 Standard and Sanitation classified to NSF7.
PLAN VIEW

RIGHT VIEW

PLAN VIEW


ETL LISTED TO UL471 STANDARD AND SANITATION CLASSIFIED TO NSF7 - WE RESERVE THE RIGHT TO CHANGE SPECIFICATIONS WITHOUT PRIOR NOTICE