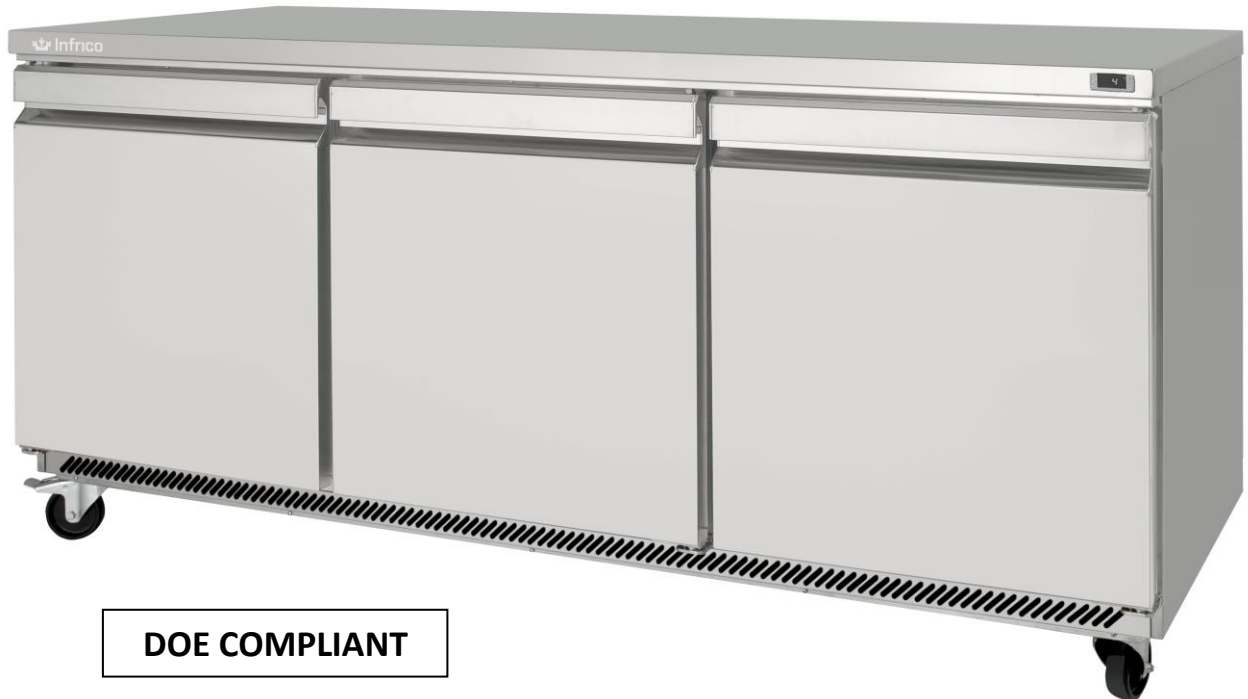


MODEL: IUC-UC72R
UNDERCOUNTER:
Undercounter Refrigerators

General Strengths

- ✓ **Energy efficiency higher.** R290 refrigerant with electric fans and evaporative tray without electric resistances.
- ✓ **Sanitation.** The interior cabinet is built with rounded corners (extensive radius for easy cleaning). Quick ability to take off shelves and slides for interior cleaning. Each cabinet has a drain at the bottom of the unit. When cleaning the unit make sure the drain hose is routed to a floor drain.
- ✓ **Doors & Drawers.** Self-closing door system with permanent pressure. Stay open feature included when door remains open after 95 degrees. All doors include triple chamber door gaskets, easy to remove and snap in.
- ✓ **Control systems.** Greater ability for the adjustment of temperature range as per the end user's requirements.
- ✓ **100% Tested.** All condenser units are 100% tested, in helium chambers for refrigerant leak detections.
- ✓ **Certified.** Audited and Certified by INTERTEK for compliance with UL 471 and NSF 7. AENOR audited and certified by internationally recognized firm. ISO 9001:2015 (Quality); ISO 14001:2015 (Environmental); OSHAS 18001:2007 (Prevention and Worker Safety)



DOE COMPLIANT

MODEL	Dimensions (inches) (mm)			Nº Doors	Nº Shelves	Ref.	Ref. Weight (Lbs.) (gr.)	Temp. Range (°F) (°C)	Capacity (Cu. Ft.) (L)	Cond. Unit. H.P.	Case Amps 115 V.	Crated Weight (Lbs.) (Kg.)
	W	D	H									
IUC-UC72R	72-5/8 1844	30-1/8 765	35-3/4 910	3	6	R290	0.25 115	33°F/38°F 0°C/4°C	21 594	1/3	3.8	506 230

ETL LISTED TO UL471 STANDARD AND SANITATION CLASSIFIED TO NSF7 - WE RESERVE THE RIGHT TO CHANGE SPECIFICATIONS WITHOUT PRIOR NOTICE

MODEL: IUC-UC72R

UNDERCOUNTER:
Undercounter Refrigerators

STANDARD FEATURES

➤ **Exterior**

- AISI 430 Stainless Steel,
- AISI 304 Stainless Steel Top.

➤ **Interior**

- AISI 430 Stainless Steel.

➤ **Doors**

- Polyurethane insulated doors,
- Self closing doors with stay open feature,
- Stainless Steel heavy-duty hinges,
- Triple chamber snap in door gaskets for easy removal and cleaning,
- Full-height door opening: 19-5/8"x21-7/8" (500x555 mm).

➤ **Insulation**

- CFC-Free polyurethane insulation, entire cabinet structure is foamed-in using a high-density polyurethane insulation,
- Low GWP & Zero ODP effect

➤ **Shelving**

- (2) Plastic coated wire shelves per section,
- Set of Stainless Steel shelf brackets,
- Easy remove for cleaning,
- Dimensions WxD: 21"x17" (533x432) (mm),
22-1/4"x17" (565x432) (mm).

➤ **Casters**

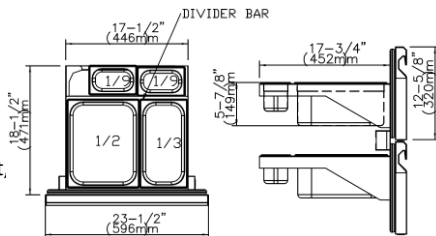
- 4" diameter casters,
- Locks provided on front set.

➤ **Refrigeration**

- Temperature regulated by thermostatic control,
- Temperature display,
- Energy-saving non-electric condensate pan,
- Evaporator coil coated with anti-corrosion material 100% Polyester,
- Forced air refrigeration system,
- Electric fans,
- Refrigeration capacity: 2245 Btu/h (149F) / 658 W (-10°C).

OPTIONAL FEATURES

- ✓ Drawer kit,
- ✓ Single Overshelf kit.
- ✓ Double Overshelf kit,
- ✓ 4" Backsplash,
- ✓ Set of 2" diameter casters, with lock provided on front set,
- ✓ Electrical connection is 230 V / 1ph / 50 Hz (plug type varies).



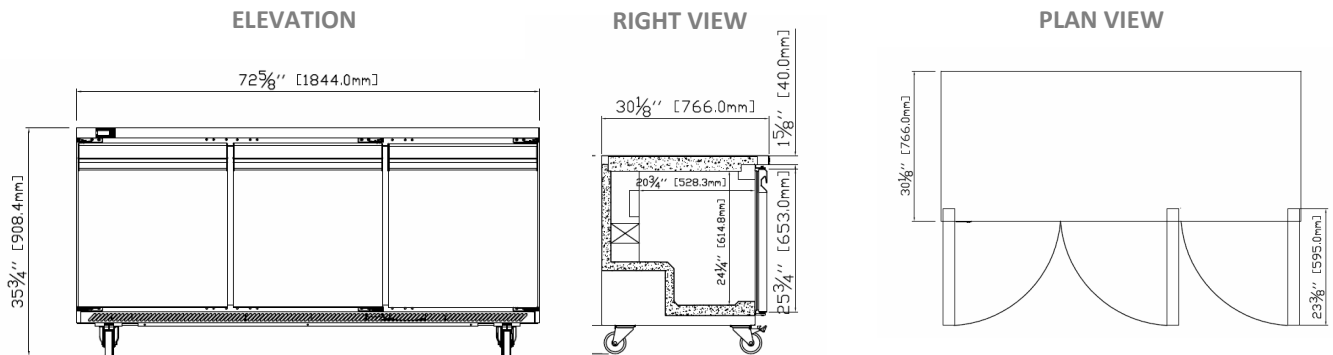
➤ **Electrical**

- Cord and NEMA 5-15P plug.
- Electrical connection is 115V / 1ph / 60 Hz.
- 15 AMP breakers required,



➤ **ETL Listed to UL471 Standard and Sanitation classified to NSF7.**

PLAN VIEW



ETL LISTED TO UL471 STANDARD AND SANITATION CLASSIFIED TO NSF7 - WE RESERVE THE RIGHT TO CHANGE SPECIFICATIONS WITHOUT PRIOR NOTICE



Infrico USA Corp.
1409 N.W. 84th Avenue
Doral, FL 33126
1.305.777.9599 Office
1.305.777.9598 Fax

www.infrico.us
sales@infrico.com

APPROVALS: _____ AVAILABLE AT: _____