

Standard features:

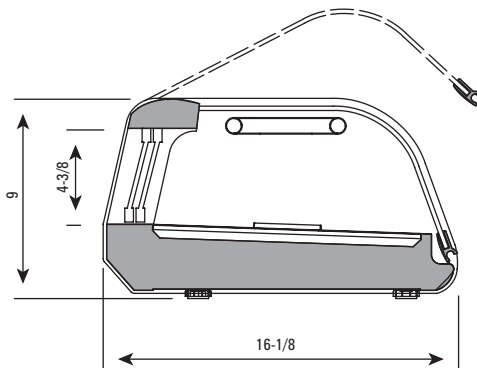
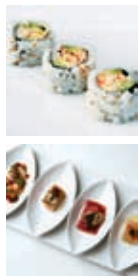
- **Exterior:** Profile decoration of silver anodized aluminium
- **Interior:** 300 series stainless steel. LED lighting in the top profile
- **Insulation:** High density CFC free polyurethane foam.
- **Doors:** Suspended sliding rear doors.
- **Refrigeration:** Digital controller. Ventilated condensation system. Cooling plate and gravity coil.
- **Electrical:** Cord and NEMA 5-15P plug. Electrical connection is 115V / 1ph / 60Hz.



Only exposure previously refrigerated product
Remove the product and disconnect daily



VSU 6 P



VSU



MODELS	DIMENSIONS O/A INCHES			REF.	TEMP. RANGE	CAPACITY (CU. FT)	COND. UNIT H.P.	CASE AMPS 115 V.	WEIGHT IN LBS.		FULL PRICE
	W	D	H						CRATED	UNCRATED	
VSU 4 P	50	16-1/8	9	134a	30° / 34°F	.56	1/8	3.2	92	77	
VSU 6 P	63-3/4	16-1/8	9	134a	30° / 34°F	.84	1/8	3.4	132	103	
VSU 8 P	77-5/8	16-1/8	9	134a	30° / 34°F	1.14	1/8	3.8	171	152	

