

FLAT®

engineering stability

New!
DON'T
GET MAD.
GET EQUAL.

ELIMINATE WOBBLY & MISALIGNED TABLES



From the inventors of FLAT® table bases -
stabilize and **align** your **existing** tables with FLAT Equalizers.

FLAT®
Equalizers

- ✓ **Stabilizes** tables with a press of the tabletop
- ✓ Internal **locks** provide unrivalled stability
- ✓ Enables the **alignment** of table tops
- ✓ Independently tested by **FIRA**
- ✓ **Exceeds** - international standards for **Stability, Strength, Durability & Safety**
(BS EN 581-1:2006 & BS EN 581-3:2017)
- ✓ **Install in seconds.** No tools required
- ✓ **Saves** you **time, money and frustration** while **improving** your **customers' experience**



We know how difficult it can be to create a 'great' dining experience; operators have enough to worry about without the tables causing ongoing problems for both staff and customers. Avoid customer complaints, frustrated staff, wasted time, compensating customers for spilled food and drink and suffering the image and brand damage that wobbly tables cause.

Here at FLAT - we've developed our groundbreaking **FLAT Equalizers**. Much of our award-winning hydraulic technology is incorporated into these self-stabilizing feet for **your existing or new table bases**.

www.FlatTech.com | CustServ@FlatTech.com | 855-999-3528

FLAT® Equalizers

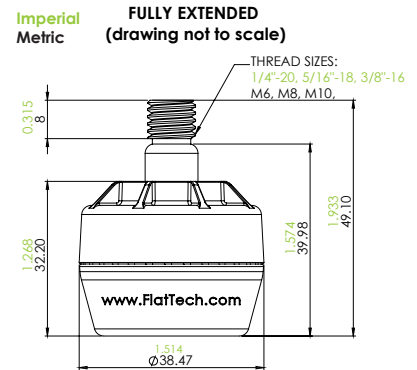


FLAT Equalizers allow operators to **stabilize tables with just a press of the tabletop**. Equalizers adjust up to 1/4" (6mm) and lock in place to stabilize the table, creating a great dining experience. You can also take advantage of FLAT's unique tabletop alignment capabilities. By tilting or lifting the tabletop in the direction of the adjoining top, the feet adjust, helping to **create an aligned surface**.

FLAT Equalizers are made from the most robust materials to protect against impact and corrosion. They **exceed international standards for stability, strength, durability and safety** (BS EN 581-1:2006 & BS EN 581-3:2017)

The reinforced plastic foot, houses a stainless steel thread, which comes in a variety of sizes (metric and UNC) to fit almost any table with existing screw-in feet. The thread compresses into the foot activating the hydraulic stabilization technology within.

To install Equalizers simply **remove the existing feet** from your tables and **replace them with Equalizers** of the same thread size. Use our thread guide below if you are unsure of your thread size. Place your foot's thread over the images to determine the size.



The height of the Equalizer reduces as it compresses when installed under the table.

UNC (Imperial) Thread Sizes (Generally used in the USA)			Metric Thread Sizes (Generally used outside of the USA)		
1/4"-20 <small>Most common size in USA</small>	5/16"-18	3/8"-16	M6	M8 <small>Most common size outside of the USA</small>	M10

Download and print this PDF as 'a guide' for measuring the threads of your existing table feet.
 ** Please print with no sizing adjustments (actual size) or edit, print directly from Adobe Reader 'as is' for best results **.

5.1"/13cm (measure this line to check scaling)