



PROJECT NAME: \_\_\_\_\_

LOCATION: \_\_\_\_\_

ITEM: \_\_\_\_\_ QTY: \_\_\_\_\_

MODEL: \_\_\_\_\_

# SRCM SERIES CHEESEMELTERS

Sierra's SRCM Series is a gas powered Cheese Melter that is built with Sierra quality and power in mind. It has a fully stainless exterior that will keep its shine for years. The interior is aluminized steel and the unit comes with a nickel plated shelf that has three adjustable positions. The SRCM also has a full width removable drip pan to make clean-ups easier. *4" stainless steel counter-top legs are optional.*



SRCM-36

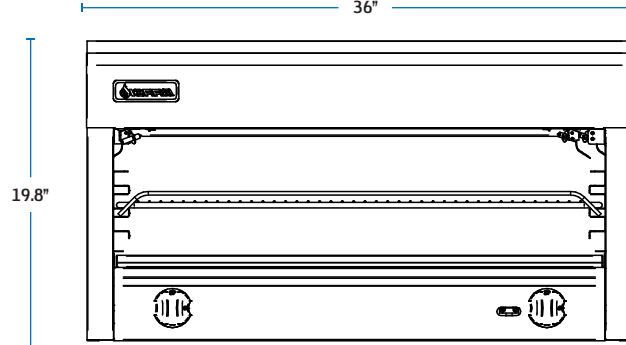
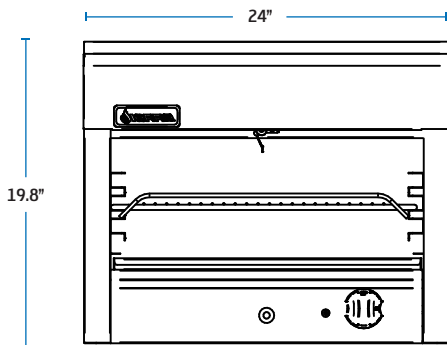
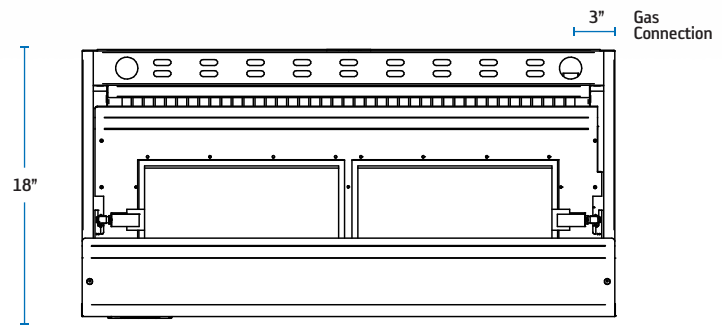
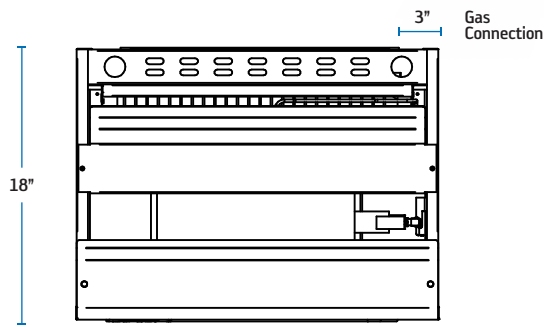
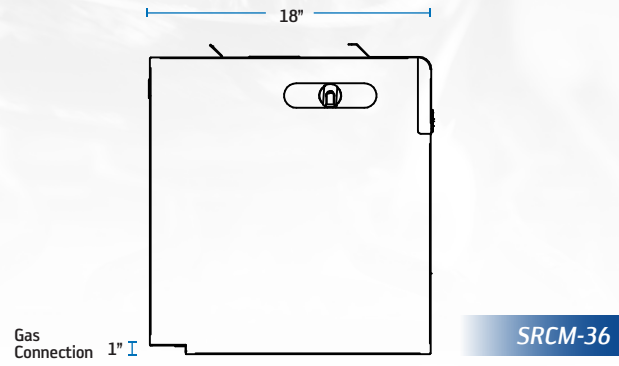
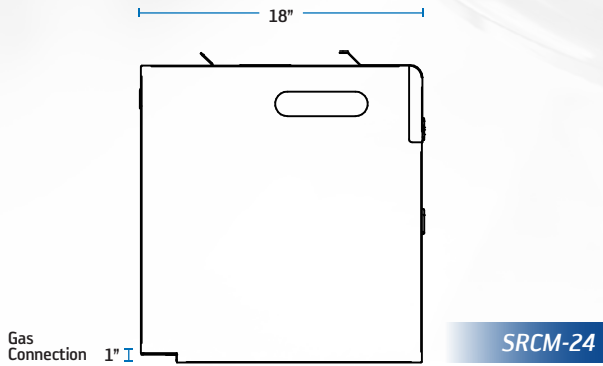
The included wall mount brackets allow positioning the cheese melter on a wall for easy access and to save counter space.



\*4" stainless steel counter-top legs or range mount kit are optional.

## STANDARD FEATURES

- 🔥 Wall mounted brackets included for easy wall mounting
- 🔥 Rapid Fire ceramic infrared tile burners
- 🔥 Each burner is individually controlled
- 🔥 Three adjustable rack positions
- 🔥 Fully stainless steel exterior
- 🔥 Ignition by standing pilot
- 🔥 Drip pan is easily removed for cleaning
- 🔥 The SRCM is shipped from the factory, ready for natural gas installation. An LP conversion kit is included with each unit



## SPECIFICATIONS

MODEL NUMBER	EXTERNAL DIMENSIONS (WxDxH)	NUMBER OF BURNERS	BTU'S PER BURNER	TOTAL BTU	NET WEIGHT	SHIPPING WEIGHT
SRCM-24	24" X 18" X 19.8"	1	20,000	20,000	95 LBS	105 LBS
SRCM-36	36" X 18" X 19.8"	2	20,000	40,000	150 LBS	160 LBS

**Warranty:** 12 months parts & labor.

**Gas Connection:** 3/4" NPT on the right hand rear of the appliance. The pressure regulator (supplied) is to be connected here by the installer.

**Gas pressure:** 5"W.C. - Natural Gas | 10"W.C. - Propane

**Combustible Clearances:** For use in non-combustible locations | Non-combustible Clearances: 0 inches sides, 0 inches rear  
Specify type of gas and altitude, if over 2,000 feet, when ordering.

**SIERRA RANGE** is a registered trademark of **MVP Group**.

Due to continuing product development, to ensure best possible performance, the specifications are subject to change without prior notice.

