

PRODUCT NAME: _____ LOCATION: _____

ITEM: _____ MODEL#: _____



ABCBRM24 Radiant
ABCBLG24 Rock
Gas Charbroilers

Powerful, high performance Gas Charbroilers feature dual wall construction, 40,000 BTUs in a U-shaped burner set every 12" and providing flame every 6".

Adjustable heavy-duty cast iron grates preserve food's natural tastes with the flavor drip edge. Available in either char rock or stainless steel radiant configurations.

36" Manual Gas Charbroilers
also available
ABCBRM36 Radiant
ABCBLG36 Rock



FEATURES LIST

Model	Configuration	UPC
ABCBRM24	24" Radiant	669452986005
ABCBLG24	24" Rock	669452976006
ABCBRM36	36" Radiant	669452987002
ABCBLG36	36" Rock	669452977003

SPECIFICATIONS

- Stainless steel, dual wall construction
- 24" and 36" widths
- Configure as stainless steel radiant, rock or combination
- Front access adjustable pilots
- Cool-to-touch front edge
- Heavy-duty cast iron grates adjust to angled or flat position
- Removable crumb tray
- Heavy-duty, high performance U-shaped burners (40,000 BTUs per burner)
- Unit ships Natural Gas with LP conversion kit included
- 4" heavy-duty, stainless steel legs with non-skid feet
- Regulator included

OPTIONAL ATTACHMENTS/ACCESSORIES

Additional and replacement rock/radiant kits are available. Contact Centaur for these items.

WARRANTY

One-year parts and labor

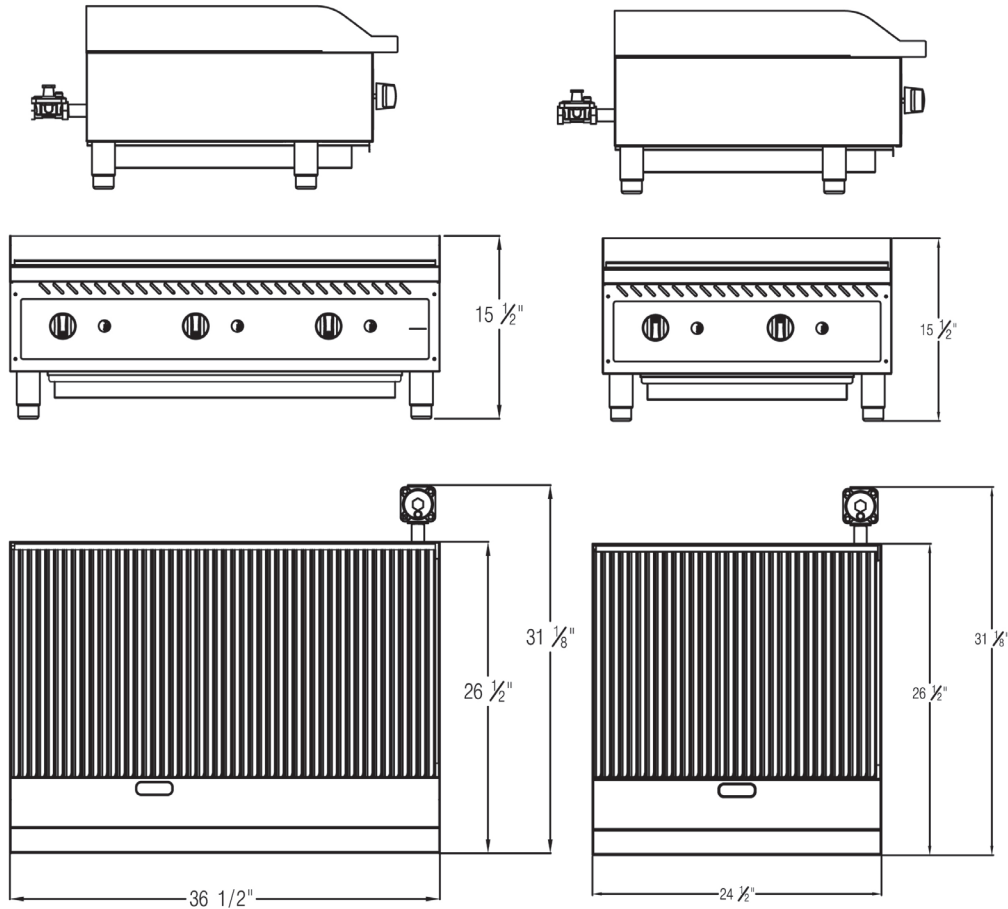
Specifications subject to change without notice

Approvals: c ETL us

PLAN VIEW

Models
 ABCBRM36 Radiant
 ABCBLG36 Rock

Models
 ABCBRM24 Radiant
 ABCBLG24 Rock



Printed in U.S.A. 4-2012

DIMENSIONAL DATA

Model	UPC	Cooking Area	Configuration	# of Burners	BTUs Per Burner	Total BTUs for Unit	Unit W X D X H	Shipping Weight
ABCBRM24	669452986005	448 sq. inches	24", Radiant	2	40,000	80,000	24.5" x 29" x 15.5"	153
ABCBLG24	669452976006	448 sq. inches	24", Rock	2	40,000	80,000	24.5" x 29" x 15.5"	143
ABCBRM36	669452987002	672 sq. inches	36", Radiant	3	40,000	120,000	36.5" x 29" x 15.5"	220
ABCBLG36	669452977003	672 sq. inches	36", Rock	3	40,000	120,000	36.5" x 29" x 15.5"	209

Gas products ship Natural Gas ready and are field convertible to Liquid Propane gas. Cast iron grates, rock/stainless steel radiants, gas regulator, crumb tray, and LP conversion kit included in shipment.



40,000 BTUs per burner