

PRODUCT NAME: **30-Dog Roller Grill** LOCATION: _____

ITEM: _____ MODEL: _____



ABRG30
Roller Grill-30



SN10-ABRG30
Food Shield
(Sold Separately)

FEATURES LIST

Model	UPC
ABRG30	814387010367
SN10-ABRG30	669452010304

SPECIFICATIONS

- Electric bench top roller grill
- 11 non-stick rollers
- Stainless steel construction
- Convenient front and back temperature controls for cooking and warming
- Individual heating elements for each roller
- Individual 360° roller rotation
- Removable drip tray
- Non-slip rubber feet
- Attached power cord and NEMA plug (5-15P)

STANDARD FEATURES

Applications

Cooks juicy hot dogs, bratwursts, and sausages
ABRG30: 510* hotdogs/franks per hour

Capacity

Model: ABRG30 - 30
Model: SN10 - Food shield, NSF approved

Sold Separately

- SN10 - ABRG30 Food shield

**Hourly capacity based on non-frozen product*

WARRANTY

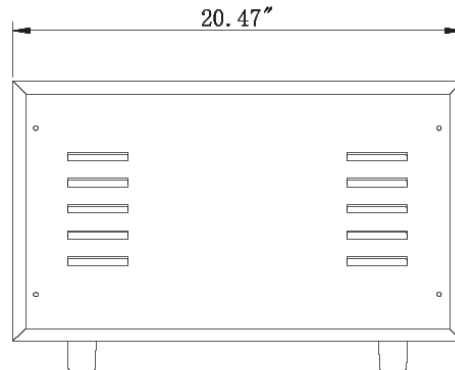
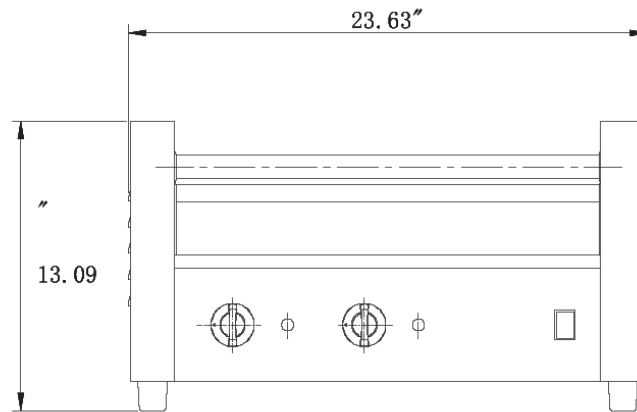
One-year limited warranty

Specifications subject to change without notice

Approvals: NSF, ULus



PLAN VIEW



Plug Type - NEMA 5-15P



Printed in U.S.A. 6-2013

DIMENSIONAL DATA

Model	UPC	Capacity	Controls	W X D X H	(hot dogs/hr*)	Voltage	Watts	Plug Type	Amps	Cord	Weight
ABRG30	814387010367	30 dog	1	23.6" x 20.5" x 13.1"	510	120V	1430W	5-15P	11.9	48"	40 lbs.
SN10-ABRG30	669452010304	N/A	N/A	24" x 20.9" x 8.7"	N/A	N/A	N/A	N/A	N/A	N/A	4 lbs.

*Hourly capacity based on non-frozen product