

PRODUCT NAME: _____ LOCATION: _____

ITEM: _____ MODEL: _____



FEATURES LIST

- Soup and sauce warmer
- 10 quart capacity
- Steel, black powder-coated body with aluminum lining
- Removable stainless steel soup pot
- Attached, hinged, stainless steel lid
- 400 watts, 120V for warming
- Overheat protection
- Control knob with 12 temperature settings
- Stable round base
- Food labels supplied
- 4½-foot power cord

Warranty

- One-year limited warranty

Specifications subject to change without notice

Approvals:

For Indoor Use Only

Electrical:
 ABSKB1 - 120V, 400W, 3.5 amps

Cord and Plug: 4½-foot flexible, three-wire cord with ground plug (5-15P).

Standard Equipment: Standard equipment includes black powder-coated kettle with removable stainless steel pot, attached, hinged stainless steel lid and 12 temperature settings with overload protection.

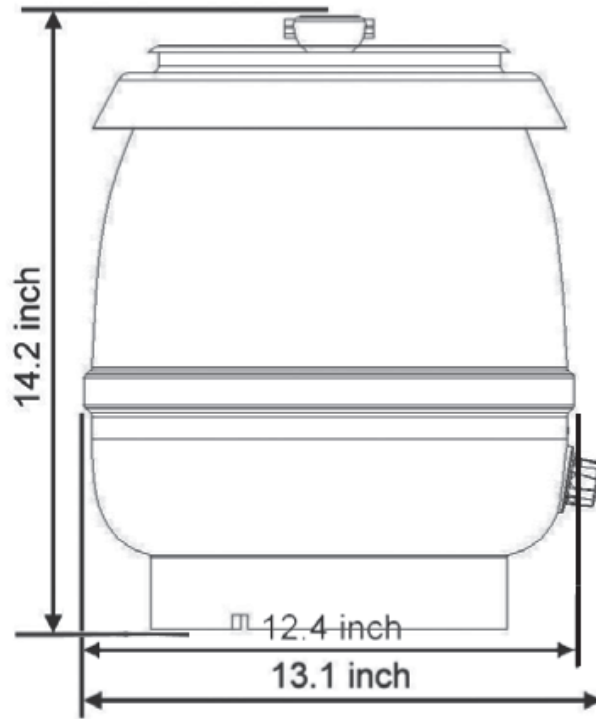
Cookware
Suitable cookware includes :
 Stainless steel pot only. Do not use other inserts, pots or pans in this unit.

Applications:

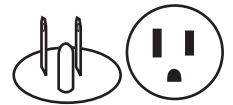
- Soup and light sauce-type products in buffets, serving stations, prep areas, etc.
- Prepare product on range top and use soup kettle for serving and merchandising
- Increase your menu selection/ sales by adding soup
- “Plug in and serve”



PLAN VIEW



Plug Type - NEMA 5-15



DIMENSIONAL DATA

		ABSKB1		
Capacity: 10 quarts	Dimensions: Foot Print = 13.1" x 14.2" (33.3 cm x 36.1 cm) Overall Length = 13.1" (33.3 cm) Overall Width = 12.4" (31.5 cm) Overall Height = 14.2" (36.1 cm) Diameter = 13.1" (33.3 cm) round	Shipping Information: Net Weight: 10 lbs (4.5 kg) Shipping Weight: 13.5 lbs (6.2 kg) Shipping Dimensions: 14"W x 16.4"D x 14.5"H (35.5 cm x 41.5 cm x 35.5 cm)	Printed in U.S.A. 2-2011	