

## Specifications

### Description

This electric glass washer is made of heavy duty construction with a powerful 1/3 HP motor. It easily removes lipstick and other stains on the glass surface. Quick and easy to install and requires no special plumbing or electrical hook-ups to use. The unit runs off an 115V circuit that draws only 4.3 Amps. Comes complete with four 7" brushes and one 8.75" center brush. Overall dimensions are 19"H x 8.75"W x 15.75"D. CE. This item is backed by a 1 year limited warranty.

### Base Construction

- Base is made of heavy duty stainless steel with rubber feet for stability
- Brass bearings and nylon gears are inside the base
- Removable rubber strip keeps water out of the base and allows for easy access to gears when needed

### Motor

- Powerful 1/3 Horsepower motor mounted up high to keep away from water
- Internal thermal overload in motor prevents overheating if the motor temperature exceeds 150°F
- Front mounted On/Off switch for easy operation when in use

### Electrical

- 115V, 1/3 HP, 4.3 Amps
- 7' power cord with NEMA 5-15 plug

### Brushes

- Brushes are included with the glass washer and are interchangeable with all other major brand's brushes
- One center brush measures 8.75" tall overall
- Four side brushes measure 7" tall overall

### Certifications/Approvals



## Bar Glass Washer - Upright Non-Submersible

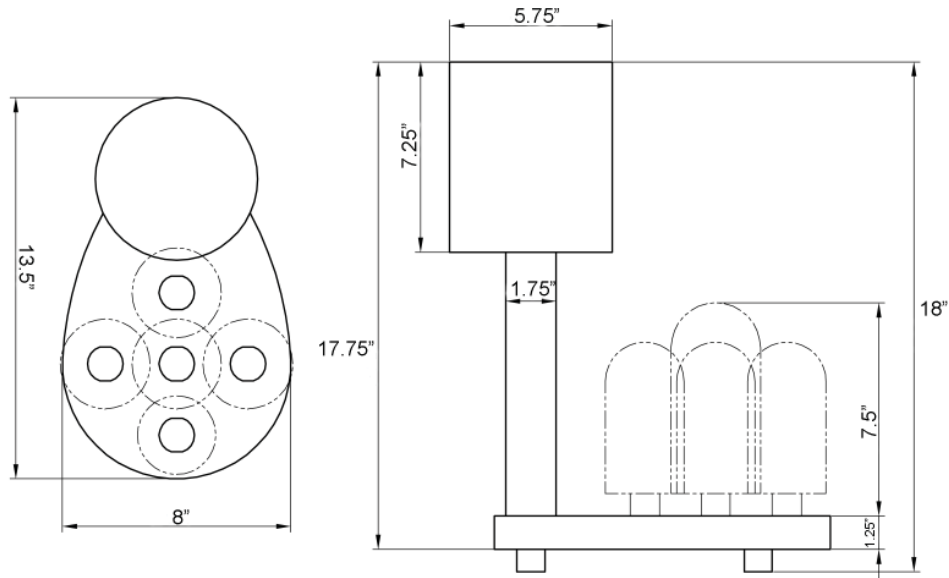
### Model:

BAR5EL




## Bar Glass Washer - Upright - BAR5EL

### Plan View



### Specifications

| Item Number | Description  | Volts | Horsepower | Amps | NEMA Plug   |
|-------------|--------------|-------|------------|------|---|
| BAR5EL      | Glass Washer | 115V  | 1/3 HP     | 4.3  | 5-15P  |

### Shipping Info

| Item Number | Box Dimensions    | Item Dimensions     | Gross Weight | Net Weight |
|-------------|-------------------|---------------------|--------------|------------|
| BAR5EL      | 9"W x 16"D x 19"H | 8"W x 13.5"D x 18"H | 27.5 lbs     | 25 lbs     |