

Specifications


Description

This non-insulated heater proofer cabinet is ideal for all your food holding and proofing needs. Constructed of non-corrosive aluminum throughout the cabinet that allows you to hold prepared foods at proper serving temperatures for extended periods of time. The air baffle and circulating air blower provide even heat distribution throughout the cabinet. A removable control drawer with LED thermostat gives you complete control over the operating temperature and humidity range and doesn't require opening the door to use. This item comes standard with 5" heavy duty casters and a clear lexon door with aluminum frame. It ships knocked down and is easy to assemble (Tools and hardware kit included). The overall dimensions of this unit are 21"W x 31.25"D x 67.25"H. The cabinet dimensions are 18"W x 26.25"D x 52.75"H which will allow you to fit 36-18" x 26" pans (sold separately). The heating temperature range for this item is 80°F - 185°F and a humidity proofing range of 30% - 100%. It is CE certified and is backed a 1 year replace or repair warranty.

Construction

- Cabinet made of non-corrosive aluminum
- Clear lexon door with aluminum frame
- Ships knocked down and easy to assemble
- 5" heavy duty swivel castors with brakes
- Fits 36 - 18" x 26" pans (not included)

Control Drawer

- Removable control drawer
- Air baffle and circulating air blower provides even heat throughout the cabinet
- Easy to use controls that don't require opening the door
- Flip switch makes it easy to switch from heat to proof modes. Temperature and humidity control dials allow for accurate settings.
- Easy to read LED thermostat
- 120V, 1800W, 15 Amps, NEMA 5-15 plug 

Door

- Clear lexon door with anodized aluminum frame that will not dull
- Door lifts off for easy cleaning and accessibility

Heater Proofer Cabinet Non-Insulated

Models:

- HPU-1836 - Complete Set
- DRWRHP - Cabinet Only



(Pans sold separately)

Accessories (Sold Separately)

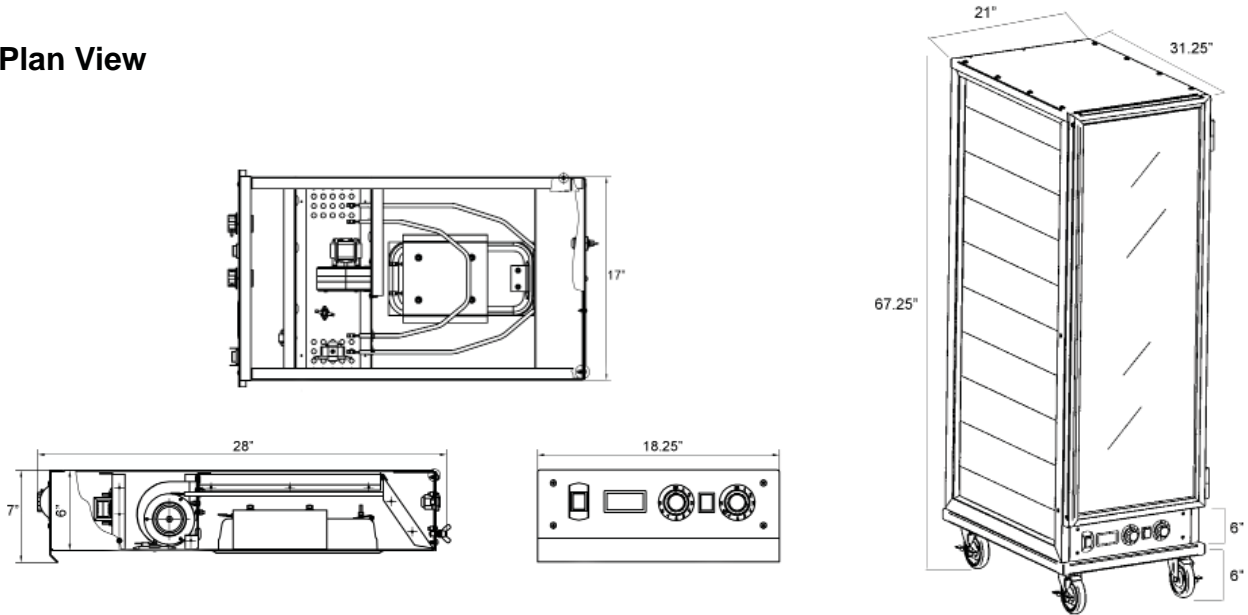
- Full size 18"x26" aluminum bun pan

Certifications/Approvals



Heater Proofer Cabinet - DRWRHP

Plan View



*52" total depth with door open

Specifications

Model Number	Description	Wattage	Voltage	Amps
HPU-1836	Heater Proofer Complete Unit	1800W	120V/60Hz	15
DRWRHP	Cabinet w/Door	N/A	N/A	N/A

Item Number	Dimensions	Gross Weight	Net Weight
HPU-1836	21"W x 31.25"D x 67.25"H	148 lbs (67kgs)	112 lbs (51kgs)
DRWRHP	18"W x 26.25"D x 52.75"H	127 (57.5kgs)	94 lbs (42.5kgs)