

Toastmaster® Gas Char-Broilers

Lava Rock TMLC24 TMLC36 TMLC48Radiant TMRC24 TMRC36 TMRC48

TMRC36

DESCRIPTION

Toastmaster radiant and lava rock gas char-broilers are designed to be the most economical and flexible countertop char-broiler in the food service industry. They offer unsurpassed performance, combining a proven control system with Toastmaster quality and durability. Available in three different sizes - 24", 36" and 48".

SPECIFICATIONS

Gas char-broilers are constructed with stainless steel front panel and reinforced aluminized steel side panels. Every 12" (30.5 cm) an individually controlled, corrosion resistant, burner supplies up to 30,000 BTU/hr (8.8Kw) of heat. Cooking surface is heavy-duty cast iron with two grid mark widths on opposite sides. Cooking surface can be adjusted for level or slanted grilling. Standing pilot is provided. A full width water pan is provided. Control knobs are protected by a stainless steel bull nose front. Char-broilers are supplied with 4" (10.2 cm) high die cast nickel plated legs with a 1-3/8" (3.5 cm) adjustment. Gas connection is 3/4" N.P.T. (male) and a convertible regulator is supplied as well as a kit for conversion to LP gas. Units are UL Gas Certified for U.S. and Canada. UL listed to NSF4 standard. Printed in the U.S.A.

WARRANTY

These units come with a one [1] year warranty for parts and labor.

FEATURES

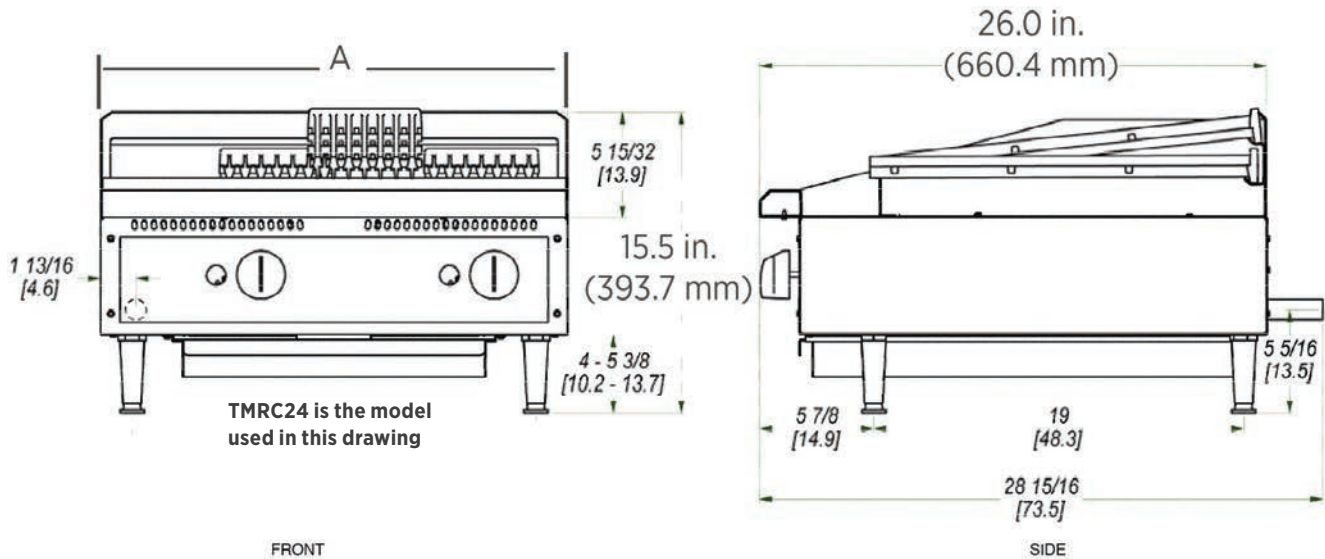
- 30,000 BTU U-style steel burners every 12" of width
- Stainless steel top, pan and front
- Heavy-duty cast iron grates can be individually positioned (flat or slanted) and are reversible with a thin side for searing and a thick side for more delicate menu items
- Heavy gauge stainless steel radiants contoured for even heat distribution
- Large capacity stainless steel water pan
- Stainless steel, 2-3/4" high tapered splash guard
- Cool-to-the-touch stainless steel bull nose front provides knob protection and comfortable work zone
- Units are shipped Natural Gas. All units come with a convertible regulator to switch from natural gas to LP gas
- 4 " adjustable legs
- Lava rock units include 1 bag of lava rock per 12" section

OPTIONS & ACCESSORIES

- Equipment stands
- Replacement lava rock (one 5 lb. bag needed per every 12")

CERTIFICATIONS





CLEARANCES

These units can be installed on non-combustible countertops using the provided four [4] inch (102 mm) legs or on a combustible floor using a minimum 27-inch (636 mm) tall stand. The back and both sides must be at least three [3] inches (76 mm) from any combustible surface.

MODEL	HEIGHT ¹ in. (mm)	WIDTH [A] in. (mm)	DEPTH in. (mm)	BTU ²	GRATE DEPTH	APPROX. SHIP WEIGHT	APPROX. WEIGHT INSTALLED
TMLC24 TMRC24	15.5 (393.7)	24 (609.6)	26 (660.4)	60,000	20"	186 lb. (84.4 kg)	153 lb. (69.5 kg)
TMLC36 TMRC36	15.5 (393.7)	36 (914.4)	26 (660.4)	90,000		230 lb. (104.4 kg)	192 lb. (87.2 kg)
TMLC48 TMRC48	15.5 (393.7)	48 (1,219.2)	26 (660.4)	120,000		350 lb. (158.9 kg)	299 lb. (135.7 kg)

¹Adjustable up to 1.625 in (41mm)

²A convertible regulator kit is supplied for LP gas conversion

Due to periodic changes in designs, methods, procedures, policies and regulations, the specifications contained in this sheet are subject to change without notice. While Star Manufacturing exercises good faith efforts to provide information that is accurate, we are not responsible for errors or omissions in information provided or conclusions reached as a result of using the specifications. By using the information provided, the user assumes all risks in connection with such use.