



FOODSERVICE EQUIPMENT

JOB _____ ITEM NO. _____

**Pop-Up Toasters
Bread & Texas Toast Toasters**

TP209, TP224, TP409, TP409, TP424, TP430

MODEL TP SERIES TOASTERS FEATURE:

- Solid state timer control(s)
- Electrical heating elements provide uniform heat and even toasting
- Operating lever(s) and color selection knob(s)
- Removable crumb tray

APPLICATION:

Commercial, electronic, pop-up food toasters are designed to uniformly toast bread, frozen waffles and many other foods.

General Information:

Commercial two and four slot pop-up type bread toaster has toasting slots in the top. **Each slot is 1 1/8" (28.6mm) wide x 5 1/4" (133mm) long** with toasting chambers equipped with oven guide wires and lowering rack.

HEATING:

Insulated ceramic etched foil heaters are installed on both sides of each toasting chamber.

CONSTRUCTION:

Construction is of formed and welded sheet steel. Finish is brushed stainless steel with a bright anneal (mirrored) finish on the front panel. A front pullout crumb tray is provided for easy cleaning.

ELECTRICAL:

Models are single phase. Toasters are equipped with a two pole switch that energizes the elements when the operating lever is depressed. Toasters are furnished with factory installed 36" cord with NEMA plug.

CONTROLS:

Each two-slot section is controlled by a lever operated mechanism, it is equipped with color selector knob coupled with solid state controls having temperature and voltage compensators. When operating lever is depressed, bread racks are lowered, and elements are energized simultaneously. At the end of the toasting cycle, elements are de-energized, and bread racks are automatically raised by a coil spring

CAPACITY:

The two slot toaster will toast 2 slices of bread per load; and up to 150 slices per hour.

WARRANTY:

Toastmaster Conveyor Toasters are covered by a **one year** parts and labor warranty.

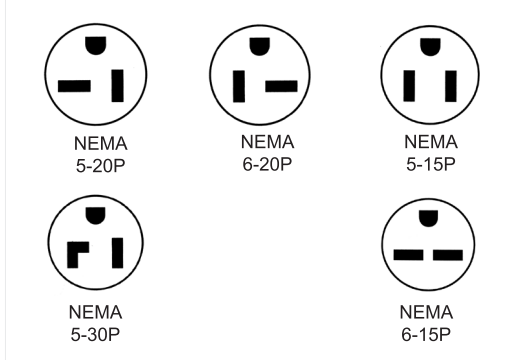


TP409, TP424, TP430



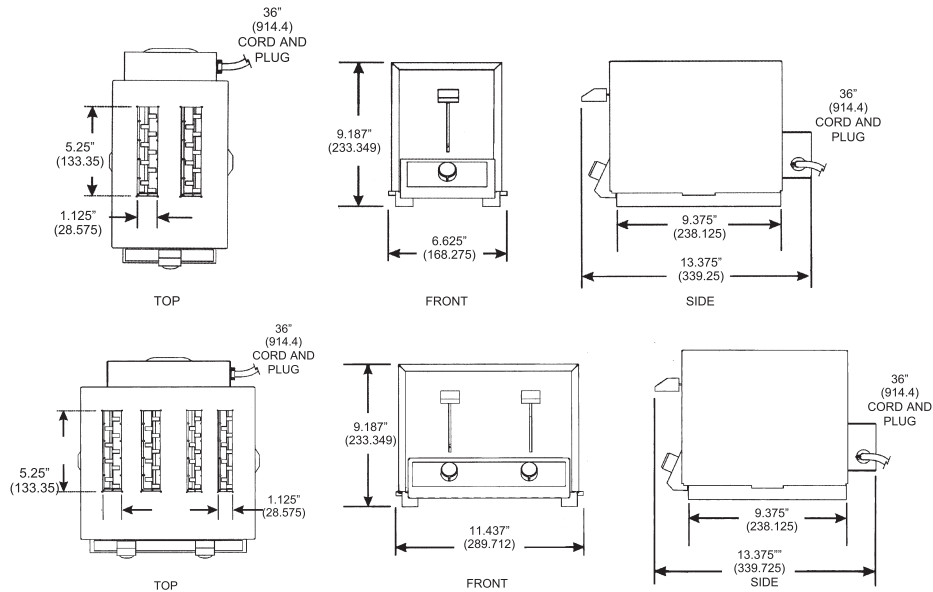
TP209, TP224

NEMA PLUGS:



Solid State Pop-Up Toasters • Bread & Texas Toast Toasters

TP209, TP224, TP409, TP409, TP424, TP430



	TWO SLOT			FOUR SLOT		
Model No.	TP209	TP224	TP409	TP409	TP424	TP430
Slots	2	2	4	4	4	4
Slices per Hour	150	150	250	250	250/300	300
1 Phase Supply	120V	208/240V	120V	120V	208/240V	208V
Current Draw	9.0 A	4.8/5.4 A	18.3 A	18.3 A	9.6/10.8 A	12.5 A
Rated Heat Input	1.1 kW	1.0/1.3 kW	2.2 kW	2.2 kW	2.0/2.6 kW	2.6 kW
Factory Cord & Plug	NEMA 5-15P	NEMA 6-15P	NEMA 5-30P [U.S. Only]	NEMA 5-30P [Canada Only]	NEMA 6-15P [U.S. & Canada]	NEMA 6-20P [Canada Only]
Slot Width	1 1/8"	1 1/8"	1 1/8"	1 1/8"	1 1/8"	1 1/8"
Slot Depth	5 1/4"	5 1/4"	5 1/4"	5 1/4"	5 1/4"	5 1/4"
Width	6 5/8"	6 5/8"	11 7/16"	11 7/16"	11 7/16"	11 7/16"
Depth	13 3/8"	13 3/8"	13 3/8"	13 3/8"	13 3/8"	13 3/8"
Height	9 3/16"	9 3/16"	9 3/16"	9 3/16"	9 3/16"	9 3/16"
Ship. Weight	12.3 lbs.	12.3 lbs.	21 lbs.	21 lbs.	21 lbs.	21 lbs.



TM103S/0815

Toastmaster, in line with its policy to continually improve its product, reserves the right to change materials or specifications without notice. Such revisions do not entitle the buyer to corresponding changes, improvements, additions, or replacements for previously purchased equipment.

INTENDED FOR COMMERCIAL USE ONLY. NOT FOR HOUSEHOLD USE.