

Half-Size Countertop Convection Oven

□XO-1N



XO-1N

DESCRIPTION

Toastmaster's XO-1N is the ideal oven for convenience stores, catering services, restaurants, and anywhere else in need of a . Compact and lightweight, yet able to cook to perfection a variety of product including appetizers, bakery goods, proteins, and prepared foods. The XO-1N is the smallest oven with the ability to hold up to four [4] half-size sheet pans.

SPECIFICATIONS

The XO-1N will have a body constructed of welded stainless steel. The unit will be 120 V, single phase, and will use 15.8 amps. The unit will come with a factory attached cordset with NEMA 5-20P plug. Units will feature electromechanical controls with pilot lamp for thermostat. Units will also utilize a microswitch fan motor cut-off. Units will be supplied with four 4-inch (102 mm) legs which must be installed during use. These units will also feature dual-pane, cool-to-the-touch door with a "Slam-Cam" handle.

WARRANTY

These units come with a one [1] year warranty for parts and labor.

FEATURES

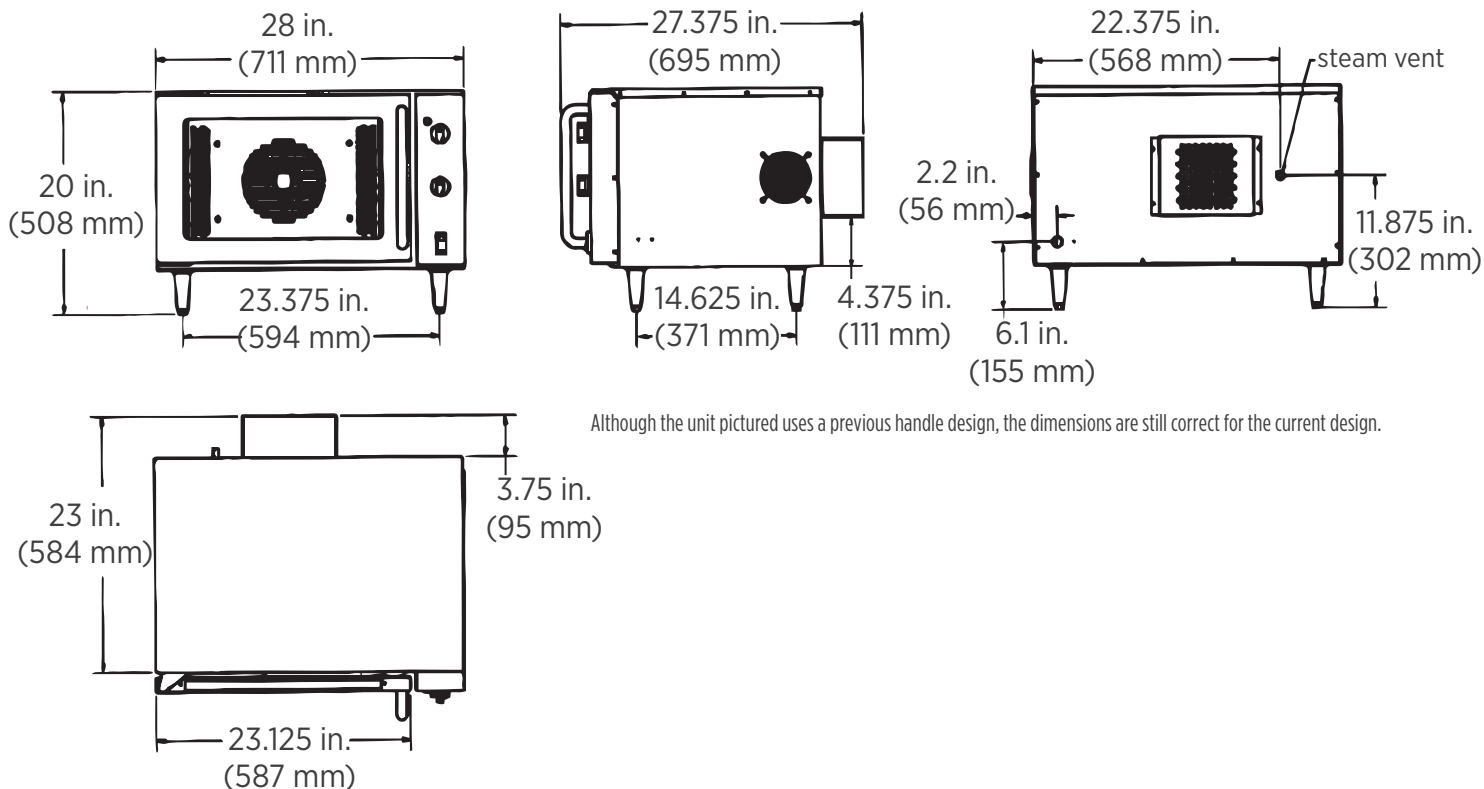
- Holds up to four half-size baking pans [with additional, optional racks]
- Compact size means minimal footprint and maximum portability for the amount of cooking power
- Stainless steel construction
- Dual-pane tempered glass, cool-to-the-touch door, silicone rubber gasket, and "Slam-Cam" door handle
- Electromechanical controls with pilot lamp for thermostat
- Microswitch fan motor cut-off

OPTIONS & ACCESSORIES

- Wire racks [part number for single rack—98-1227-A]

CERTIFICATIONS





Although the unit pictured uses a previous handle design, the dimensions are still correct for the current design.

CLEARANCES

The four [4] inch (102 mm) legs supplied with the unit must be installed during use.

The door will need approximately 24 inches (610 mm) of clearance in front of the unit to open.

MODEL	EXTERIOR DIMENSIONS			INTERIOR DIMENSIONS			VOLTS	AMPS	WATTS	NEMA PLUG	APPROX. SHIP WEIGHT	APPROX. INSTALL WEIGHT
	HEIGHT in. (mm)	WIDTH in. (mm)	DEPTH in. (mm)	HEIGHT in. (mm)	WIDTH in. (mm)	DEPTH in. (mm)						
XO-1N	20.0 (508)	28.0 (711)	27.375 (695)	11.6 (295)	18.1 (460)	13.25 (337)	120	15.8	1,900	5-20P	140 lb. (63.5 kg)	106 lb. (48.1 kg)



NEMA 5-20P

Due to periodic changes in designs, methods, procedures, policies and regulations, the specifications contained in this sheet are subject to change without notice. While Star Manufacturing exercises good faith efforts to provide information that is accurate, we are not responsible for errors or omissions in information provided or conclusions reached as a result of using the specifications. By using the information provided, the user assumes all risks in connection with such use.