



Keeping America Cool Since 1952

Leer Produce Box



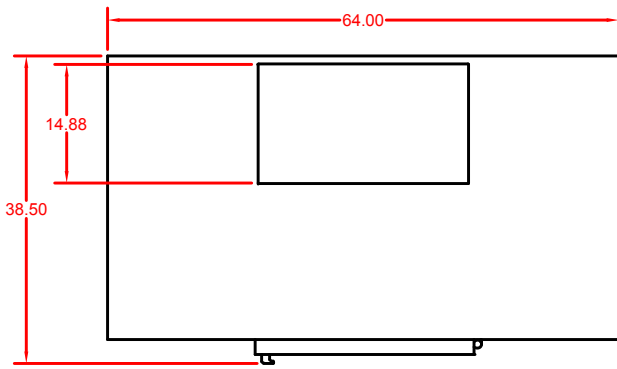
Maintains temperatures between 37° - 40° regardless of the ambient weather conditions, for optimal outdoor storage

Designed to allow additional storage to the food service industry

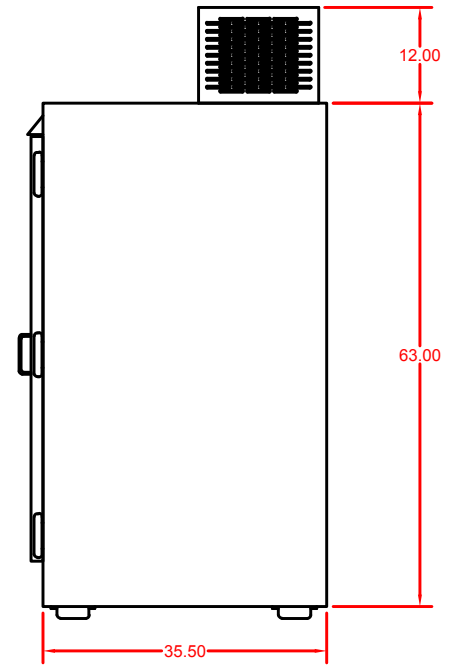
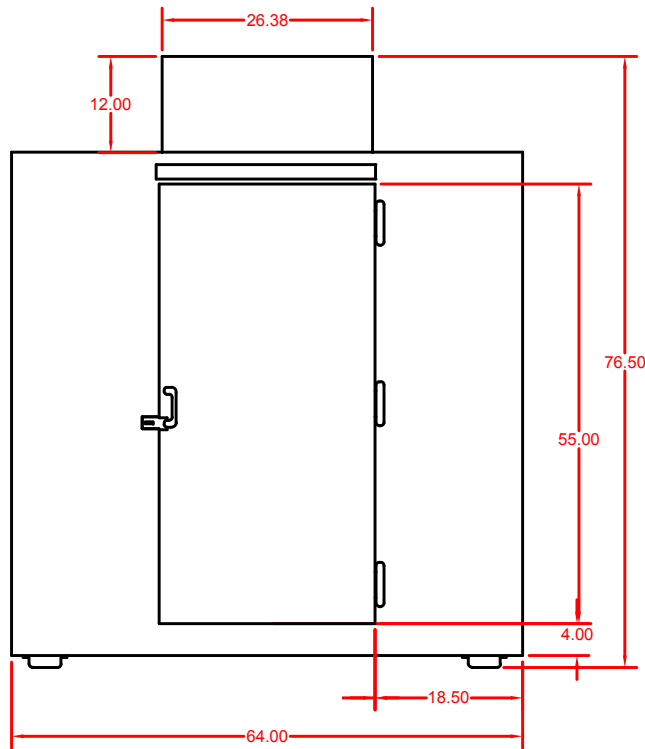
Large 55" x 27" door for easy loading and unloading

Customers can accept deliveries at all hours of the day

100, 75, and 65 cubic feet size options available (Model 65 shown)



100, 75, and 65 cubic feet size options available (Model 65 shown)



Masterlock lock box is mounted on the side of the merchandiser where it can be accessed

The combination code is user programmable

