



THERMAL FRESHTRAC™ (TFT)

64 OUNCE THERMAL DISPENSERS

MODELS: TFT64, TFT64D



TFT64
64 Ounce (1/2 Gallon)
Thermal Dispenser



TFT64D
64 Ounce (1/2 Gallon)
Decaf Thermal Dispenser

ITEM NO

PROJECT

DATE

HOW IT WORKS

The FreshTrac™ lid on our 64 ounce thermal dispensers have a built-in coffee quality timer and a volume indicator in one. Red and green LEDs blink to indicate the freshness and volume so it is easy to monitor.

LED Indicator Lights

- 1. Wake Up Mode** — When coffee starts flowing into the server, the LED lights blink alternating Green-Red-Green
- 2. Coffee is Fresh** — The green LED blinks every 6 seconds to designate the coffee in the server is fresh. The blinking green LED will continue for 50 minutes.
- 3. Warning Mode** — Green and red LED Lights alternately blink for 10 minutes.
 - a. When the timer is 10 minutes or less from expiration.
 - b. When volume in the dispenser is 24 oz. or less (+/- 4 oz.).
- 4. Time Expired and/or Dispenser is (nearly) Empty** — The red LED blinks every 6 seconds for 60 minutes when either of the conditions below are true:
 - a. The fresh coffee time has expired.
 - b. The coffee dispenser is (nearly) empty – 4 ounces or less.



CURTIS THERMAL FRESHTRAC™

SIGNALS, MONITORS, AND MANAGES COFFEE QUALITY AND VOLUME

The key to a well executed coffee program is consistently serving hot, fresh coffee every time. Monitoring the holding time and the amount of coffee in a dispenser is crucial to freshness and quality. Without proper management, coffee can get cold or stale from sitting too long. Even worse, dispensers can run out and customers have to wait for a new brew.

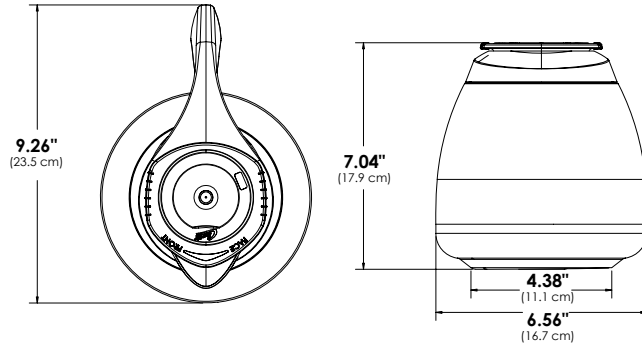
Curtis' Thermal FreshTrac™ is a simple visual system that communicates time and volume that's easy to see, **even from across the room**. The FreshTrac™ system is activated from the moment coffee is brewed into the dispenser to keep your coffee program on track.

FEATURES AT A GLANCE

- **Twin LEDs** — Enables you to easily check coffee quality – even from across the room.
- **Stand Alone Operation** — Curtis TFT requires no connection with the coffee brewer.
- **Universal Fit** — Curtis TFT is designed to fit existing models of Curtis 64 ounce CLXP Thermal Servers.
- **Brew-Through Convenience** — Maintains coffee flavor, temperature and quality.
- **Long Service Life** — Curtis TFT high-tech power module features a one-year performance guarantee.

TFT64 & TFT64D

64 Oz. Dispenser



DISPENSER SPECIFICATIONS

MODEL #	DIMENSIONS (H x W x D)	SHIP WEIGHT	SHIP CUBE
TFT64	7.04" x 6.56" x 9.26"	2.5 lbs.	0.38 cu. ft.
TFT64D	7.04" x 6.56" x 9.26"	2.5 lbs.	0.38 cu. ft.

SPECIFICATIONS SUBJECT TO CHANGE WITHOUT NOTICE



WILBUR CURTIS CO., INC.
6913 Acco Street, Montebello, CA 90640-5403
Telephone: 800-421-6150 · 323-837-2300
Fax: 323-837-2406
www.wilburcurtis.com

